



产品样册
Product Catalogue

SERVICE FIRST 服务第一



苏州富邦机械链传动制造有限公司
SUZHOU FUBANG MACHINERY CHAIN TRANSMISSION MANUFACTURE CO., LTD
苏州市富龙不锈钢链条厂
SUZHOU FULONG STAINLESS STEEL CHAIN FACTORY

电话 (Tel) : 0086-512-65411616

传真 (Fax) : 0086-512-65990916

邮编 (Zip) : 215144

地址 (Add) : 苏州市相城区北桥镇灵峰工业园生态路 6 号

No.6 Shengtai Rd, Lingfeng industrial park, Beiqiao town
Xiangcheng district, Suzhou, Jiangsu, P.R.C.



www.fulong-chain.com



www.fubang-chain.com

产品样册
Product Catalogue

2023

STAINLESS STEEL CHAIN
since 1997

COMPANY INTRODUCTION

企业简介 »

FUBANG MACHINERY
FULONG CHAIN



苏州富邦机械链传动制造有限公司成立于1997年，坐落于文化名城苏州市相城区，厂区面积16000平方米。历经20年不断开拓进取，发展为设计、制造、销售于一体的资深不锈钢链条制造企业，并与江南大学共同建立起技术研究合作中心。现为全国链传动标准化技术委员会及中国通用零部件工业协会会员单位。公司已通过ISO9001:2015、ISO14001:2015和GB/T9001-2016质量体系认证。

公司产品均符合GB、ISO、ANSI、DIN。产品主要涉及A标、B标精密滚子链、输送链、带附件特殊链、焊接链、板式链及链轮，材质采用不锈钢304、310、321、316、410、420、431、630、2205等，广泛运用于食品加工、医药化工、电子、家电、汽车制造、机械、冶金、污水处理等行业。并可根据客户图、样专业化定制。产品具有强度高、耐腐蚀性强、耐磨性强、使用寿命长等特点。公司在国内市场享有盛名，产品出口欧美、东南亚等地区。

公司秉承服务第一、勇于变革、满足客户需求之理念，始终坚持为国内外客户提供优质服务。

Suzhou Fubang Machinery Chain Transmission Manufacture Co., Ltd., called Fubang, was founded in 1997. Fubang was located in Xiangcheng District, Suzhou with factory area 16000 m². Over 20 years development, Fubang not only has become a professional manufacturer which specializes in design, production and sale of stainless steel chains, but also has set up R&D co-operation center with Jiangnan University. Now Fubang is a member of National Chain Transmission Standardization Technology Committee and China General Assembly Parts Industry Association and has obtained ISO9001:2015/ISO14001:2015 and GB/T9001-2016 quality system certificate.

Fubang's products are mainly related to standard A, standard B precision roller chain, conveyor chain, special chain with accessories, welding chain, leaf chain and sprocket. All products are GB、ISO、ANSI、DIN qualified, with materials used with stainless steel like 304,310,321,316,410,420,431,630,2205, etc. The products are widely used in food processing, pharmaceutical and chemical industries, electronics, household appliances, automotive manufacturing, machinery, metallurgy, sewage treatment and other industries. Fubang's products can be customized according to the customers' drawings and samples. The products has the characteristics of high strength, strong corrosion resistance, strong abrasion resistance and long service life. The company enjoys a high reputation in the domestic market, and its products are exported to Europe, America and Southeast Asia.

Fubang adheres to the concept of service first, courage to change, to meet customer needs, always adhere to provide quality services for domestic and foreign customers.

制造及检测设备

Manufacturing and Testing Equipment



链板分选
Plate sorting



错漏多件检测
CAM inspection



销轴分选
Pin sorting



压出力检测
Push off force testing



轮廓仪
Profile inspection



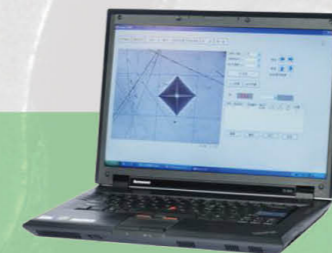
链长仪
Chain length inspection



预压机
Preloading



维氏硬度仪
HV hardness



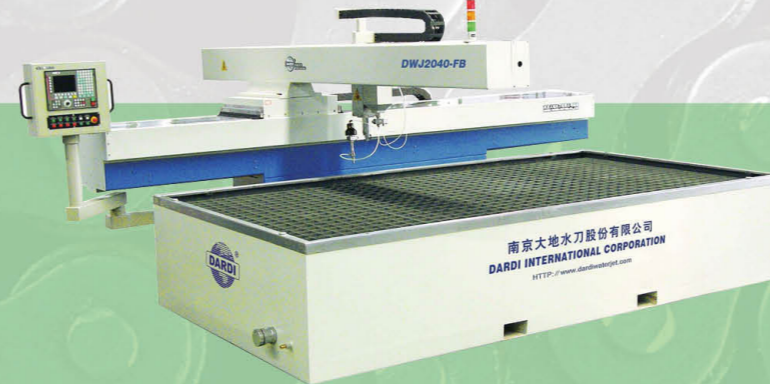
光谱仪
Spectrometer

特种链专用制造及检测设备

Manufacturing and Testing Equipment for Special Chain



8000W 特高功率激光机
8000W super high power laser machine



超高压数控水切割机
Ultra-high pressure CNC water cutting machine



精密数控车床
Precision CNC lathe



光谱仪
Spectrometer



特种链卧式装配线
Horizontal assembly line for special chain

制造现场

Manufacturing Site



制造现场

Manufacturing Site



Accurate Measuring and Sorting For Plates
链片精度检测智能分选



Process Management
流程管理

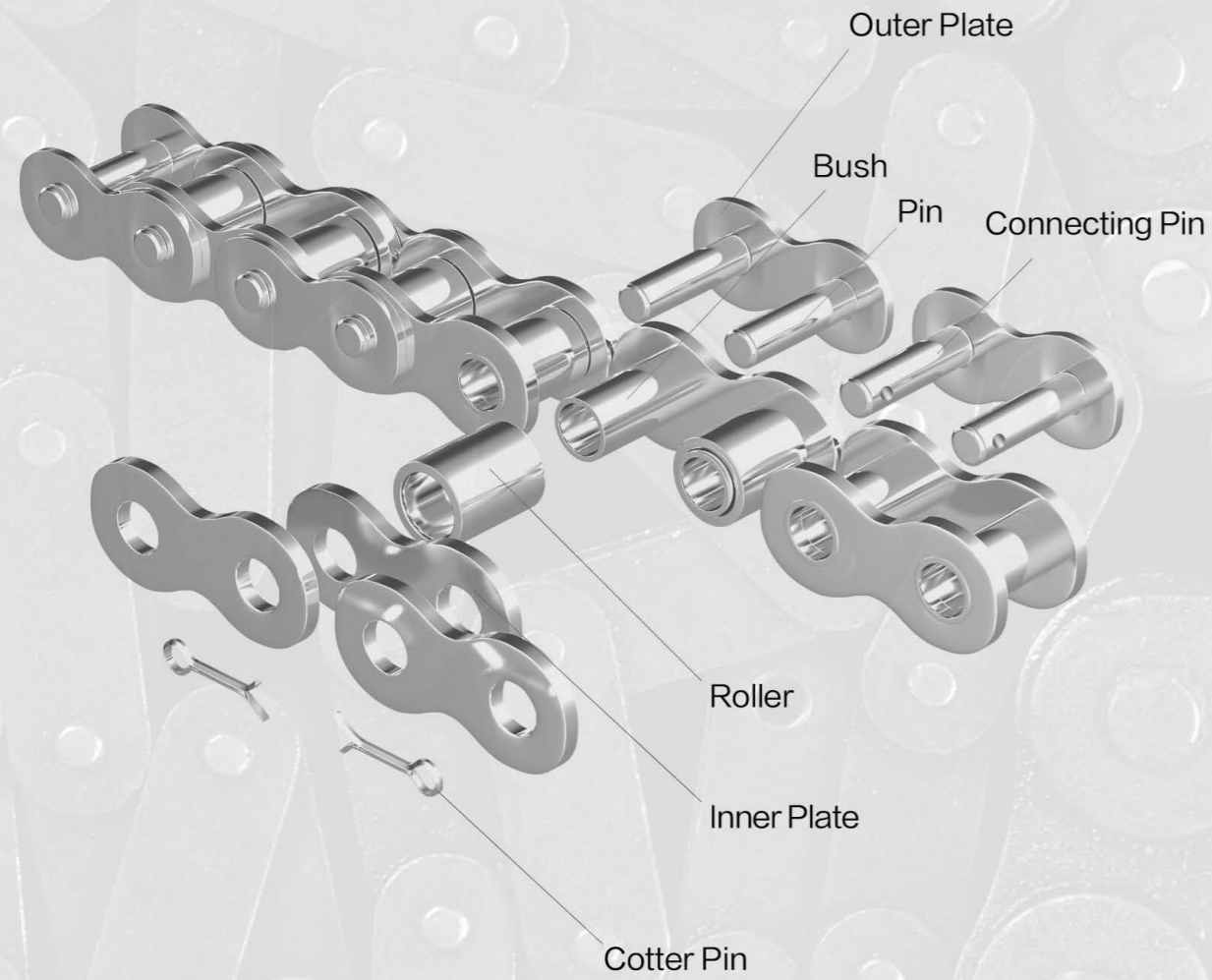


Lean Site
精益现场



产品分解图

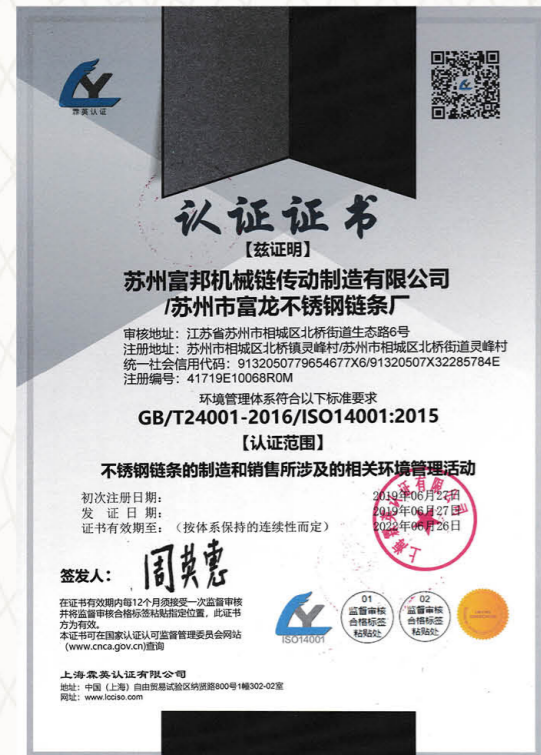
Product Breakdown Structure



CONTENTS

目录 >>

传动链 Driving chain		16-30
A 系列短节距精密滚子链 Short pitch precision roller chain (A series)		17-19
B 系列短节距精密滚子链 Short pitch precision roller chain (B series)		20-22
加重系列滚子链 Heavy duty roller chain		23-26
双节距传动链 Double pitch driving chain		27
其他单排滚子链 Other single roller chain		28
侧弯链 Side bow chain		29
推窗用防弯链 Anti-Sidebow chain for pushing window		30
输送链 Conveyor chain		31-99
A 系列短节距直板精密滚子链 Short pitch precision roller chain with straight plate (A series)		32-34
B 系列短节距直板精密滚子链 Short pitch precision roller chain with straight plate (B series)		35-37
短节距带加长销输送链 Short pitch conveyor chain with extended pin		38
短节距带附件输送链 Short pitch conveyor chain with attachment		39-42
双节距输送链 Double pitch conveyor chain		43-44
双节距带附件输送链 Double pitch conveyor chain with attachment		45-46
双节距带加长销输送链 Double pitch conveyor chain with extended pin		47
套筒滚子输送链 Conveyor bushing chain		48-50
带附件套筒输送链 Conveyor bushing chain with attachment		51
RF 系列输送链 RF type Conveyor chain		52-55
RF 系列带附件输送链 RF type conveyor chain with attachment		56-59
M 系列输送链 Conveyor chain (M series)		60



CONTENTS

目录 >>

M 系列带附件输送链 Conveyor chain with attachment (M series)	61-62
MC 空心销轴链 Conveyor chain with hollow pin (MC Series)	63
FV 系列输送链 Conveyor chain (FV Series)	64-66
FV 系列带附件输送链 Conveyor chain with attachment (FV Series)	67-68
FVT 系列输送链 Conveyor chain (FVT Series)	69
FVC 系列输送链 Conveyor chain (FVC Series)	70
Z 系列输送链 Conveyor chain (Z series)	71
ZE 系列输送链 Conveyor chain (ZE series)	72
ZC 空心销轴链 Conveyor chain with hollow pin (ZC Series)	73
U 型附件滚子链 Roller chain with U type attachment	74
空心销轴链 Hollow pin chain	75-77
倍速链 Speed chain	78-80
塑料链 Plastic chain	81
顶置滚轮链 Top roller conveyor chain	82-85
木材输送链 Lumber conveyor chain	86-87
平顶链 Flat top chain	88
HSS HSC SAV 不锈钢链 HSS HSC SAV stainless steel chain	89-91
HSS HS HSC 附件不锈钢链 HSS HS HSC stainless steel chain with attachment	92-96
HB 套筒链 HB bush chain	97
HSS4124&HB78 不锈钢套筒链 (淤泥收集机) HSS424&HB78 stainless steel bush chain(mud collection chain)	98-99

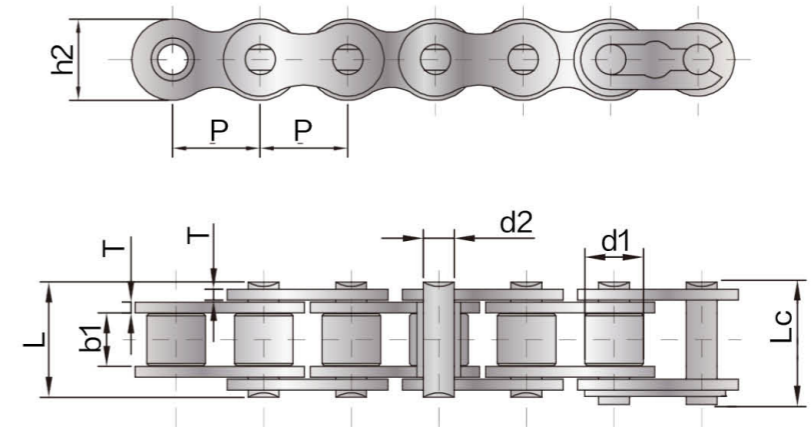
CONTENTS

目录 >>

板式链 Leaf chain	100-105
AL 系列板式链 Leaf Chain (AL Series)	101-102
BL 系列板式链 Leaf Chain (BL Series)	103-106
LL 系列板式链 Leaf Chain (LL Series)	107
农机链 Agricultural chain	108-115
A&CA 型农机链 A&CA type agricultural chain	109-110
S 型农机链 S type agricultural chain	111-112
S 型带附件农机链 S type agricultural chain with attachment	113-115
焊接链 Welded chain	116-119
焊接顶板链 Welded flat top chain	117
焊接弯板链 Welded offset chain	118
带附件焊接弯板链 Welded offset chain with attachment	119
特殊链 Special chain	120-169
冶金行业用链条 Metallurgy chain	121-140
污水处理用链条 Sewage treatment chain	141-143
食品机械用链条 Food industry chain	144-155
汽车生产线链条 Conveyor chain for automobile production line	156-169

传动链

DRIVING CHAIN



A 系列短节距单排精密滚子链
Short pitch precision single roller chain (A series)

FULONG Chain No.	Pitch	Roller Diameter	Width Between Inner Plates	Pin Diameter	Pin Length		Inner Plate Height	Plate Thickness	Transverse Pitch	Ultimate Tensile Strength	Weight Per Meter
富龙链号	节距	滚子直径	内节内宽	销轴直径	销轴长度	销轴长度	内链板高度	链板厚度	排距	极限拉伸载荷	每米重量
	P	d1	b1	d2	L	Lc	h2	T	Pt	Q	q
	mm	mm	mm	mm	mm	mm	mm	mm	mm	KN	Kg/m
*SS04C-1 *SS25-1	6.350	3.30	3.18	2.31	7.90	8.40	6.00	0.80	-	2.45	0.15
*SS06C-1 *SS35-1	9.525	5.08	4.77	3.58	12.40	13.17	9.00	1.30	-	5.53	0.33
SS085-1 SS41-1	12.700	7.77	6.25	3.58	13.75	15.00	9.91	1.30	-	4.67	0.41
SS08A-1 SS40-1	12.700	7.95	7.85	3.96	16.60	17.80	12.00	1.50	-	9.87	0.62
SS10A-1 SS50-1	15.875	10.16	9.40	5.08	20.70	22.20	15.09	2.00	-	15.54	1.02
SS12A-1 SS60-1	19.050	11.91	12.57	5.94	25.90	27.70	18.00	2.42	-	22.26	1.50
SS16A-1 SS80-1	25.400	15.88	15.75	7.92	32.70	35.00	24.00	3.20	-	39.69	2.60
SS20A-1 SS100-1	31.750	19.05	18.90	9.53	40.40	44.70	30.00	4.00	-	61.95	3.91
SS24A-1 SS120-1	38.100	22.23	25.22	11.10	50.30	54.30	35.70	4.80	-	72.50	5.62
SS28A-1 SS140-1	44.450	25.40	25.22	12.70	54.40	59.00	41.00	5.60	-	94.00	7.50
SS32A-1 SS160-1	50.800	28.58	31.55	14.27	64.80	69.60	47.80	6.40	-	118.68	10.10
SS36A-1 SS180-1	57.150	35.71	35.48	17.46	72.80	78.60	53.60	7.20	-	177.67	13.45
SS40A-1 SS200-1	63.500	39.68	37.85	19.85	80.30	87.20	60.00	8.00	-	229.64	16.15
SS48A-1 SS240-1	76.200	47.63	47.35	23.81	95.50	103.00	72.39	9.50	-	330.40	23.20

* 套筒链 d1 表示套筒外径
*d1 in the table indicate the external diameter of bushing

链条材质: 300,400,600 系列不锈钢
Material: 300,400,600 series stainless steel

传动链
Driving chain

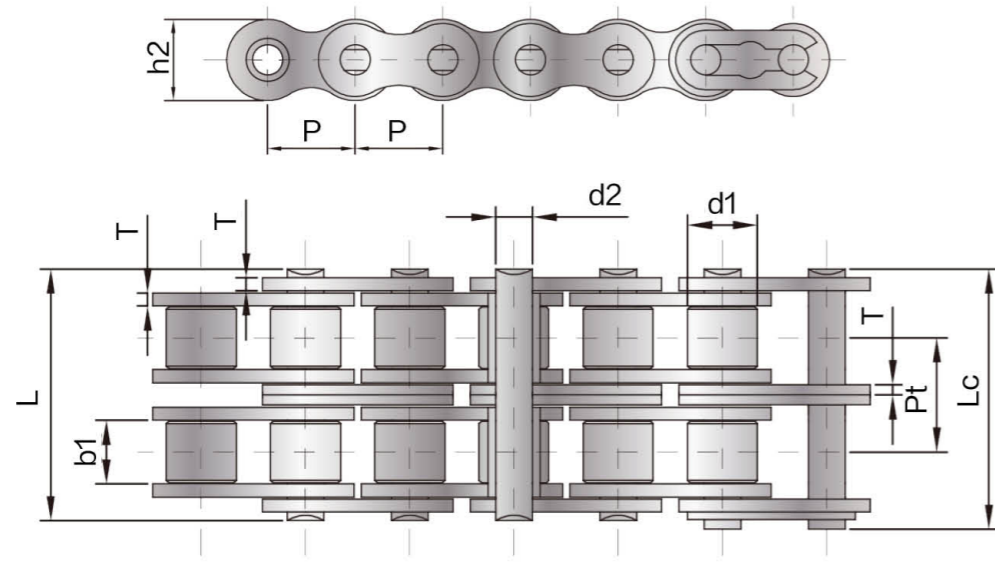
输送带
Conveyor chain

板式链
Leaf chain

农机链
Agricultural chain

焊接链
Welded chain

特殊链
Special chain

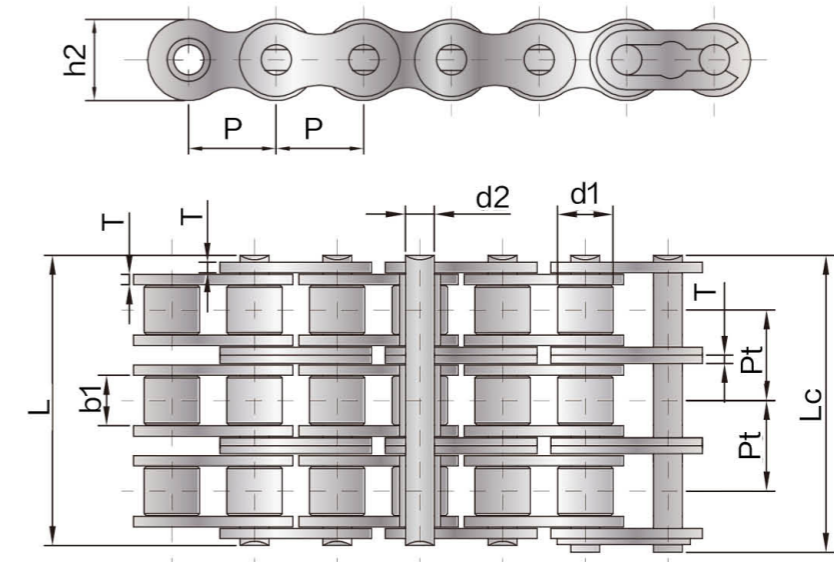


A 系列短节距双排精密滚子链
Short pitch precision duplex roller chain (A series)

FULONG Chain No.	Pitch	Roller Diameter	Width Between Inner Plates	Pin Diameter	Pin Length	Inner Plate Height	Plate Thickness	Transverse Pitch	Ultimate Tensile Strength	Weight Per Meter	
富龙链号	节距	滚子直径	内节内宽	销轴直径	销轴长度	内链板高度	链板厚度	排距	极限拉伸载荷	每米重量	
	P	d1	b1	d2	L	Lc	h2	T	Q	q	
		max	min	max	max	max	max	Pt	min		
	mm	mm	mm	mm	mm	mm	mm	mm	KN	Kg/m	
*SS04C-2 *SS25-2	6.350	3.30	3.18	2.31	14.50	15.00	6.00	0.80	6.40	4.90	0.28
*SS06C-2 *SS35-2	9.525	5.08	4.77	3.58	22.50	23.30	9.00	1.30	10.13	11.06	0.63
SS085-2 SS41-2	12.700	7.77	6.25	3.58	25.70	26.90	9.91	1.30	11.95	9.36	0.81
SS08A-2 SS40-2	12.700	7.95	7.85	3.96	31.00	32.20	12.00	1.50	14.38	19.74	1.12
SS10A-2 SS50-2	15.875	10.16	9.40	5.08	38.90	40.40	15.09	2.00	18.11	31.08	2.00
SS12A-2 SS60-2	19.050	11.91	12.57	5.94	48.80	50.50	18.00	2.42	22.78	44.52	2.92
SS16A-2 SS80-2	25.400	15.88	15.75	7.92	62.70	64.30	24.00	3.20	29.29	79.38	5.15
SS20A-2 SS100-2	31.750	19.05	18.90	9.53	76.40	80.50	30.00	4.00	35.76	123.90	7.80
SS24A-2 SS120-2	38.100	22.23	25.22	11.10	95.80	99.70	35.70	4.80	45.44	145.00	11.70
SS28A-2 SS140-2	44.450	25.40	25.22	12.70	103.30	107.90	41.00	5.60	48.87	188.00	15.14
SS32A-2 SS160-2	50.800	28.58	31.55	14.27	123.30	128.10	47.80	6.40	58.55	237.36	20.14
SS36A-2 SS180-2	57.150	35.71	35.48	17.46	138.60	144.40	53.60	7.20	65.84	355.34	29.22
SS40A-2 SS200-2	63.500	39.68	37.85	19.85	151.90	158.80	60.00	8.00	71.55	459.28	32.24
SS48A-2 SS240-2	76.200	47.63	47.35	23.81	183.40	190.80	72.39	9.50	87.83	660.80	45.23

*套筒链 d1 表示套筒外径
*d1 in the table indicate the external diameter of bushing

链条材质: 300,400,600 系列不锈钢
Material: 300,400,600 series stainless steel

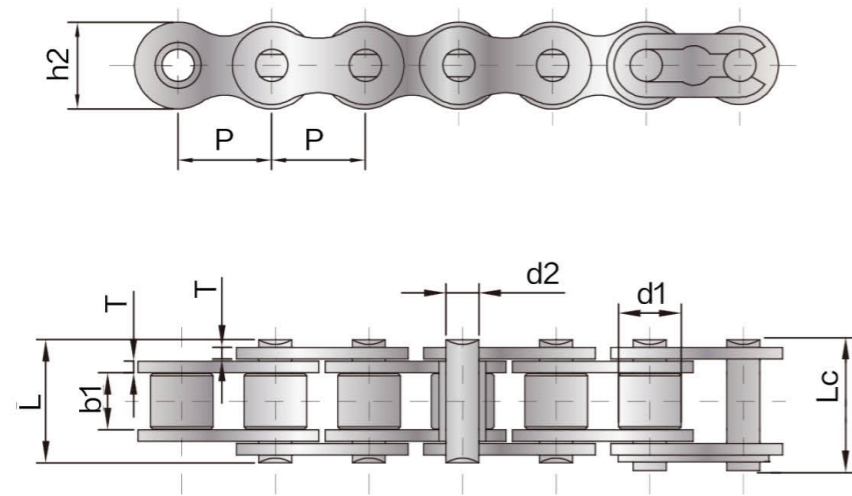


A 系列短节距三排精密滚子链
Short pitch precision triplex roller chain (A series)

FULONG Chain No.	Pitch	Roller Diameter	Width Between Inner Plates	Pin Diameter	Pin Length	Inner Plate Height	Plate Thickness	Transverse Pitch	Ultimate Tensile Strength	Weight Per Meter	
富龙链号	节距	滚子直径	内节内宽	销轴直径	销轴长度	内链板高度	链板厚度	排距	极限拉伸载荷	每米重量	
	P	d1	b1	d2	L	Lc	h2	T	Q	q	
		max	min	max	max	max	max	Pt	min		
	mm	mm	mm	mm	mm	mm	mm	mm	KN	Kg/m	
*SS04C-3 *SS25-3	6.350	3.30	3.18	2.31	21.00	21.50	6.00	0.80	6.40	7.35	0.44
*SS06C-3 *3SS5-3	9.525	5.08	4.77	3.58	32.70	33.50	9.00	1.30	10.13	16.59	1.05
SS08A-3 SS40-3	12.700	7.95	7.85	3.96	45.40	46.60	12.00	1.50	14.38	29.61	1.90
SS10A-3 SS50-3	15.875	10.16	9.40	5.08	57.00	58.50	15.09	2.00	18.11	46.62	3.09
SS12A-3 SS60-3	19.050	11.91	12.57	5.94	71.50	73.30	18.00	2.42	22.78	66.78	4.54
SS16A-3 SS80-3	25.400	15.88	15.75	7.92	91.70	93.60	24.00	3.20	29.29	119.07	7.89
SS20A-3 SS100-3	31.750	19.05	18.90	9.53	112.20	116.30	30.00	4.00	35.76	185.85	11.77
SS24A-3 SS120-3	38.100	22.23	25.22	11.10	141.40	145.20	35.70	4.80	45.44	217.50	17.53
SS28A-3 SS140-3	44.450	25.40	25.22	12.70	152.20	156.80	41.00	5.60	48.87	282.00	22.20
SS32A-3 SS160-3	50.800	28.58	31.55	14.27	181.80	186.60	47.80	6.40	58.55	356.04	30.02
SS36A-3 SS180-3	57.150	35.71	35.48	17.46	204.40	210.20	53.60	7.20	65.84	533.04	38.22
SS40A-3 SS200-3	63.500	39.68	37.85	19.85	223.50	230.40	60.00	8.00	71.55	688.92	49.03
SS48A-3 SS240-3	76.200	47.63	47.35	23.81	271.30	278.60	72.39	9.50	87.83	991.20	71.60

*套筒链 d1 表示套筒外径
*d1 in the table indicate the external diameter of bushing

链条材质: 300,400,600 系列不锈钢
Material: 300,400,600 series stainless steel

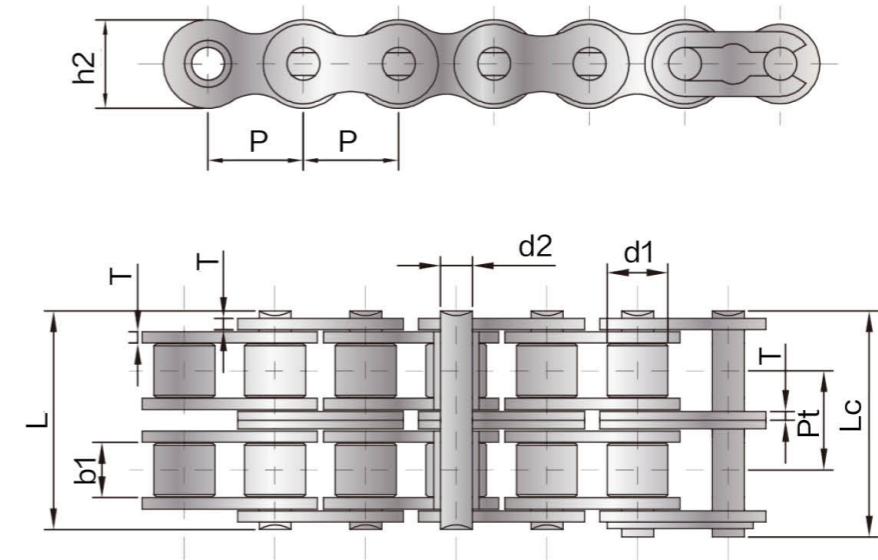


B 系列短节距单排精密滚子链
Short pitch precision single roller chain (B series)

FULONG Chain No.	Pitch	Roller Diameter	Width Between Inner Plates	Pin Diameter	Pin Length		Inner Plate Height	Plate Thickness	Transverse Pitch	Ultimate Tensile Strength	Weight Per Meter
富龙链号	节距	滚子直径	内节内宽	销轴直径	销轴长度		内链板高度	链板厚度	排距	极限拉伸载荷	每米重量
	P	d1	b1	d2	L	Lc	h2	T	Pt	Q	q
		max	min	max	max	max	max	max		min	
	mm	mm	mm	mm	mm	mm	mm	mm	mm	KN	Kg/m
*SS04B-1	6.000	4.00	2.80	1.85	6.80	7.80	5.00	0.60	-	2.10	0.11
*SS05B-1	8.000	5.00	3.00	2.31	8.20	8.90	7.10	0.80	-	3.50	0.20
*SS06B-1	9.525	6.35	5.72	3.28	13.15	14.10	8.20	1.30	-	6.30	0.41
SS08B-1	12.700	8.51	7.75	4.45	16.70	18.20	11.80	1.60	-	12.60	0.69
SS10B-1	15.875	10.16	9.65	5.08	19.50	20.90	14.70	1.70	-	15.68	0.93
SS12B-1	19.050	12.07	11.68	5.72	22.50	24.20	16.00	1.85	-	20.30	1.15
SS16B-1	25.400	15.88	17.02	8.28	36.10	37.40	21.00	4.0/3.2	-	42.00	2.71
SS20B-1	31.750	19.05	19.56	10.19	41.30	45.00	26.40	4.5/3.5	-	60.50	3.70
SS24B-1	38.100	25.04	25.40	14.63	53.40	57.80	33.20	6.0/4.8	-	106.80	7.10
SS28B-1	44.450	27.94	30.99	15.90	65.10	69.50	36.70	7.5/6.0	-	130.00	8.50
SS32B-1	50.800	29.21	30.99	17.81	66.00	71.00	42.00	7.0/6.0	-	155.00	10.25
SS40B-1	63.500	39.37	38.10	22.89	82.20	89.20	52.96	8.5/8.0	-	226.70	16.35
SS48B-1	76.200	48.26	45.72	29.24	99.10	107.00	63.80	12.0/10.0	-	326.50	25.00

* 套筒链 d1 表示套筒外径
*d1 in the table indicate the external diameter of bushing

链条材质: 300,400,600 系列不锈钢
Material: 300,400,600 series stainless steel



B 系列短节距双排精密滚子链
Short pitch precision duplex roller chain (B series)

FULONG Chain No.	Pitch	Roller Diameter	Width Between Inner Plates	Pin Diameter	Pin Length		Inner Plate Height	Plate Thickness	Transverse Pitch	Ultimate Tensile Strength	Weight Per Meter
富龙链号	节距	滚子直径	内节内宽	销轴直径	销轴长度		内链板高度	链板厚度	排距	极限拉伸载荷	每米重量
	P	d1	b1	d2	L	Lc	h2	T	Pt	Q	q
		max	min	max	max	max	max	max		min	
	mm	mm	mm	mm	mm	mm	mm	mm	mm	KN	Kg/m
*SS05B-2	8.000	5.00	3.00	2.31	13.90	14.50	7.10	0.80	5.64	7.00	0.33
*SS06B-2	9.525	6.35	5.72	3.28	23.40	24.40	8.20	1.30	10.24	12.60	0.77
SS08B-2	12.700	8.51	7.75	4.45	31.00	32.20	11.80	1.60	13.92	25.20	1.34
SS10B-2	15.875	10.16	9.65	5.08	36.10	37.50	14.70	1.70	16.59	31.36	1.84
SS12B-2	19.050	12.07	11.68	5.72	42.00	43.60	16.00	1.85	19.46	40.60	2.31
SS16B-2	25.400	15.88	17.02	8.28	68.00	69.30	21.00	4.0/3.2	31.88	84.00	5.42
SS20B-2	31.750	19.05	19.56	10.19	77.80	81.50	26.40	4.5/3.5	36.45	121.00	7.20
SS24B-2	38.100	25.04	25.40	14.63	101.70	106.20	33.20	6.0/4.8	48.36	213.60	13.40
SS28B-2	44.450	27.94	30.99	15.90	124.60	129.10	36.70	7.5/6.0	59.56	260.00	16.60
SS32B-2	50.800	29.21	30.99	17.81	124.60	129.60	42.00	7.0/6.0	58.55	310.00	21.00
SS40B-2	63.500	39.37	38.10	22.89	154.50	161.50	52.96	8.5/8.0	72.29	453.40	32.00
SS48B-2	76.200	48.26	45.72	29.24	190.40	198.20	63.80	12.0/10.0	91.21	653.00	50.00

* 套筒链 d1 表示套筒外径
*d1 in the table indicate the external diameter of bushing

链条材质: 300,400,600 系列不锈钢
Material: 300,400,600 series stainless steel

传动链
Driving chain

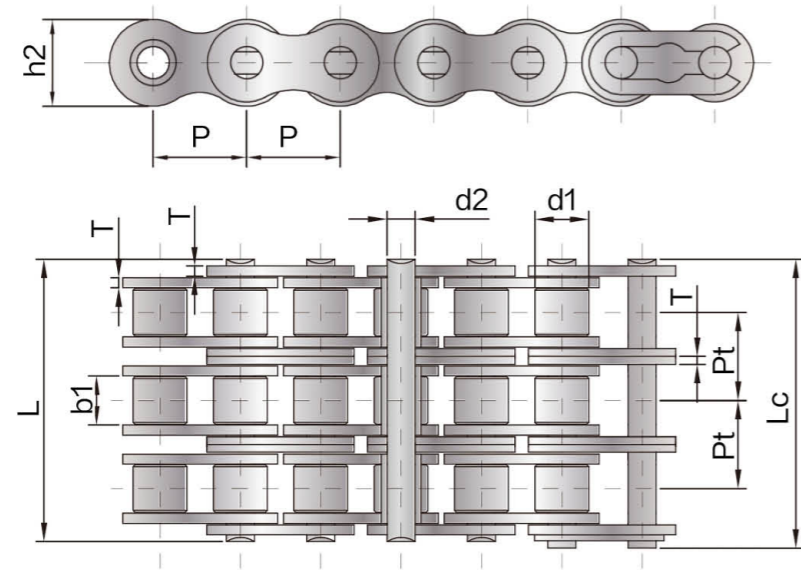
输送带链
Conveyor chain

板式链
Leaf chain

农机链
Agricultural chain

焊接链
Welded chain

特殊链
Special chain

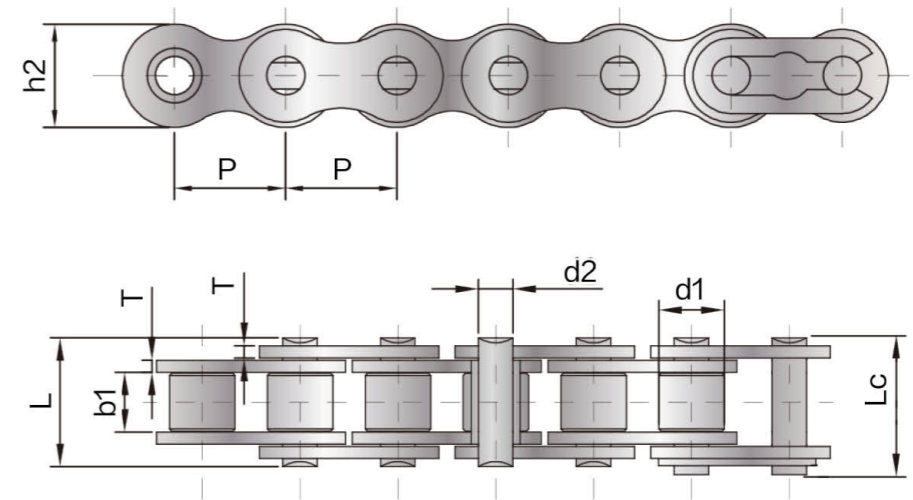


B 系列短节距三排精密滚子链
Short Pitch precision triplex roller chain (B series)

FULONG Chain No.	Pitch	Roller Diameter	Width Between Inner Plates	Pin Diameter	Pin Length	Inner Plate Height	Plate Thickness	Transverse Pitch	Ultimate Tensile Strength	Weight Per Meter	
富龙链号	节距	滚子直径	内节内宽	销轴直径	销轴长度	内链板高度	链板厚度	排距	极限拉伸载荷	每米重量	
	P	d1	b1	d2	L	Lc	h2	T	Q	q	
		max	min	max	max	max	max	max	min		
	mm	mm	mm	mm	mm	mm	mm	mm	KN	Kg/m	
*SS05B-3	8.000	5.00	3.00	2.31	19.50	20.20	7.10	0.80	5.64	10.50	0.48
*SS06B-3	9.525	6.35	5.72	3.28	33.50	34.60	8.20	1.30	10.24	18.90	1.16
SS08B-3	12.700	8.51	7.75	4.45	45.10	46.10	11.80	1.60	13.92	37.80	2.03
SS10B-3	15.875	10.16	9.65	5.08	52.70	54.10	14.70	1.70	16.59	47.04	2.77
SS12B-3	19.050	12.07	11.68	5.72	61.50	63.10	16.00	1.85	19.46	60.90	3.46
SS16B-3	25.400	15.88	17.02	8.28	99.80	101.20	21.00	4.0/3.0	31.88	126.00	8.13
SS20B-3	31.750	19.05	19.56	10.19	114.20	117.90	26.40	4.5/3.5	36.45	181.50	10.82
SS24B-3	38.100	25.04	25.40	14.63	150.10	154.60	33.20	6.0/4.8	48.36	320.04	20.10
SS28B-3	44.450	27.94	30.99	15.90	184.20	188.70	36.70	7.5/6.0	59.56	390.00	24.92
SS32B-3	50.800	29.21	30.99	17.81	183.20	188.20	42.00	7.0/6.0	58.55	465.00	31.56
SS40B-3	63.500	39.37	38.10	22.89	226.80	233.80	52.96	8.5/8.0	72.29	680.10	48.10
SS48B-3	76.200	48.26	45.72	29.24	281.60	289.40	63.80	12.0/10.0	91.21	979.50	75.00

* 套筒链 d1 表示套筒外径
*d1 in the table indicate the external diameter of bushing

链条材质: 300,400,600 系列不锈钢
Material: 300,400,600 series stainless steel

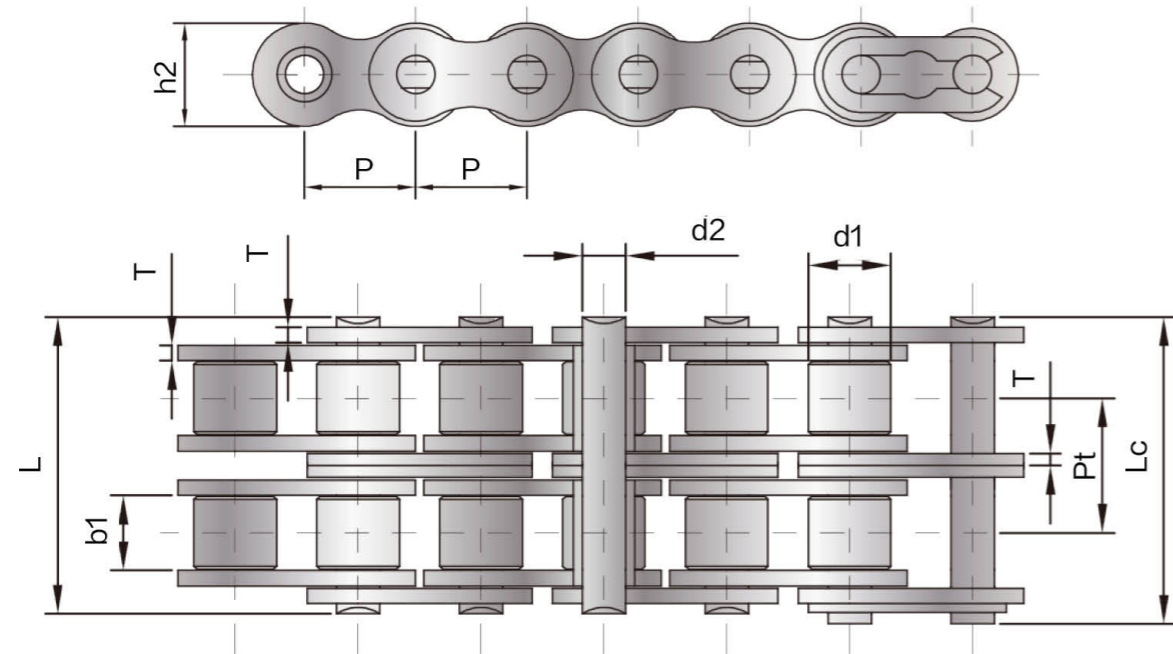


加重系列滚子链
Heavy duty series roller chain

FULONG Chain No.	Pitch	Roller Diameter	Width Between Inner Plates	Pin Diameter	Pin Length	Inner Plate Height	Plate Thickness	Transverse Pitch	Ultimate Tensile Strength	Average Tensile Strength	Weight Per Meter	
富龙链号	节距	滚子直径	内节内宽	销轴直径	销轴长度	内链板高度	链板厚度	排距	极限拉伸载荷	平均拉伸载荷	每米重量	
	P	d1	b1	d2	L	Lc	h2	T	Q	Q0	q	
		max	min	max	max	max	max	max	min			
	mm	mm	mm	mm	mm	mm	mm	mm	KN	KN	Kg/m	
SS08AH-1 SS40H-1	12.700	7.95	7.85	3.96	18.80	19.90	12.00	2.03	-	9.87	13.37	0.82
SS10AH-1 SS50H-1	15.875	10.16	9.40	5.08	22.10	23.40	15.09	2.42	-	15.54	21.14	1.25
SS12AH-1 SS60H-1	19.050	11.91	12.57	5.94	29.20	31.00	18.00	3.25	-	22.26	29.89	1.87
SS16AH-1 SS80H-1	25.400	15.88	15.75	7.92	36.20	37.70	24.00	4.00	-	39.69	49.98	3.10
SS20AH-1 SS100H-1	31.750	19.05	18.90	9.53	43.60	46.90	30.00	4.80	-	61.95	78.68	4.52
SS24AH-1 SS120H-1	38.100	22.23	25.22	11.10	53.50	57.50	35.70	5.60	-	72.50	112.63	6.60
SS28AH-1 SS140H-1	44.450	25.40	25.22	12.70	57.60	62.20	41.00	6.40	-	94.00	152.11	8.30
SS32AH-1 SS160H-1	50.800	28.58	31.55	14.27	68.20	73.00	47.80	7.20	-	118.68	200.06	10.30
SS36AH-1 SS180H-1	57.150	35.71	35.48	17.46	75.90	81.60	53.60	8.00	-	177.67	239.26	14.83
SS40AH-1 SS200H-1	63.500	39.68	37.85	19.85	86.60	93.50	60.00	9.50	-	229.64	311.15	19.16
SS48AH-1 SS240H-1	76.200	47.63	47.35	23.81	109.61	115.90	72.30	12.70	-	330.40	435.75	30.40

* 套筒链 d1 表示套筒外径
*d1 in the table indicate the external diameter of bushing

链条材质: 300,400,600 系列不锈钢
Material: 300,400,600 series stainless steel

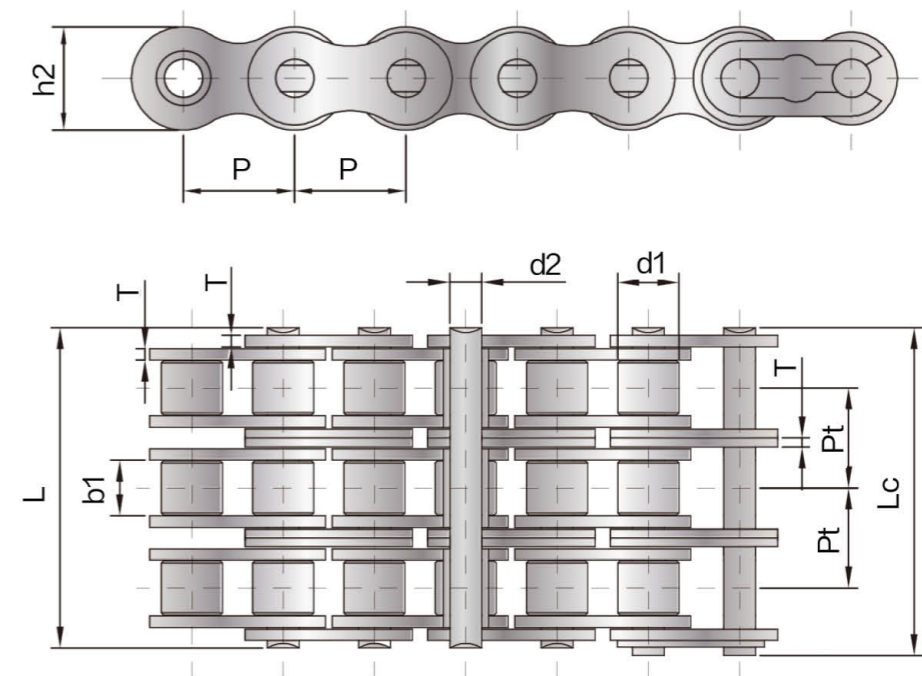


加重系列滚子链
Heavy duty series roller chain

FULONG Chain No.	Pitch	Roller Diameter	Width Between Inner Plates	Pin Diameter	Pin Length		Inner Plate Height	Plate Thickness	Transverse Pitch	Ultimate Tensile Strength	Average Tensile Strength	Weight Per Meter
富龙链号	节距	滚子直径	内节内宽	销轴直径	销轴长度		内链板高度	链板厚度	排距	极限拉伸载荷	平均拉伸载荷	每米重量
	P	d1	b1	d2	L	Lc	h2	T	Pt	Q	Q0	q
	mm	mm	mm	mm	mm	mm	mm	mm	mm	KN	KN	Kg/m
SS12AH-2 SS60H-2	19.050	11.91	12.57	5.94	55.30	57.10	18.00	3.25	26.11	44.52	59.15	3.71
SS16AH-2 SS80H-2	25.400	15.88	15.75	7.92	68.80	70.30	24.00	4.00	32.59	79.38	101.71	6.15
SS20AH-2 SS100H-2	31.750	19.05	18.90	9.53	82.70	86.00	30.00	4.80	39.09	123.90	158.13	9.03
SS24AH-2 SS120H-2	38.100	22.23	25.22	11.10	102.40	106.40	35.70	5.60	48.87	145.00	225.89	13.13
SS28AH-2 SS140H-2	44.450	25.40	25.22	12.70	109.80	114.40	41.00	6.40	52.20	188.00	306.39	16.60
SS32AH-2 SS160H-2	50.800	28.58	31.55	14.27	130.10	134.90	47.80	7.20	61.90	237.36	400.12	20.20
SS36AH-2 SS180H-2	57.150	35.71	35.48	17.46	146.50	155.60	53.60	8.00	69.16	355.34	476.00	29.20
SS40AH-2 SS200H-2	63.500	39.68	37.85	19.85	164.90	171.80	60.00	9.50	78.31	459.28	626.22	38.11
SS48AH-2 SS240H-2	76.200	47.63	47.35	23.81	212.60	223.10	72.30	12.70	101.22	660.80	840.00	60.50

* 套筒链 d1 表示套筒外径
*d1 in the table indicate the external diameter of bushing

链条材质: 300,400,600 系列不锈钢
Material: 300,400,600 series stainless steel



加重系列滚子链
Heavy duty series roller chain

FULONG Chain No.	Pitch	Roller Diameter	Width Between Inner Plates	Pin Diameter	Pin Length		Inner Plate Height	Plate Thickness	Transverse Pitch	Ultimate Tensile Strength	Average Tensile Strength	Weight Per Meter
富龙链号	节距	滚子直径	内节内宽	销轴直径	销轴长度		内链板高度	链板厚度	排距	极限拉伸载荷	平均拉伸载荷	每米重量
	P	d1	b1	d2	L	Lc	h2	T	Pt	Q	Q0	q
	mm	mm	mm	mm	mm	mm	mm	mm	mm	KN	KN	Kg/m
SS12AH-3 SS60H-3	19.050	11.91	12.57	5.94	81.40	83.20	18.00	3.25	26.11	66.78	113.90	5.54
SS16AH-3 SS80H-3	25.400	15.88	15.75	7.92	101.40	102.90	24.00	4.00	32.59	119.07	142.88	9.42
SS20AH-3 SS100H-3	31.750	19.05	18.90	9.53	121.80	125.10	30.00	4.80	39.09	185.85	223.02	12.96
SS24AH-3 SS120H-3	38.100	22.23	25.22	11.10	151.20	155.20	35.70	5.60	48.87	217.50	311.29	19.64
SS28AH-3 SS140H-3	44.450	25.40	25.22	12.70	162.00	166.60	41.00	6.40	52.20	282.00	418.88	24.90
SS32AH-3 SS160H-3	50.800	28.58	31.55	14.27	192.00	196.80	47.80	7.20	61.90	356.04	551.11	30.10
SS36AH-3 SS180H-3	57.150	35.71	35.48	17.46	215.70	224.80	53.60	8.00	69.16	533.04	707.70	44.10
SS40AH-3 SS200H-3	63.500	39.68	37.85	19.85	243.20	250.10	60.00	9.50	78.31	688.92	859.74	57.06
SS48AH-3 SS240H-3	76.200	47.63	47.35	23.81	313.80	324.30	72.30	12.70	101.22	991.20	1155.00	91.00

* 套筒链 d1 表示套筒外径
*d1 in the table indicate the external diameter of bushing

链条材质: 300,400,600 系列不锈钢
Material: 300,400,600 series stainless steel

传动链
Driving chain

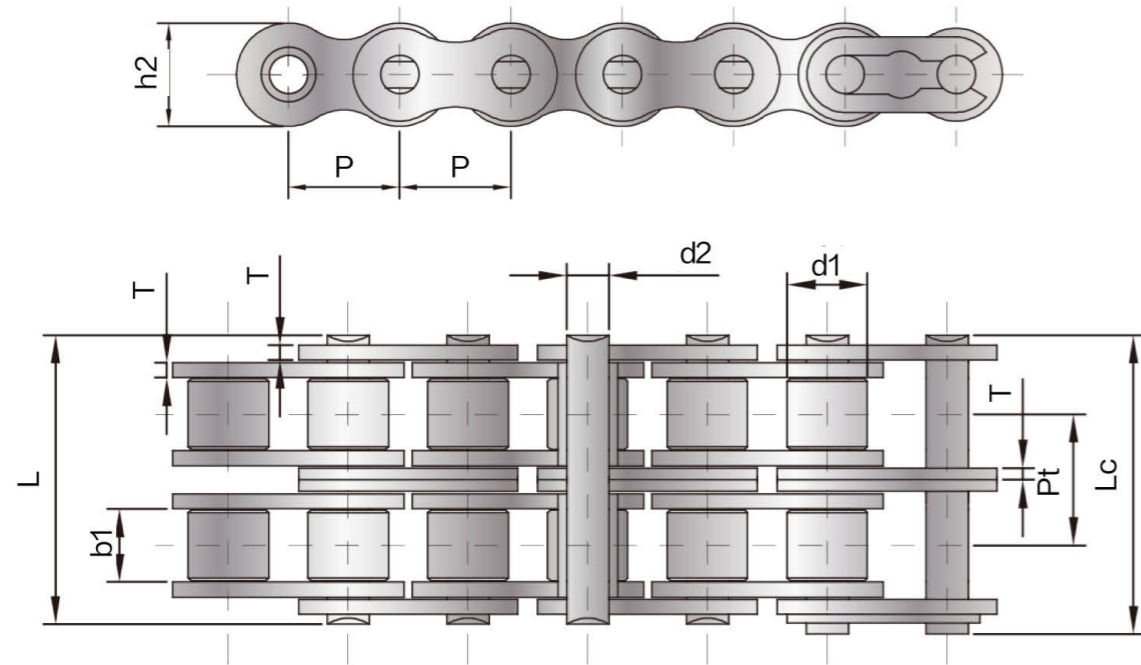
输送带
Conveyor chain

板式链
Leaf chain

农机链
Agricultural chain

焊接链
Welded chain

特殊链
Special chain

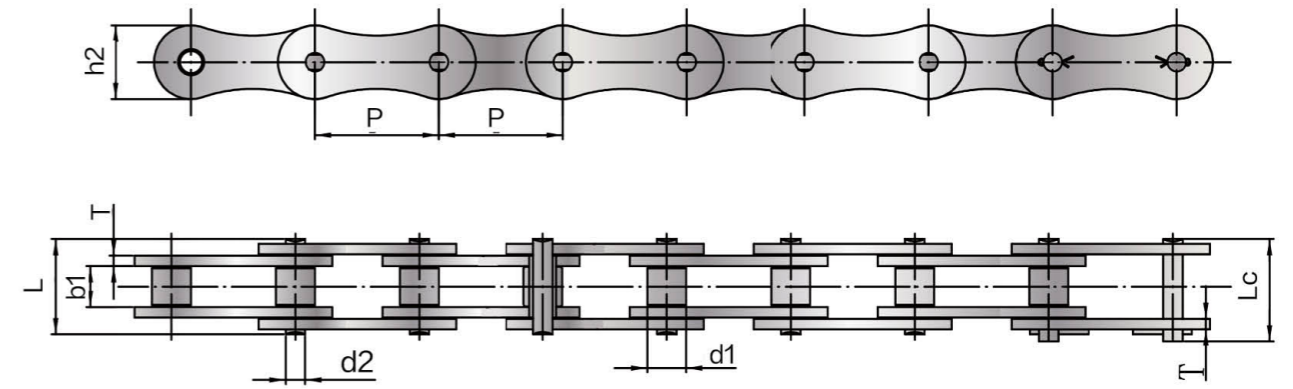


加重系列滚子链
Heavy duty series roller chain

FULONG Chain No.	Pitch	Roller Diameter	Width Between Inner Plates	Pin Diameter	Pin Length		Inner Plate Height	Plate Thickness	Transverse Pitch	Ultimate Tensile Strength	Average Tensile Strength	Weight Per Meter
富龙链号	P	d1	b1	d2	L	Lc	h2	T	Pt	Q	Q0	q
	mm	mm	mm	mm	mm	mm	mm	mm	mm	KN	KN	Kg/m
SS04BH-1	6.000	4.00	2.80	1.85	8.40	9.40	5.00	0.90	-	2.10	4.00	0.14
*SS06BH-1	9.525	6.35	5.72	3.58	14.40	15.40	8.20	1.60	-	6.30	9.05	0.51
SS08BH-1	12.700	8.51	7.85	4.45	18.80	19.90	11.80	2.03	-	12.60	16.58	0.79
SS10BH-1	15.875	10.16	9.65	5.08	20.20	21.60	14.70	1.85	-	15.68	20.13	1.03
SS12BH-1	19.050	12.07	11.68	5.94	25.20	26.80	16.00	2.42	-	20.30	32.20	1.45
SS12BV-1	19.050	12.07	11.68	6.10	24.50	26.50	16.00	2.42	-	42.00	28.98	1.43
SS16BH-1	25.400	15.88	17.02	8.90	35.70	38.90	24.10	4.0/3.1	-	60.50	64.40	3.11
SS24BH-1	38.100	25.40	25.40	14.63	58.60	63.40	36.20	7.5/6.0	-	106.80	181.70	9.00

*套筒链 d1 表示套筒外径
*d1 in the table indicate the external diameter of bushing

链条材质: 300,400,600 系列不锈钢
Material: 300,400,600 series stainless steel



双节距传动链
Double pitch driving chain

FULONG Chain No.	Pitch	Roller Diameter	Width Between Inner Plates	Pin Diameter	Pin Length		Inner Plate Height	Plate Thickness	Ultimate Tensile Strength	Weight Per Meter	
富龙链号	P	d1	b1	d2	L	Lc	h2	T	Q	q	
	mm	mm	mm	mm	mm	mm	mm	mm	KN	Kg/m	
SS208A	SSA2040	25.40	7.95	7.85	3.96	16.60	17.80	12.00	1.50	9.87	0.42
SS210A	SSA2050	31.75	10.16	9.40	5.08	20.70	22.20	15.00	2.03	15.54	0.73
SS212A	SSA2060	38.10	11.91	12.57	5.94	25.90	27.70	18.00	2.42	22.26	1.02
SS216A	SSA2080	50.80	15.88	15.75	7.92	32.70	36.50	24.00	3.25	39.69	1.70
SS220A	SSA2100	63.50	19.05	18.90	9.53	40.40	44.70	30.00	4.00	61.95	2.55
SS224A	SSA2120	76.20	22.23	25.22	11.10	50.30	54.30	35.70	4.80	72.50	4.06
SS208B	25.40	8.51	7.75	4.45	16.70	18.20	11.80	1.60	12.60	0.45	
SS210B	31.75	10.16	9.65	5.08	19.50	20.90	14.70	1.70	15.68	0.65	
SS212B	38.10	12.07	11.68	5.72	22.50	25.20	16.00	1.85	20.30	0.76	
SS216B	50.80	15.88	17.02	8.28	36.10	39.10	21.00	4.0/3.2	42.00	1.75	
SS220B	63.50	19.05	19.56	10.19	41.30	45.00	26.40	4.5/3.5	60.50	2.62	
SS224B	76.20	25.04	25.40	14.63	53.40	57.80	33.20	6.0/4.8	106.80	4.70	
SS232B	101.60	29.21	30.99	17.81	66.00	71.00	42.00	7.0/6.0	155.00	6.72	

*套筒链 d1 表示套筒外径
*d1 in the table indicate the external diameter of bushing

链条材质: 300,400,600 系列不锈钢
Material: 300,400,600 series stainless steel

传动链
Driving chain

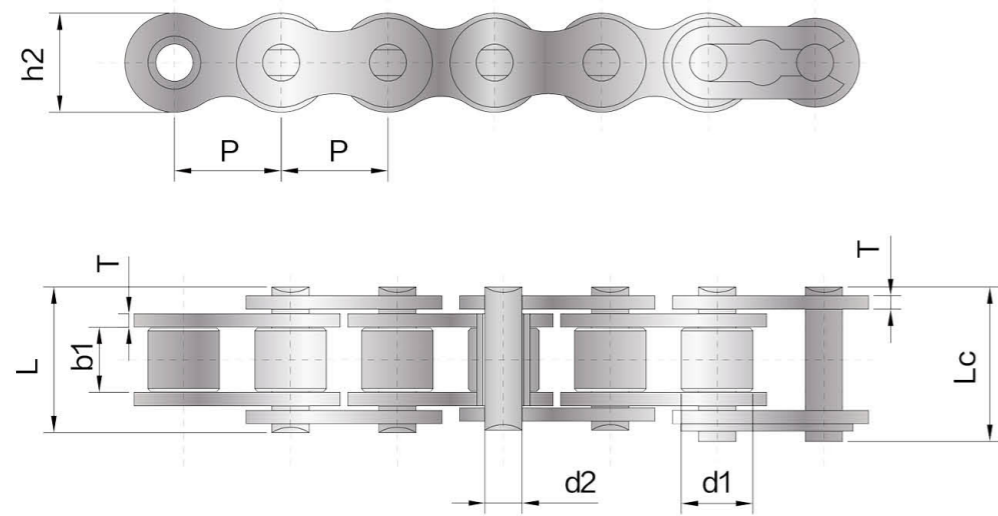
输送带
Conveyor chain

板式链
Leaf chain

农机链
Agricultural chain

焊接链
Welded chain

特殊链
Special chain

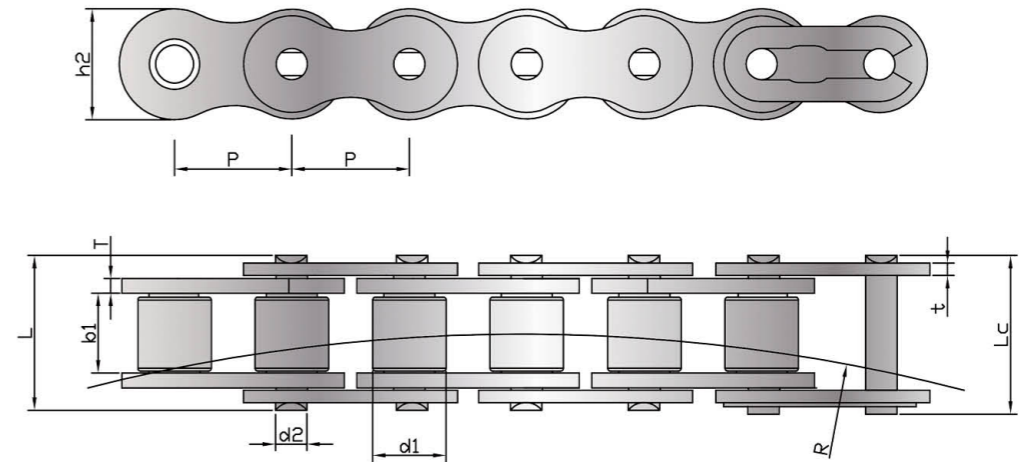


其它单排滚子链
Other single roller chain

FULONG Chain No.	Pitch	Roller Diameter	Width Between Inner Plates	Pin Diameter	Pin Length		Inner Plate Height	Plate Thickness	Ultimate Tensile Strength	Weight Per Meter
富龙链号	节距	滚子直径	内节内宽	销轴直径	销轴长度		内链板高度	链板厚度	极限拉伸载荷	每米重量
	P	d1	b1	d2	L	Lc	h2	T	Q	q.
	mm	mm	mm	mm	mm	mm	mm	mm	KN	Kg/m
SS04BH	6.000	4.00	2.80	1.85	8.40	9.40	5.00	0.90	5.00	0.14
SS081	12.700	7.75	3.30	3.66	9.30	12.30	9.90	1.00	8.00	0.28
SS084	12.700	7.75	4.88	4.09	14.60	17.60	11.50	1.80	15.60	0.51
SS415	12.700	7.77	4.76	3.60	11.00	12.40	9.70	1.00	6.86	0.32
SS415H	12.700	7.77	4.76	3.96	13.10	14.50	12.00	1.50	14.40	0.55
SS415B/ SS083	12.700	7.75	4.88	4.09	12.90	14.40	10.30	1.30	12.00	0.44
SS415BF1	12.700	7.75	4.88	4.09	11.50	13.00	10.30	1.00	9.00	0.38
SS423	12.700	8.51	6.40	4.45	15.60	17.10	12.40	1.70	19.60	0.71
SS478	12.700	7.80	4.80	4.00	11.60	13.65	10.46	1.25	9.80	0.39

* 套筒链 d1 表示套筒外径
*d1 in the table indicate the external diameter of bushing

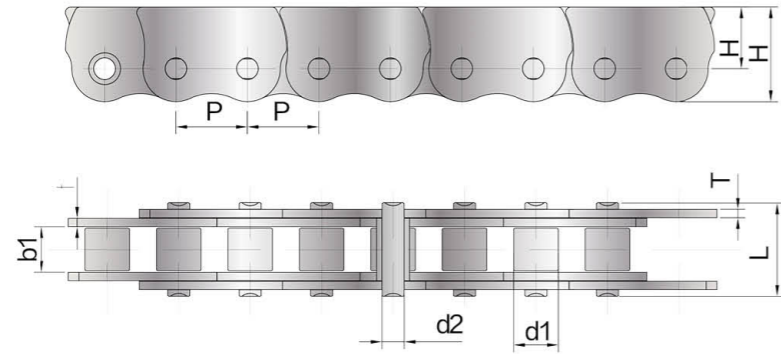
链条材质: 300,400,600 系列不锈钢
Material: 300,400,600 series stainless steel



侧弯链
Side bow chain

FULONG Chain No.	Pitch	Roller Diameter	Width Between Inner Plates	Pin Diameter	Pin Length		Inner Plate Height	Plate Thickness	Ultimate Tensile Strength	Side Bow Radius	Weight Per Meter
富龙链号	节距	滚子直径	内节内宽	销轴直径	销轴长度		内链板高度	链板厚度	极限拉伸载荷	侧弯半径	每米重量
	P	d1	b1	d2	L	Lc	h2	T/t	Q	R	q.
	mm	mm	mm	mm	mm	mm	mm	mm	KN	mm	Kg/m
SS40SB	12.700	7.95	7.85	3.96	16.90	18.10	11.70	1.50	9.66	350.00	0.80
SS43SB	12.700	7.95	7.85	3.45	18.30	19.50	11.70	1.50	8.40	305.00	0.64
SS50SB	15.875	10.16	9.40	4.37	20.70	22.70	14.90	2.03	14.42	400.00	1.09
SS60SB	19.050	11.91	12.57	5.34	26.60	28.40	18.00	2.42	10.99	500.00	1.54
SS63SB	19.050	11.91	12.68	5.08	28.80	30.60	17.20	2.42/2.03	8.75	350.00	1.40
SS80SB	25.400	15.88	15.75	7.19	34.00	37.30	24.00	3.25	28.63	711.00	2.60
SS08BSB	12.700	8.51	7.75	3.97	17.40	18.70	11.80	1.60	9.80	400.00	0.70
SS08BSBF1	12.700	8.51	7.75	3.97	16.30	17.60	11.80	1.6/1.2	8.96	400.00	0.65
SS10BSB	15.875	10.16	9.65	4.50	20.10	21.50	14.70	1.70	10.92	400.00	0.93
SS12BSB	19.050	12.07	11.68	5.12	23.10	24.80	16.00	1.85	14.35	500.00	1.16
SS16BSB	25.400	15.88	17.22	7.90	36.50	39.70	21.00	3.7/3.0	38.92	500.00	2.53
SSC2050SB	31.750	10.16	9.40	5.08	21.30	22.60	15.00	2.03	15.26	800.00	0.84

链条材质: 300,400,600 系列不锈钢
Material: 300,400,600 series stainless steel

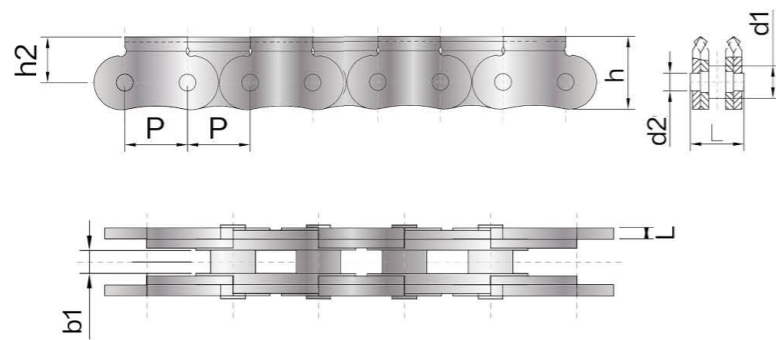


推窗用防弯链
Anti-Sidebow chain for pushing window

FULONG Chain No.	Pitch	Roller Diameter	Width Between Inner Plates	Pin Diameter	Pin Length	Plate Height	Plate Thickness	Ultimate Tensile Strength	Weight Per Meter
富龙链号	P	d1	b1	d2	L	H	h	t/T	Q
	mm	mm	mm	mm	mm	mm	mm	mm	KN
SS08AF6	12.700	7.95	7.85	3.96	17.80	17.00	11.00	1.50	9.87
SS415BF4	12.700	7.75	4.88	4.09	16.40	17.00	11.00	1.3/3.1	9.94
SS08BSSF20	12.700	8.51	7.75	4.45	16.70	16.50	10.50	1.60	12.16
SS06BF40	9.525	6.35	5.72	3.28	13.15	13.20	8.70	1.25	6.30
SS06CF20	9.525	5.08	4.77	3.58	11.60	13.20	8.70	1.25	5.53
SS06CF30	9.525	5.08	4.77	3.58	13.30	13.20	8.70	1.3/2.03	6.60
SS06BF33	9.525	6.35	5.72	3.28	13.15	12.38	7.88	1.30	6.30
SS06BF34	9.525	6.35	3.80	3.28	10.00	12.38	7.88	1.04	5.60
*SS06CF22	9.525	5.08	4.77	3.58	11.60	12.86	8.38	1.30	5.80

* 套筒链 d1 表示套筒外径
* d1 in the table indicate the external diameter of bushing

链条材质: 300,400,600 系列不锈钢
Material: 300,400,600 series stainless steel



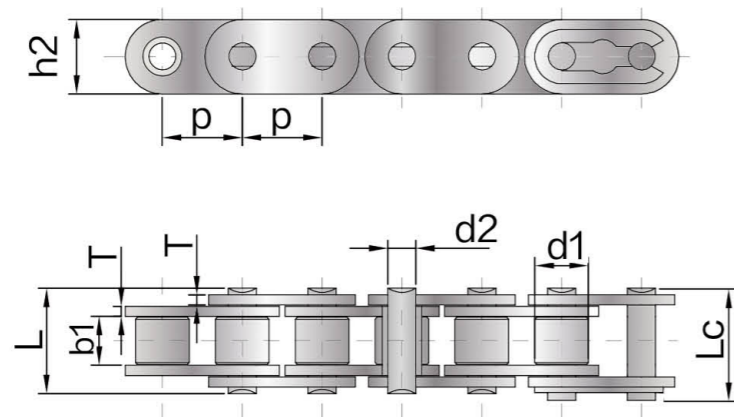
FULONG Chain No.	Pitch	Roller Diameter	Width Between Inner Plates	Pin Diameter	Pin Length	Inner Plate Height	Plate Thickness	Ultimate Tensile Strength
富龙链号	P	d1	b1	d2	L	h	h2	T
	mm	mm	mm	mm	mm	mm	mm	mm
SSP11.5	11.500	6.00	3.00	3.00	10.80	13.50	8.50	1.50

链条材质: 300,400,600 系列不锈钢
Material: 300,400,600 series stainless steel



输送链

CONVEYOR CHAIN

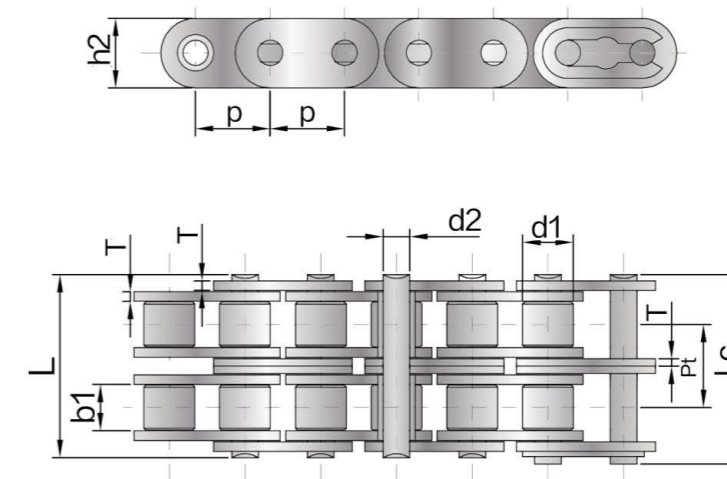


A 系列短节距直板精密滚子链
Short pitch precision roller chain with straight plate (A series)

FULONG Chain No.	Pitch	Roller Diameter	Width Between Inner Plates	Pin Diameter	Pin Length		Inner Plate Height	Plate Thickness	Transverse Pitch	Ultimate Tensile Strength	Weight Per Meter
富龙链号	节距	滚子直径	内节内宽	销轴直径	销轴长度		内链板高度	链板厚度	排距	极限拉伸载荷	每米重量
	P	d1	b1	d2	L	Lc	h2	T	Pt	Q	q
		max	min	max	max	max	max	max		min	
	mm	mm	mm	mm	mm	mm	mm	mm	mm	KN	Kg/m
*SSC06C-1 *SSC35-1	9.525	5.08	4.77	3.58	13.30	13.50	9.00	1.30	-	5.53	0.41
SSC08A-1 SSC40-1	12.70	7.95	7.85	3.96	16.60	18.05	12.00	1.50	-	9.87	0.73
SSC10A-1 SSC50-1	15.875	10.16	9.40	5.08	20.70	21.25	15.09	2.03	-	15.54	1.23
SSC12A-1 SSC60-1	19.05	11.91	12.57	5.94	25.90	27.50	18/18.2	2.42	-	22.26	1.81/1.83
SSC16A-1 SSC80-1	25.40	15.88	15.75	7.92	32.70	33.70	24.00	3.25	-	39.69	3.09
SSC20A-1 SSC100-1	31.75	19.05	18.90	9.53	40.40	44.70	30.00	4.00	-	61.95	4.56
SSC24A-1 SSC120-1	38.10	22.23	25.22	11.10	50.30	54.30	35.70	4.80	-	72.5	6.86
SSC28A-1 SSC140-1	44.45	25.40	25.22	12.70	54.40	59.00	41.00	5.60	-	94	8.49
SSC32A-1 SSC160-1	50.80	28.58	31.55	14.27	64.80	69.60	47.80	6.40	-	118.68	11.50

*套筒链 d1 表示套筒外径
*d1 in the table indicate the external diameter of bush

链条材质: 300,400,600 系列不锈钢
Material: 300,400,600 series stainless steel

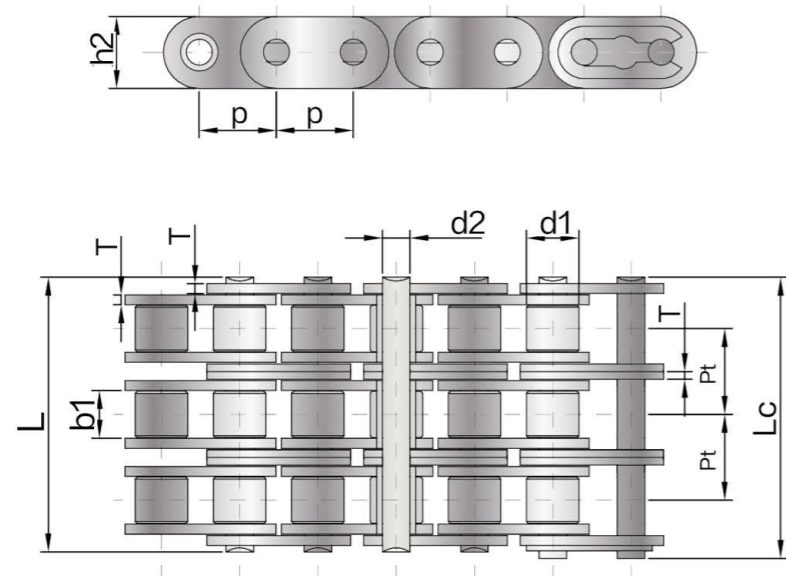


A 系列短节距直板精密滚子链
Short pitch precision roller chain with straight plate (A series)

FULONG Chain No.	Pitch	Roller Diameter	Width Between Inner Plates	Pin Diameter	Pin Length		Inner Plate Height	Plate Thickness	Transverse Pitch	Ultimate Tensile Strength	Weight Per Meter
富龙链号	节距	滚子直径	内节内宽	销轴直径	销轴长度		内链板高度	链板厚度	排距	极限拉伸载荷	每米重量
	P	d1	b1	d2	L	Lc	h2	T	Pt	Q	q
		max	min	max	max	max	max	max		min	
	mm	mm	mm	mm	mm	mm	mm	mm	mm	KN	Kg/m
SSC08A-2 SSC40-2	12.70	7.95	7.85	3.96	31.00	32.20	12.00	1.50	14.38	19.74	1.43
SSC10A-2 SSC50-2	15.875	10.16	9.40	5.08	38.90	40.50	15.09	2.03	18.11	31.08	2.42
SSC12A-2 SSC60-2	19.05	11.91	12.57	5.94	48.80	50.10	18/18.2	2.42	22.78	44.52	3.58/3.62
SSC16A-2 SSC80-2	25.40	15.88	15.75	7.92	62.70	63.30	24.00	3.25	29.29	79.38	6.12
SSC20A-2 SSC100-2	31.75	19.05	18.90	9.53	76.40	80.50	30.00	4.00	35.76	123.9	9.08
SSC24A-2 SSC120-2	38.10	22.23	25.22	11.10	95.80	99.70	35.70	4.80	45.44	145	13.60
SSC28A-2 SSC140-2	44.45	25.40	25.22	12.70	103.30	107.90	41.00	5.60	48.87	188	16.86
SSC32A-2 SSC160-2	50.80	28.58	31.55	14.27	123.30	128.10	47.80	6.40	58.55	237.36	22.90

*套筒链 d1 表示套筒外径
*d1 in the table indicate the external diameter of bush

链条材质: 300,400,600 系列不锈钢
Material: 300,400,600 series stainless steel

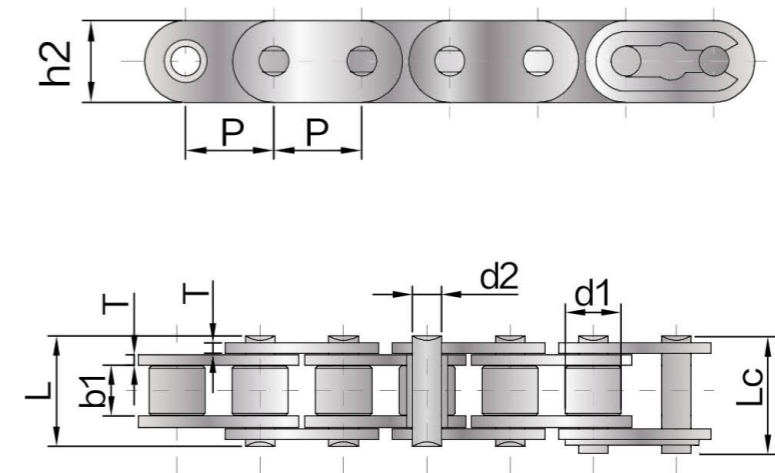


A 系列短节距直板精密滚子链
Short pitch precision roller chain with straight plate (A series)

FULONG Chain No.	Pitch	Roller Diameter	Width Between Inner Plates	Pin Diameter	Pin Length	Inner Plate Height	Plate Thickness	Transverse Pitch	Ultimate Tensile Strength	Weight Per Meter	
富龙链号	节距	滚子直径	内节内宽	销轴直径	销轴长度	内链板高度	链板厚度	排距	极限拉伸载荷	每米重量	
	P	d1	b1	d2	L	Lc	h2	T	Q	q	
		max	min	max	max	max	max	max	min		
	mm	mm	mm	mm	mm	mm	mm	mm	KN	Kg/m	
SSC08A-3 SSC40-3	12.70	7.95	7.85	3.96	45.40	47.80	12.00	1.50	14.38	29.61	2.40
SSC10A-3 SSC50-3	15.88	10.16	9.40	5.08	57.00	58.60	15.09	2.03	18.11	46.62	3.62
SSC12A-3 SSC60-3	19.05	11.91	12.57	5.94	71.50	73.10	18/18.2	2.42	22.78	66.78	5.36/5.41
SSC16A-3 SSC80-3	25.40	15.88	15.75	7.92	91.70	93.05	24.00	3.25	29.29	119.07	9.10
SSC20A-3 SSC100-3	31.75	19.05	18.90	9.53	112.20	116.30	30.00	4.00	35.76	185.85	13.60
SSC24A-3 SSC120-3	38.10	22.23	25.22	11.10	141.40	145.20	35.70	4.80	45.44	217.5	20.43
SSC28A-3 SSC140-3	44.45	25.40	25.22	12.70	152.20	156.80	41.00	5.60	48.87	282	25.23
SSC32A-3 SSC160-3	50.80	28.58	31.55	14.27	181.80	186.60	47.80	6.40	58.55	356.04	43.19

* 套筒链 d1 表示套筒外径
*d1 in the table indicate the external diameter of bush

链条材质: 300,400,600 系列不锈钢
Material: 300,400,600 series stainless steel

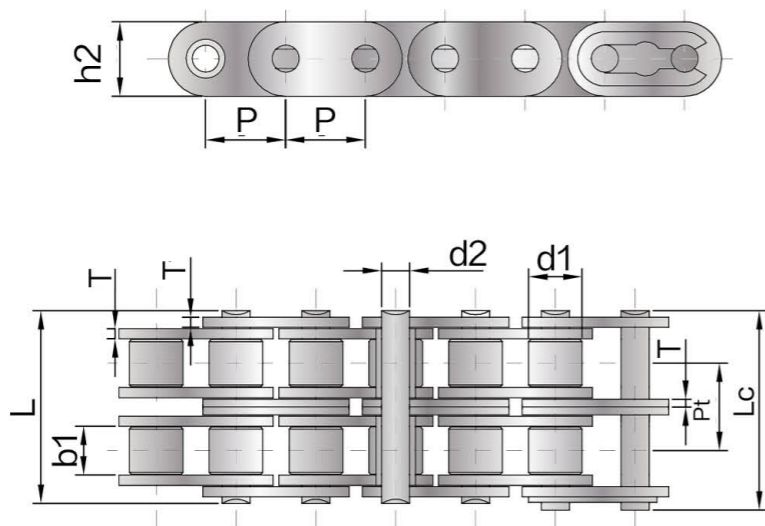


B 系列短节距直板精密滚子链
Short pitch precision roller chain with straight plate (B series)

FULONG Chain No.	Pitch	Roller Diameter	Width Between Inner Plates	Pin Diameter	Pin Length	Inner Plate Height	Plate Thickness	Transverse Pitch	Ultimate Tensile Strength	Weight Per Meter	
富龙链号	节距	滚子直径	内节内宽	销轴直径	销轴长度	内链板高度	链板厚度	排距	极限拉伸载荷	每米重量	
	P	d1	b1	d2	L	Lc	h2	T	Q	q	
		max	min	max	max	max	max	max	min		
	mm	mm	mm	mm	mm	mm	mm	mm	KN	Kg/m	
SSC08B-1	12.700	8.51	7.75	4.45	16.70	18.20	11.80	1.60	-	12.60	0.80
SSC10B-1	15.875	10.16	9.65	5.08	19.50	20.90	14.70	1.70	-	15.68	1.06
SSC12B-1	19.050	12.07	11.68	5.72	22.50	24.35	16.00	1.85	-	20.30	1.32
SSC16B-1	25.400	15.88	17.02	8.28	36.10	38.35	21/24	4.15/3.1	-	42.00	3.08/3.49
SSC20B-1	31.750	19.05	19.56	10.19	41.30	45.00	26.40	4.5/3.5	-	60.50	4.16
SSC24B-1	38.100	25.04	25.40	14.63	53.40	57.80	33.20	6.0/4.8	-	106.80	7.47
SSC28B-1	44.450	27.94	30.99	15.90	65.10	69.50	36.70	7.5/6.0	-	130.00	9.90
SSC32B-1	50.800	29.21	30.99	17.81	66.00	71.00	42.00	7.0/6.0	-	155.00	10.45

* 套筒链 d1 表示套筒外径
*d1 in the table indicate the external diameter of bush

链条材质: 300,400,600 系列不锈钢
Material: 300,400,600 series stainless steel

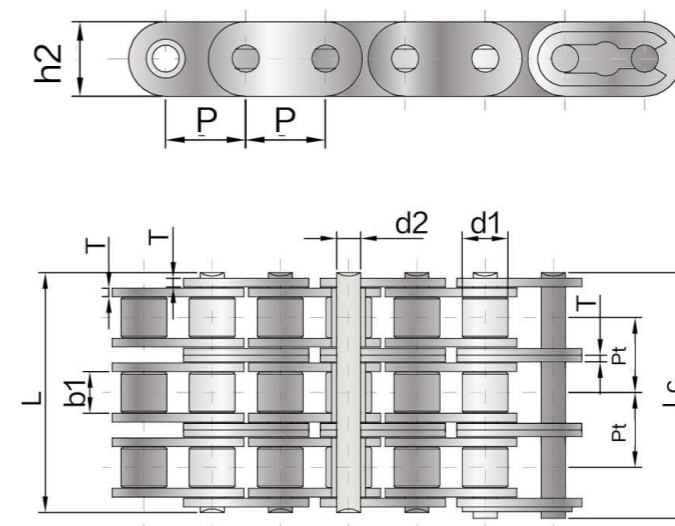


B 系列短节距直板精密滚子链
Short pitch precision roller chain with straight plate (B series)

FULONG Chain No.	Pitch	Roller Diameter	Width Between Inner Plates	Pin Diameter	Pin Length		Inner Plate Height	Plate Thickness	Transverse Pitch	Ultimate Tensile Strength	Weight Per Meter
富龙链号	P	d1	b1	d2	L	Lc	h2	T	Pt	Q	q
	mm	mm	mm	mm	mm	mm	mm	mm	mm	KN	Kg/m
SSC08B-2	12.700	8.51	7.75	4.45	31.20	32.20	11.80	1.60	13.92	25.00	1.45
SSC10B-2	15.875	10.16	9.65	5.08	36.10	38.00	14.70	1.70	16.59	31.36	2.00
SSC12B-2	19.050	12.07	11.68	5.72	42.00	43.65	16.00	1.85	19.46	40.60	2.62
SSC16B-2	25.400	15.88	17.02	8.28	68.00	69.15	21/24	4.15/3.1	31.88	84.00	6.10/6.92
SSC20B-2	31.750	19.05	19.56	10.19	77.80	81.50	26.40	4.5/3.5	36.45	121.00	8.23
SSC24B-2	38.100	25.04	25.40	14.63	101.70	106.20	33.20	6.0/4.8	48.36	213.60	14.77
SSC28B-2	44.450	27.94	30.99	15.90	124.60	129.10	36.70	7.5/6.0	59.56	260.00	19.82
SSC32B-2	50.800	29.21	30.99	17.81	124.60	129.60	42.00	7.0/6.0	58.55	310.00	20.94

* 套筒链 d1 表示套筒外径
*d1 in the table indicate the external diameter of bush

链条材质: 300,400,600 系列不锈钢
Material: 300,400,600 series stainless steel



B 系列短节距直板精密滚子链
Short pitch precision roller chain with straight plate (B series)

FULONG Chain No.	Pitch	Roller Diameter	Width Between Inner Plates	Pin Diameter	Pin Length		Inner Plate Height	Plate Thickness	Transverse Pitch	Ultimate Tensile Strength	Weight Per Meter
富龙链号	P	d1	b1	d2	L	Lc	h2	T	Pt	Q	q
	mm	mm	mm	mm	mm	mm	mm	mm	mm	KN	Kg/m
SSC08B-3	12.700	8.51	7.75	4.45	45.10	46.10	11.80	1.60	13.92	37.80	2.10
SSC10B-3	15.875	10.16	9.65	5.08	52.70	54.10	14.70	1.70	16.59	47.04	2.87
SSC12B-3	19.050	12.07	11.68	5.72	61.50	63.20	16.00	1.85	19.46	60.90	3.89
SSC16B-3	25.400	15.88	17.02	8.28	99.80	101.20	21/24	4.15/3.1	31.88	126.00	9.12/10.34
SSC20B-3	31.750	19.05	19.56	10.19	114.20	117.90	26.40	4.5/3.5	36.45	181.50	11.34
SSC24B-3	38.100	25.04	25.40	14.63	150.10	154.60	33.20	6.0/4.8	48.36	320.40	22.10
SSC28B-3	44.450	27.94	30.99	15.90	184.20	188.70	36.70	7.5/6.0	59.56	390.00	29.64
SSC32B-3	50.800	29.21	30.99	17.81	183.20	188.20	42.00	7.0/6.0	58.55	465.00	31.56

* 套筒链 d1 表示套筒外径
*d1 in the table indicate the external diameter of bush

链条材质: 300,400,600 系列不锈钢
Material: 300,400,600 series stainless steel

传动链
Driving chain

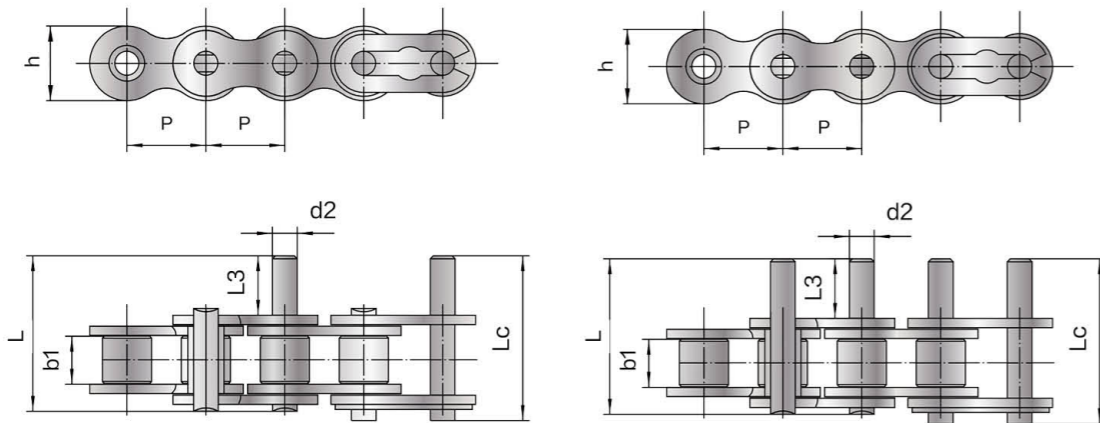
输送带
Conveyor chain

板式链
Leaf chain

农机链
Agricultural chain

焊接链
Welded chain

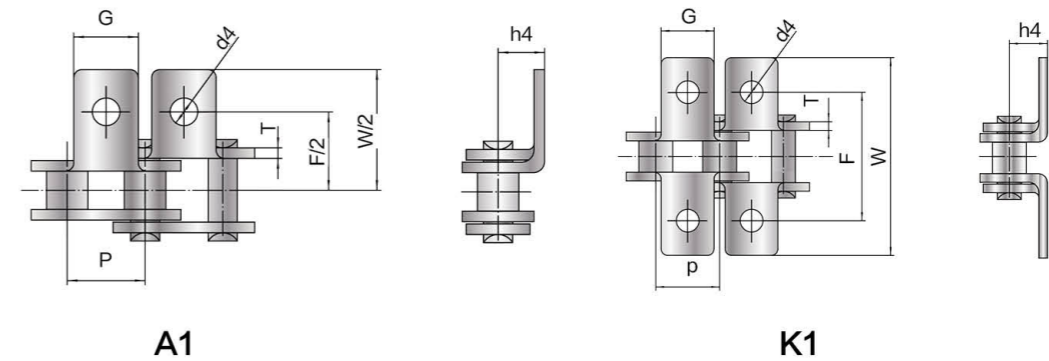
特殊链
Special chain



短节距带加长销输送链
Short pitch conveyor chain with extended pin

FULONG Chain No.	P	b1	d2	L3	L	Lc
富龙链号	mm	mm	mm	mm	mm	mm
SS06C	SS35	9.525	4.77	3.58	9.50	21.60
SS08A	SS40	12.700	7.85	3.96	9.50	26.20
SS10A	SS50	15.875	9.40	5.08	11.90	31.30
SS12A	SS60	19.050	12.57	5.94	14.30	40.60
SS16A	SS80	25.400	15.75	7.92	19.10	53.30
SS20A	SS100	31.750	18.90	9.53	23.80	66.10
SS24A	SS120	38.100	25.22	11.10	28.60	80.40
SS28A	SS140	44.450	25.22	12.70	33.30	89.40
SS32A	SS160	50.800	31.55	14.27	38.10	99.60
SS08B	-	12.700	7.75	4.45	9.50	26.60
SS10B	-	15.875	9.65	5.08	11.90	31.50
SS12B	-	19.050	11.68	5.72	14.30	37.10
SS16B	-	25.400	17.08	8.28	19.10	54.30
SS20B	-	31.750	19.56	10.19	41.00	83.60
SS24B	-	38.100	25.40	14.63	50.70	105.80
SS28B	-	44.450	30.99	15.90	61.90	128.40
SS32B	-	50.800	30.99	17.81	64.80	131.80

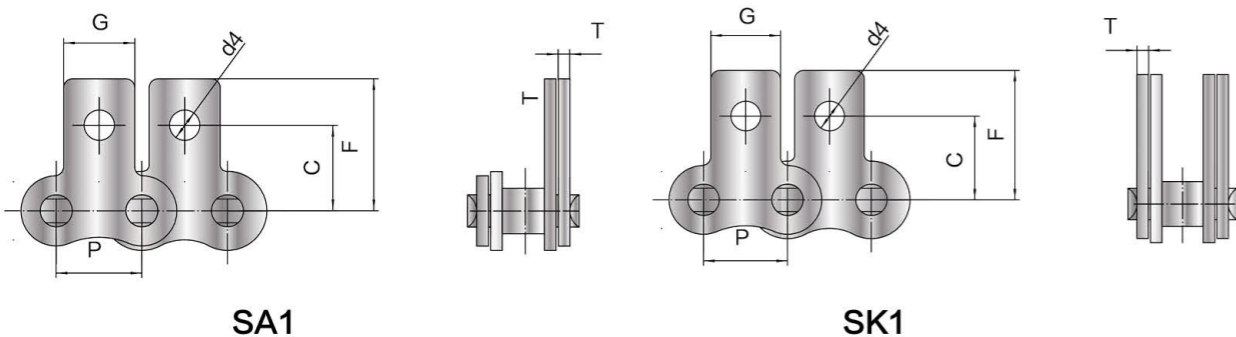
链条材质: 300,400,600 系列不锈钢
Material: 300,400,600 series stainless steel



短节距带弯板输送链
Short pitch conveyor chain with bend plate

FULONG Chain No.	P	G	F	W	h4	d4
富龙链号	mm	mm	mm	mm	mm	mm
SS08A	SS40	12.700	9.50	25.40	35.20	7.90
SS10A	SS50	15.875	12.70	31.75	46.20	10.30
SS12A	SS60	19.050	15.90	38.10	55.60	11.90
SS16A	SS80	25.400	19.10	50.80	64.80	15.90
SS20A	SS100	31.750	25.40	63.50	89.80	19.80
SS24A	SS120	38.100	28.60	76.20	108.50	23.00
SS28A	SS140	44.450	34.90	88.90	123.00	28.60
SS32A	SS160	50.800	38.10	101.60	142.80	31.80
SS06B	-	9.525	8.00	19.04	27.00	6.50
SS08B	-	12.700	9.50	25.40	36.40	8.90
SS10B	-	15.875	14.30	31.75	44.60	10.31
SS12B	-	19.050	16.00	38.10	52.40	13.46
SS16B	-	25.400	19.10	50.80	72.60	15.88

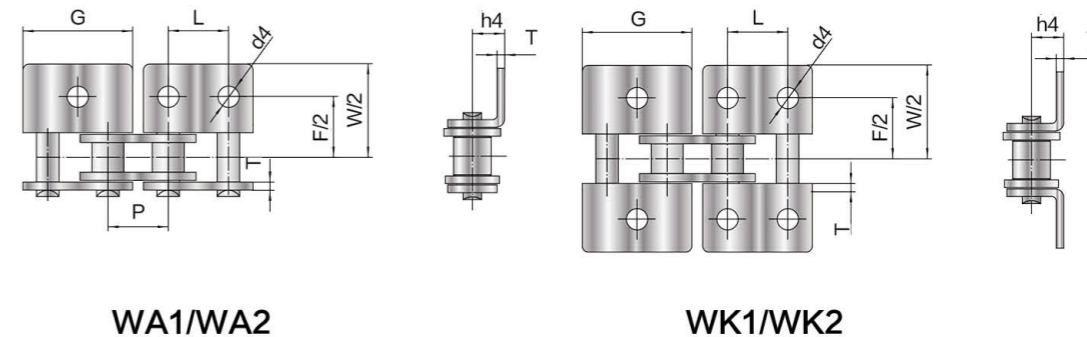
链条材质: 300,400,600 系列不锈钢
Material: 300,400,600 series stainless steel



短节距带直立附板输送链
Short pitch conveyor chain with straight plate

FULONG Chain No.	P	G	F	C	d4	
富龙链号	mm	mm	mm	mm	mm	
SS08A	SS40	12.700	9.50	19.05	12.70	3.40
SS10A	SS50	15.875	12.70	25.25	15.90	5.50
SS12A	SS60	19.050	15.90	29.33	18.30	5.50
SS16A	SS80	25.400	19.10	34.70	24.60	6.80
SS20A	SS100	31.750	25.40	43.30	31.80	9.20
SS24A	SS120	38.100	28.60	51.60	36.50	9.80
SS28A	SS140	44.450	34.90	62.00	44.50	11.40
SS32A	SS160	50.800	38.10	69.85	50.80	13.10
SS06B	-	9.525	8.00	13.50	9.52	3.50
SS08B	-	12.700	9.50	18.90	13.55	4.30
SS10B	-	15.875	14.30	22.95	16.50	5.30
SS12B	-	19.050	16.00	28.60	21.45	6.40
SS16B	-	25.400	19.10	34.00	23.15	6.40

链条材质: 300,400,600 系列不锈钢
Material: 300,400,600 series stainless steel



短节距带弯板输送链
Short pitch conveyor chain with bend plate

FULONG Chain No.	P	G	L	F	W	h4	d4	
富龙链号	mm	mm	mm	mm	mm	mm	mm	
SS08A	SS40	12.700	23.00	12.70	25.40	35.60	7.90	3.40
SS10A	SS50	15.875	28.80	15.875	31.75	46.80	10.30	5.50
SS12A	SS60	19.050	34.65	19.05	38.10	56.40	11.90	5.50
SS16A	SS80	25.400	45.90	25.40	50.80	73.20	15.90	6.80
SS20A	SS100	31.750	57.65	31.75	63.50	89.80	19.80	9.20
SS08B	-	12.700	24.00	12.70	25.40	36.40	8.90	4.30
SS10B	-	15.875	29.58	15.875	31.75	44.60	10.31	5.30
SS12B	-	19.050	34.05	19.05	38.10	52.40	13.46	6.40
SS16B	-	25.400	46.40	25.40	50.80	72.60	15.88	6.40

链条材质: 300,400,600 系列不锈钢
Material: 300,400,600 series stainless steel

传动链
Driving chain

输送链
Conveyor chain

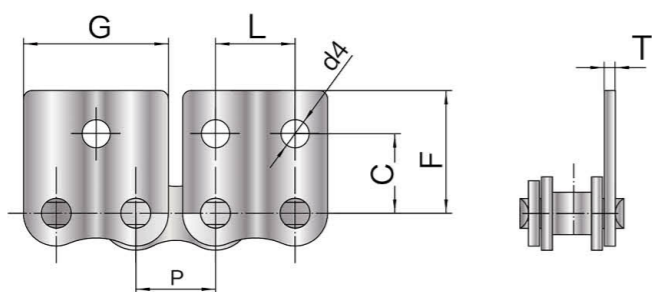
板式链
Leaf chain

农机链
Agricultural chain

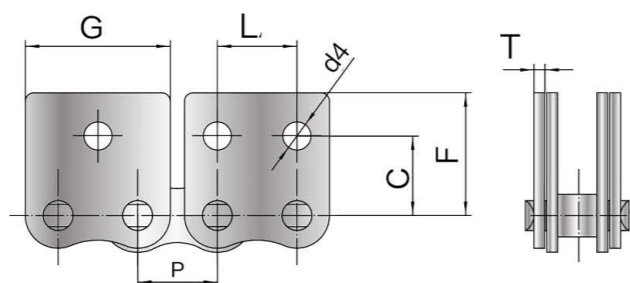
焊接链
Welded chain

特殊链
Special chain

WSA1/WSA2



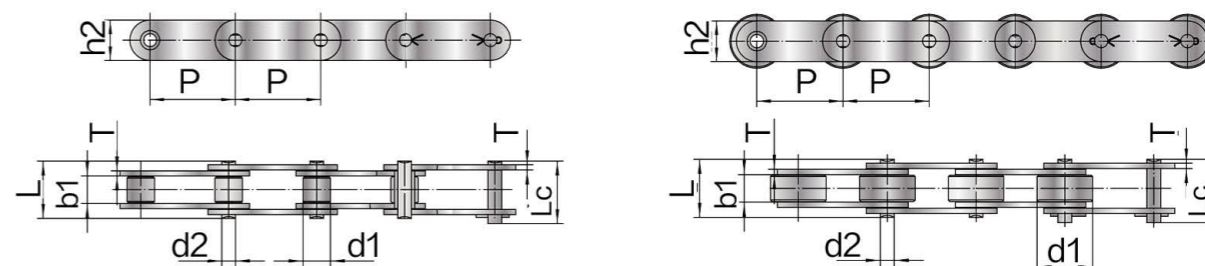
WSK1/WSK2



短节距带直立附板输送链
Short pitch conveyor chain with straight plate

FULONG Chain No.	P	G	L	C	F	d4
富龙链号	mm	mm	mm	mm	mm	mm
SS08A SS40	12.700	23.00	12.70	12.70	17.40	3.40
SS10A SS50	15.875	28.80	15.88	15.88	23.05	5.50
SS12A SS60	19.050	34.65	19.05	18.30	26.86	5.50
SS16A SS80	25.400	45.90	25.40	24.60	35.45	6.80
SS20A SS100	31.750	57.65	31.75	31.80	44.00	9.20
SS08B -	12.700	23.30	12.70	13.35	18.90	4.30
SS10B -	15.875	29.58	15.88	16.50	22.95	5.30
SS12B -	19.050	34.05	19.05	21.45	28.60	6.40
SS16B -	25.400	46.40	25.40	23.15	34.00	6.40

链条材质: 300,400,600 系列不锈钢
Material: 300,400,600 series stainless steel



双节距输送链
Double pitch conveyor chain

FULONG Chain No.	Pitch	Roller Diameter	Width Between Inner Plates	Pin Diameter	Pin Length	Inner Plate Height	Plate Thickness	Ultimate Tensile Strength	Weight Per Meter	
富龙链号	节距	滚子直径	内节内宽	销轴直径	销轴长度	内链板高度	链板厚度	极限拉伸载荷	每米重量	
	P	d1	b1	d2	L	Lc	h2	T	Q	
	mm	mm	mm	mm	mm	mm	mm	KN	kg/m	
SSC208A SSC2040	25.400	7.95	7.85	3.96	16.60	17.80	12.00	1.50	9.87	0.50
SSC208AL SSC2042	25.400	15.88	7.85	3.96	16.60	17.80	12.00	1.50	9.87	0.84
SSC208AH SSC2040H	25.400	7.95	7.85	3.96	18.80	19.90	12.00	2.03	9.87	0.65
SSC208B	25.400	8.51	7.75	4.45	16.70	18.20	11.80	1.60	12.06	0.55
SSC208BL	25.400	15.88	7.75	4.45	16.70	18.20	11.80	1.60	12.06	0.89
SSC210A SSC2050	31.750	10.16	9.40	5.08	20.70	22.20	15.00	2.03	15.54	0.78
SSC210AL SSC2052	31.750	19.05	9.40	5.08	20.70	22.20	15.00	2.03	15.54	1.27
SSC212A SSC2060	38.100	11.91	12.57	5.94	25.90	27.70	18.00	2.42	22.26	1.12
SSC212AL SSC2062	38.100	22.23	12.57	5.94	25.90	27.70	18.00	2.42	22.26	1.61
SSC212AH SSC2060H	38.100	11.91	12.57	5.94	29.20	31.60	18.00	3.25	22.26	1.44
SSC212AHL SSC2062H	38.100	22.23	12.57	5.94	29.20	31.60	18.00	3.25	22.26	2.07
SSC216A SSC2080	50.800	15.88	15.75	7.92	32.70	36.50	24.00	3.25	39.69	2.08
SSC216AL SSC2082	50.800	28.58	15.75	7.92	32.70	36.50	24.00	3.25	39.69	3.12
SSC216AH SSC2080H	50.800	15.88	15.75	7.92	36.20	39.40	24.00	4.00	39.69	2.54
SSC216AHL SSC2082H	50.800	28.58	15.75	7.92	36.20	39.40	24.00	4.00	39.69	3.58
SSC220A SSC2100	63.500	19.05	18.90	9.53	40.40	44.70	30.00	4.00	61.95	3.01
SSC220AL SSC2102	63.500	39.67	18.90	9.53	40.40	44.70	30.00	4.00	61.95	4.83
SSC220AH SSC2100H	63.500	19.05	18.90	9.53	43.60	46.90	30.00	4.80	61.95	3.56
SSC220AHL SSC2102H	63.500	39.67	18.90	9.53	43.60	46.90	30.00	4.80	61.95	5.38
SSC224A SSC2120	76.200	22.23	25.22	11.10	50.30	54.30	35.70	4.80	72.50	4.66
SSC224AL SSC2122	76.200	44.45	25.22	11.10	50.30	54.30	35.70	4.80	72.50	7.66
SSC224AH SSC2120H	76.200	22.23	25.22	11.10	53.50	57.50	35.70	5.60	72.50	5.26
SSC224AHL SSC2122H	76.200	44.45	25.22	11.10	53.50	57.50	35.70	5.60	72.50	8.26
SSC232A SSC2160	101.600	28.58	31.75	14.27	64.80	69.60	47.80	6.40	118.68	8.15
SSC232AL SSC2162	101.600	57.15	31.75	14.27	64.80	69.60	47.80	6.40	118.68	13.00
SSC232AH SSC2160H	101.600	28.58	31.75	14.27	68.20	73.00	47.80	7.20	118.68	9.06
SSC232AHL SSC2162H	101.600	57.15	31.75	14.27	68.20	73.00	47.80	7.20	118.68	12.77

链条材质: 300,400,600 系列不锈钢
Material: 300,400,600 series stainless steel

传动链
Driving chain

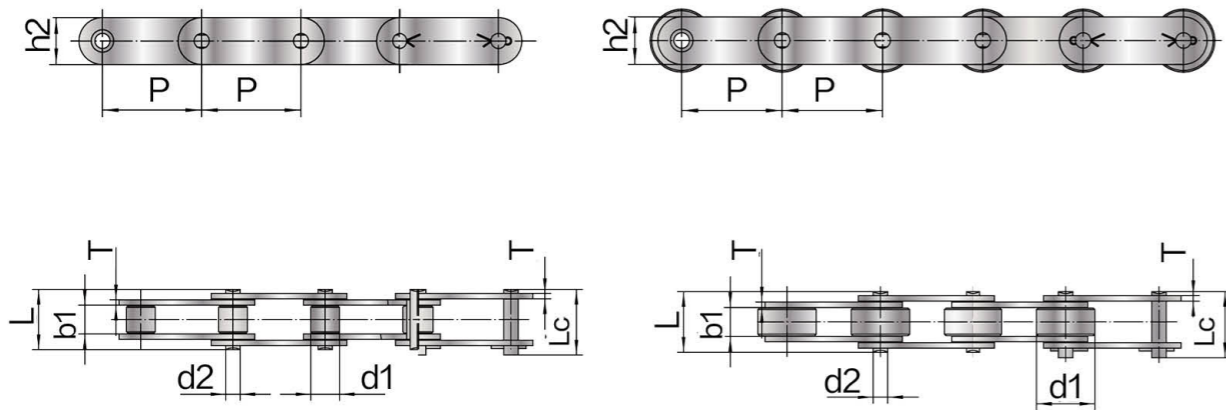
输送链
Conveyor chain

板式链
Leaf chain

农机链
Agricultural chain

焊接链
Welded chain

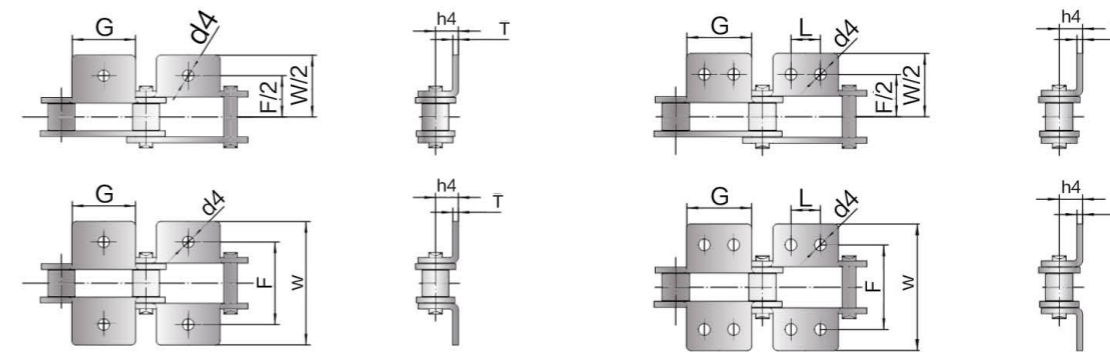
特殊链
Special chain



双节距输送链
Double pitch conveyor chain

FULONG Chain No.	Pitch	Roller Diameter	Width Between Inner Plates	Pin Diameter	Pin Length		Inner Plate Height	Plate Thickness	Ultimate Tensile Strength	Weight Per Meter
富龙链号	节距	滚子直径	内节内宽	销轴直径	销轴长度	销轴长度	内链板高度	链板厚度	极限拉伸载荷	每米重量
	P	d1	b1	d2	L	Lc	h2	T	Q	q
	mm	mm	mm	mm	mm	mm	mm	mm	KN	Kg/m
SSC216AHL SSC2082H	50.800	28.58	15.75	7.92	36.20	39.20	24.10	4.00	39.20	3.58
SSC220A SSC2100	63.500	19.05	18.90	9.53	40.30	443.00	30.20	4.00	60.20	3.01
SSC220AL SSC2102	63.500	39.67	18.90	9.53	40.30	43.00	30.20	4.00	60.20	4.83
SSC220AH SSC2100H	63.500	19.05	18.90	9.53	43.60	46.85	30.20	4.80	60.20	3.56
SSC220AHL SSC2102H	63.500	39.67	18.90	9.53	43.60	46.85	30.20	4.80	60.20	5.38
SSC224A SSC2120	76.200	22.23	25.22	11.10	50.30	54.30	36.10	4.80	93.00	4.66
SSC224AL SSC2122	76.200	44.45	25.22	11.10	50.30	54.30	36.10	4.80	93.00	7.66
SSC224AH SSC2120H	76.200	22.23	25.22	11.10	53.80	56.90	36.10	5.60	93.00	5.26
SSC224AHL SSC2122H	76.200	44.45	25.22	11.10	53.80	56.90	36.10	5.60	93.00	8.26
SSC232A SSC2160	101.600	28.58	31.75	14.27	65.50	69.00	48.00	6.40	118.68	8.15
SSC232AL SSC2162	101.600	57.15	31.75	14.27	65.50	69.00	48.00	6.40	118.68	13.00
SSC232AH SSC2160H	101.600	28.58	31.75	14.27	68.50	72.35	48.00	7.20	118.68	9.06
SSC232AHL SSC2162H	101.600	57.15	31.75	14.27	68.50	72.35	48.00	7.20	118.68	12.77

链条材质: 300,400,600 系列不锈钢
Material: 300,400,600 series stainless steel



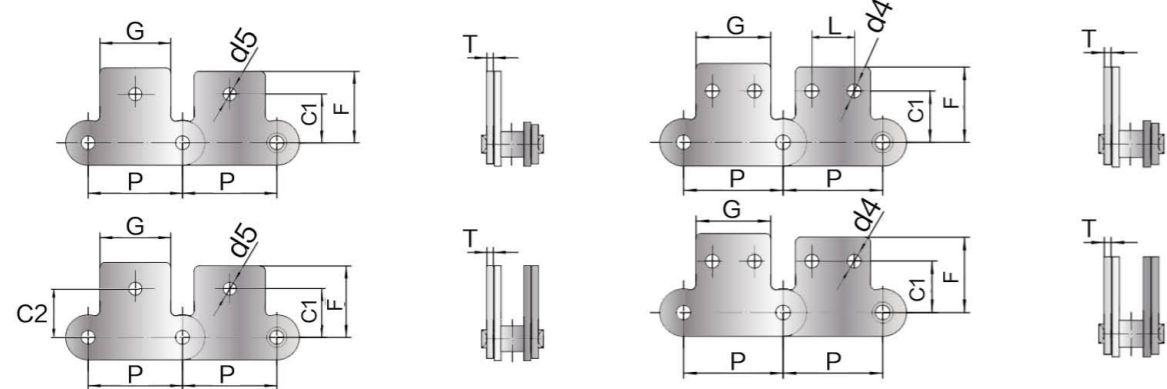
A1&A2

K1&K2

双节距带附件输送链
Double pitch conveyor chain with attachment

FULONG Chain No.	P	G	L	F	W	h4	d4
富龙链号	mm	mm	mm	mm	mm	mm	mm
SS208A SSC2040	25.40	19.10	9.50	25.40	39.60	9.10	3.40
SS208AL SSC2042	25.40	23.20	12.70	25.40	39.60	9.10	4.50
SS208B	25.40	23.20	12.70	25.40	39.60	9.10	4.50
SS208BL	25.40	23.20	12.70	25.40	39.60	9.10	4.50
SS210A SSC2050	31.75	23.80	11.90	31.80	49.00	11.10	5.50
SS210AL SSC2052	31.75	23.80	11.90	31.80	49.00	11.10	5.50
SS212A SSC2060	38.10	28.60	14.30	42.90	67.80	14.70	5.50
SS212AL SSC2062	38.10	28.60	14.30	42.90	67.80	14.70	5.50
SS216A SSC2080	50.80	38.10	19.10	55.60	87.80	19.10	6.80
SS216AL SSC2082	50.80	38.10	19.10	55.60	87.80	19.10	6.80
SS220A SSC2100	63.50	47.60	23.80	66.60	107.50	23.40	9.20
SS220AL SSC2102	63.50	47.60	23.80	66.60	107.50	23.40	9.20
SS224A SSC2120	76.20	57.20	28.60	79.30	121.40	27.80	11.00
SS224AL SSC2122	76.20	57.20	28.60	79.30	121.40	27.80	11.00
SS232A SSC2160	101.60	76.20	38.10	104.70	151.60	36.50	13.10
SS232AL SSC2162	101.60	76.20	38.10	104.70	151.60	36.50	13.10

链条材质: 300,400,600 系列不锈钢
Material: 300,400,600 series stainless steel



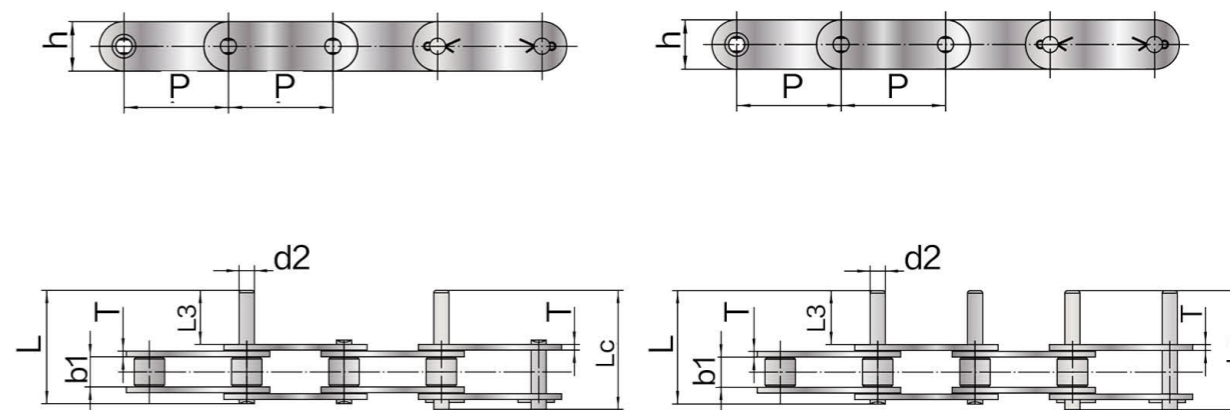
SA1&SA2

SK1&SK2

双节距输送链附件SA1&SA2&SK1&SK2
Double pitch conveyor chain attachment SA1&SA2&SK1&SK2

FULONG Chain No.	P	G	L	C1	C2	F	d4	d5
富龙链号	mm	mm	mm	mm	mm	mm	mm	mm
SS208A SSC2040	25.40	19.10	9.50	11.10	13.50	20.50	3.40	5.50
SS208AL SSC2042								
SS208B	25.40	23.20	12.70	11.10	13.50	20.50	4.50	5.50
SS208BL								
SS210A SSC2050	31.75	23.80	11.90	14.30	15.90	25.00	5.50	6.60
SS210AL SSC2052								
SS212A SSC2060	38.10	28.60	14.30	17.50	19.10	32.90	5.50	9.20
SS212AL SSC2062								
SS216A SSC2080	50.80	38.10	19.10	22.20	25.40	43.50	6.60	11.00
SS216AL SSC2082								
SS220A SSC2100	63.50	47.60	23.80	28.60	31.80	50.40	8.40	13.00
SS220AL SSC2102								

链条材质: 300,400,600 系列不锈钢
Material: 300,400,600 series stainless steel



双节距带加长销输送链
Double pitch conveyer chain with extended pin

FULONG Chain No.	P	b1	d2	L3	L	Lc
富龙链号	mm	mm	mm	mm	mm	mm
SSC208A SSC2040	25.400	7.85	3.96	9.50	25.10	26.20
SSC208AL SSC2042						
SSC210A SSC2050	31.750	9.40	5.08	11.90	31.30	33.10
SSC210AL SSC2052						
SSC212A SSC2060	38.100	12.57	5.94	14.30	38.60	40.60
SSC212AL SSC2062						
SSC212AH SSC2060H	38.100	12.57	5.94	14.30	42.00	43.80
SSC212AHL SSC2062H						
SSC216A SSC2080	50.800	15.75	7.92	19.10	50.30	53.30
SSC216AL SSC2082						
SSC216AH SSC2080H	50.800	15.75	7.92	19.10	53.50	55.00
SSC216AHL SSC2082H						
SSC220A SSC2100	63.500	18.90	9.53	23.80	61.80	66.10
SSC220AL SSC2102						
SSC220AH SSC2100H	63.500	18.90	9.53	23.80	65.00	68.30
SSC220AHL SSC2102H						

链条材质: 300,400,600 系列不锈钢
Material: 300,400,600 series stainless steel

传动链
Driving chain

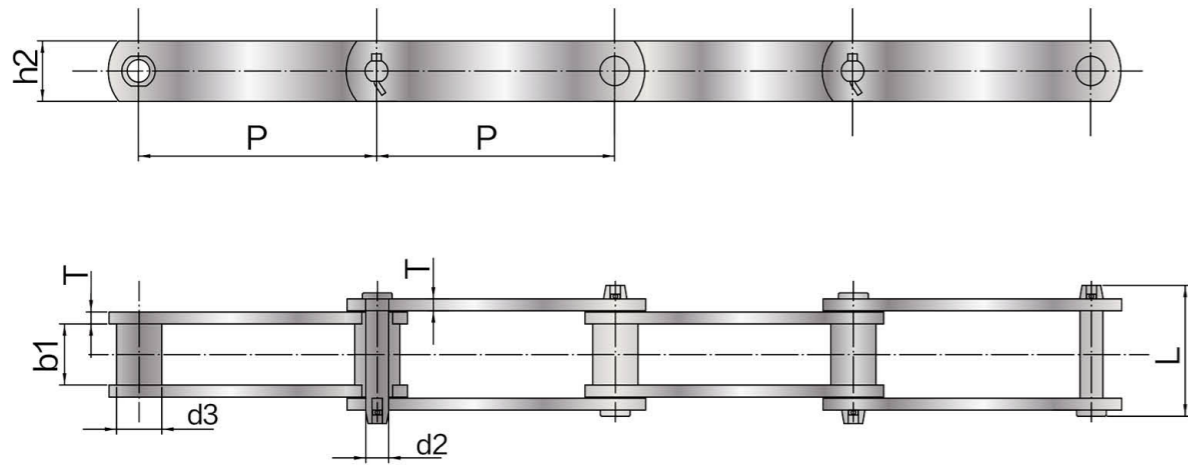
输送链
Conveyor chain

板式链
Leaf chain

农机链
Agricultural chain

焊接链
Welded chain

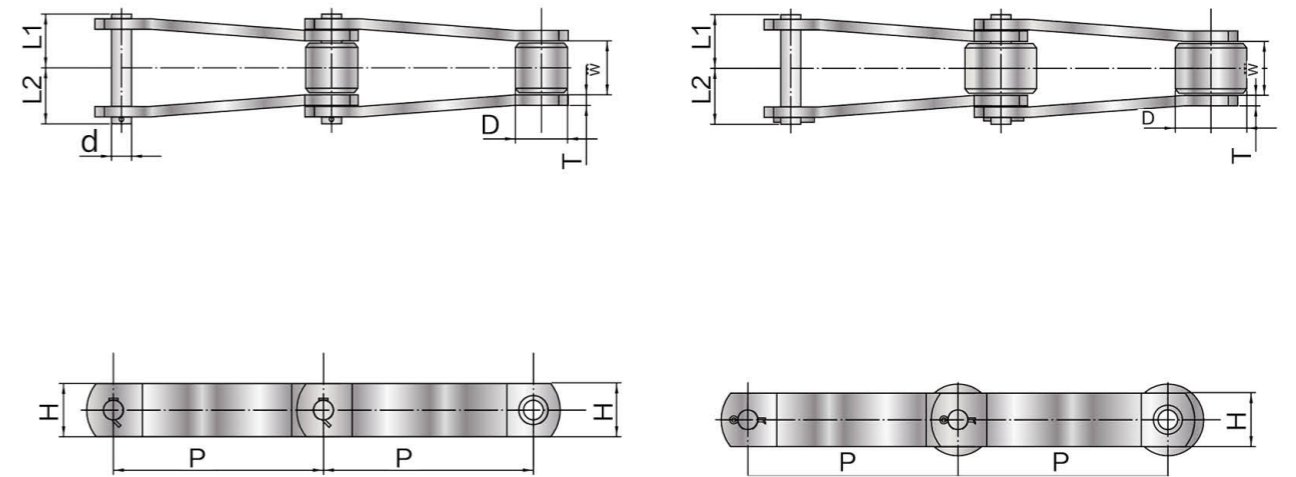
特殊链
Special chain



套筒滚子输送链
Conveyor bushing chain

FULONG Chain No.	Pitch	Bush Diameter	Width Between Inner Plates	Pin Diameter	Pin Length	Plate Height	Plate Thickness	Average Tensile Strength	Weight Per Meter
富龙链号	节距	套筒直径	内节内宽	销轴直径	销轴长度	链板高度	链板厚度	平均极限载荷	每米重量
	P	d3	b1	d2	L	h2	T	Q	q
	mm	mm	mm	mm	mm	mm	mm	KN	Kg/m
SS188	66.27	22.40	26.90	12.70	68.60	28.40	6.40	78.54	5.6
SS102B	101.6	25.40	54.10	15.88	111.30	38.10	9.7	117.040	10.4
SS825	101.6	29.76	39.69	19.05	55.56	50.80	9.5	149.230	8.7
SS825B	101.6	29.76	39.69	19.05	55.56	50.80	9.5	149.230	8.7
SS844	152.44	29.37	63.50	19.05	73.03	50.80	12.7	197.92	10.4
SS150PLUS	153.67	44.45	84.13	25.40	84.14	63.50	12.7	282.750	16.6

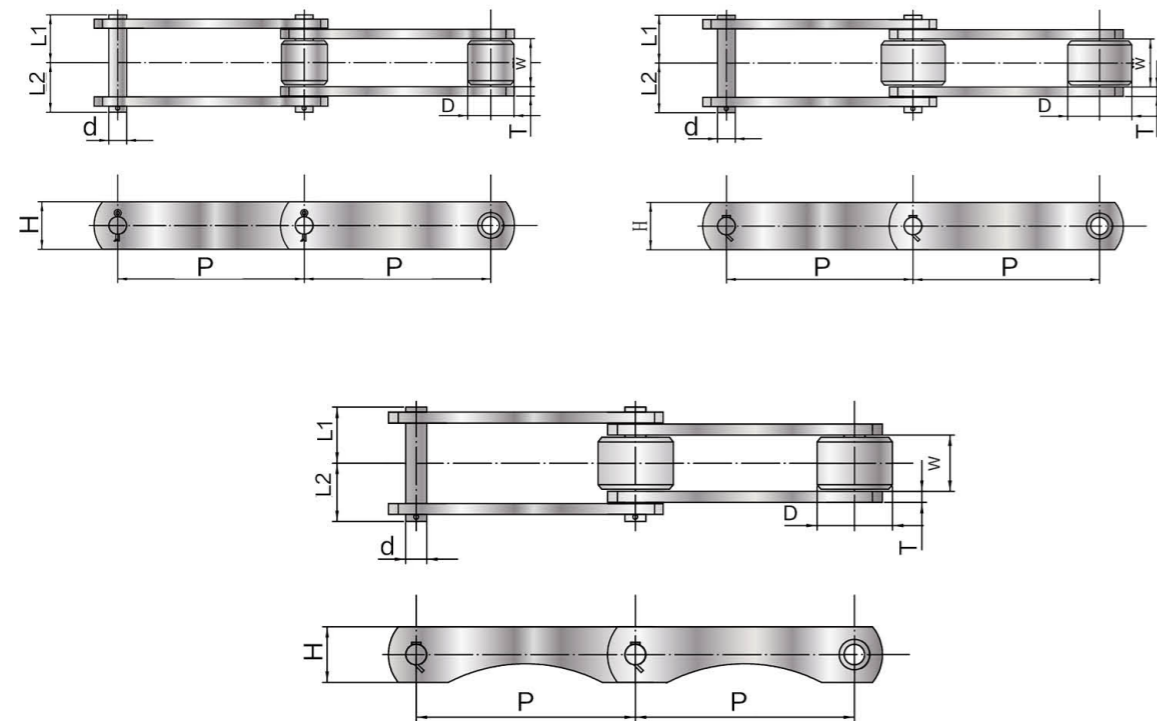
链条材质: 300,400,600 系列不锈钢
Material: 300,400,600 series stainless steel



套筒滚子输送链
Conveyor roller chain

FULONG Chain No.	Chain Type	Pitch	Roller		Pin		Chain plate		Ultimate Tensile Strength	Weight Per Meter	
富龙链号	链型	节距	滚子		销轴		链板		极限拉伸载荷	每米重量	
		P	D	W	d	L1	L2	T	H	Q	q
		mm	mm	mm	mm	mm	mm	mm	mm	KN	Kg/M
SS40H	8	78.11	31.75	18.1	15.88	40.05	46.65	8.0	38.0	136.50	10.2
SS1124	9	101.60	50.8	32.0	12.7	37.7	42.8	7.9	38.1	70.00	11.0
SS1125	9	101.60	50.8	32.6	17.5	39.5	45.1	7.9	44.5	108.50	12.7
SS113	9	102.60	50.8	37.5	17.5	38.0	45.0	6.3	38.1	66.50	10.2
SS124H	8	103.20	44.45	49.1	22.23	57.0	66.0	12.7	54.0	399.00	22.4
SS266	8	103.20	44.45	49.2	22.23	57.0	66.0	12.7	54.0	378.00	22.5
SS1130	9	152.40	63.5	37.6	19.05	38.5	45.6	6.5	50.8	98.00	12.8
SS2184	9	152.40	76.2	34.9	22.23	44.0	53.0	9.5	50.8	242.90	18.4

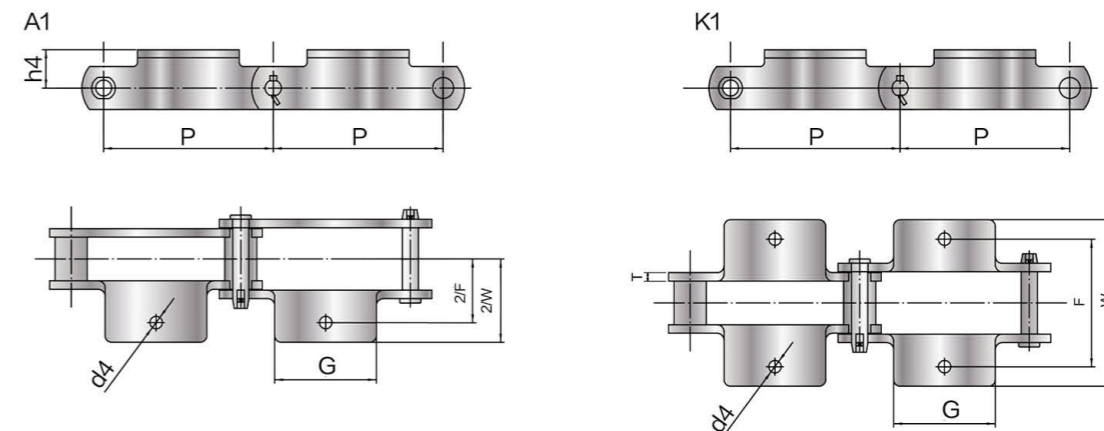
链条材质: 300,400,600 系列不锈钢
Material: 300,400,600 series stainless steel



套筒滚子输送链
Conveyor roller chain

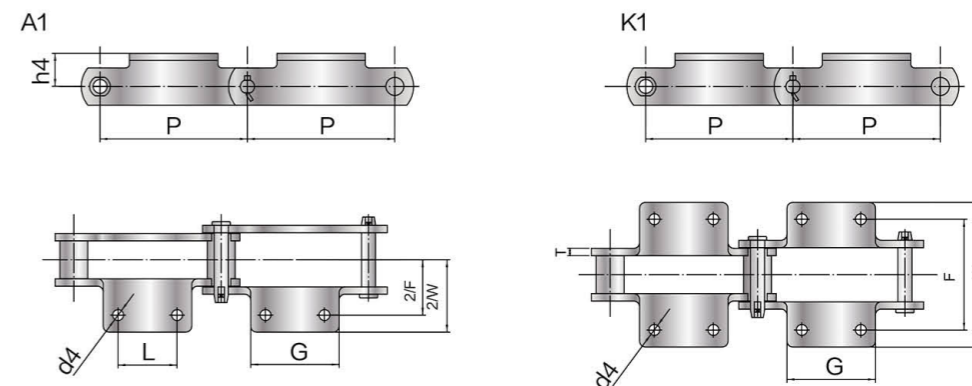
FULONG Chain No.	Chain Type	Pitch	Roller			Pin		Chain Plate		Ultimate Tensile Strength	Weight Per Meter
富龙链号	链型	节距	滚子			销轴		链板		极限拉伸载荷	每米重量
		P	D	W	d	L1	L2	T	H	Q	q
		mm	mm	mm	mm	mm	mm	mm	mm	KN	Kg/M
SS205	10	78.11	31.8	37.1	15.88	40.5	47.5	7.9	38.1	69.30	10.0
SS2188	11	101.6	44.45	33.85	15.88	39.9	46.1	7.9	41.3	79.80	11.0
SS1131	11	152.4	76.2	38.1	18.94	46.7	51.6	10.0	50.8	134.40	20.5
SS2124	12	152.4	69.8	40.0	19.05	46.1	53.6	9.5	52.9	87.50	26.0
SS2315	11	228.6	76.20	43.0	22.0	49.0	58.0	9.5	63.5	196.00	18.3

链条材质: 300,400,600 系列不锈钢
Material: 300,400,600 series stainless steel



带附件套筒输送链
Conveyor bushing chain with attachment

FULONG Chain No.	P	G	F	W	h4	d4	T
富龙链号	mm	mm	mm	mm	mm	mm	mm
SSS102B	101.60	77.0	121.0	180.8	25.4	10.2	9.7
SSS131	78.11	73.9	104.6	157.0	25.4	13.5	9.7
SSS188	66.27	54.6	95.2	131.6	20.6	10.2	6.4



FULONG Chain No.	P	L	G max	F	W max	h4	d4 max	T
富龙链号	mm	mm	mm	mm	mm	mm	mm	mm
SSS102B	101.60	44.50	69.90	134.90	180.80	25.40	10.20	9.70
SSS110	152.40	44.50	89.60	134.90	180.80	25.40	10.20	9.70
SSS111	120.90	58.70	92.70	158.80	210.80	38.10	13.50	9.70
SSS131	78.11	38.10	73.90	104.60	157.00	25.40	13.50	9.70
SSS150	153.67	69.90	108.70	190.50	249.40	47.80	13.50	12.70
SSS188	62.77	31.80	54.60	106.40	131.60	20.60	8.60	6.40
SSS856	152.40	63.50	103.10	184.20	241.30	47.80	16.80	12.70

链条材质: 300,400,600 系列不锈钢
Material: 300,400,600 series stainless steel

传动链
Driving chain

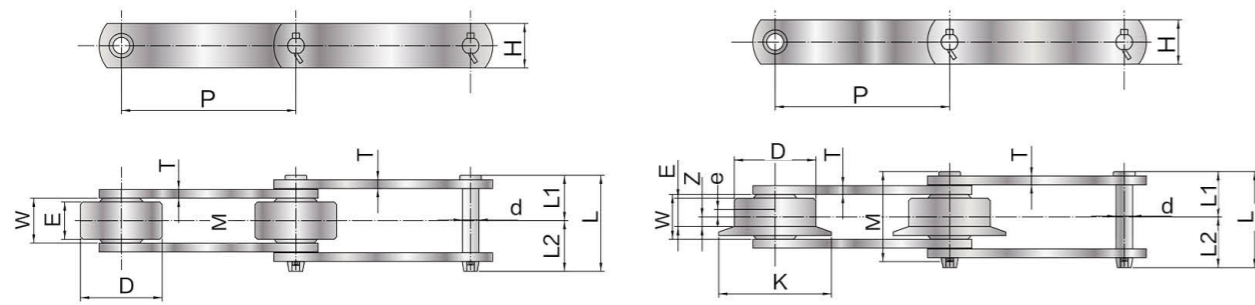
输送链
Conveyor chain

板式链
Leaf chain

农机链
Agricultural chain

焊接链
Welded chain

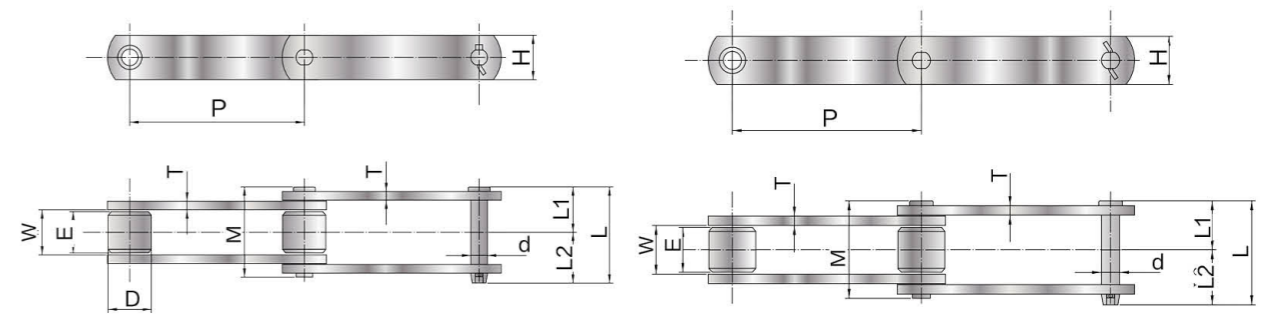
特殊链
Special chain



RF 系列输送链
RF type conveyor chain

FULONG Chain No. 富龙链号	Roller Type 滚子类型	Ultimate Tensile Strength 极限拉伸载荷 KN	Pitch 节距 P	Roller 滚子									Width Between Inner Plates 内节内宽 W
				R roller R 滚子			F roller F 滚子			S roller S 滚子	M/N roller M/N 滚子		
				D	E	D	K	E	e	Z	D	D	
SSRF03075	R/F/S	29.00	75	31.8	15.5	31.8	42	12	1.8	4.3	15.9	—	16.1
SSRF03100	R/F/S		100										
SSRF430	R/S	54.00	101.6	38.1	19	—	—	—	—	—	20.1	—	22.8
SSRF05075	S		75										
SSRF05100	R/F/S	69.00	100	40	19	40	50	14	2.5	4.5	22.2	—	22
SSRF05150	R/F/S		150										
SSRF204	S	78.00	66.27	—	—	—	—	—	—	—	22.2	—	27
SSRF450	R/F/S/M	78.00	101.6	44.5	23	44.5	55	18	2.5	6.5	22.2	25.4	27
SSRF08150	R/F/S/M	78.00	150	44.5	23	44.5	55	18	2.5	6.5	22.2	25.4	27
SSRF650	R/F/S/M	78.00	152.4	50.8	26	50.8	65	20	3	7	25.8	31.8	30.2
SSRF10100	R/S/M	113.00	100	50.8	27	—	—	—	—	—	29	31.8	30
SSRF10150	R/F/S/M		150				50.8	65	20	3	7		
SSRF214	R/S/M	127.00	101.6	44.5	27	—	—	—	—	—	31.8	34.9	31.6
SSRF205	S	127.00	78.11	—	—	—	—	—	—	—	31.8	—	37.1
SSRF6205	R/F/S/M	186.00	152.4	57.2	32	57.2	70	25	3.5	9	34.9	38.1	37.1
SSRF12200	R/F/S/M	186.00	200	65	32	65	80	24	4	8	34.9	38.1	37.1
SSRF12250	R/F/S/M		250										
SSRF212	R/S/M	245.00	152.4	69.9	32.5	—	—	—	—	—	40.1	44.4	37.1
SSRF17200	R/F/S/M	245.00	200										
SSRF17250	R/F/S/M		250	80	44	80	100	34	5	12	40.1	44.5	51.4

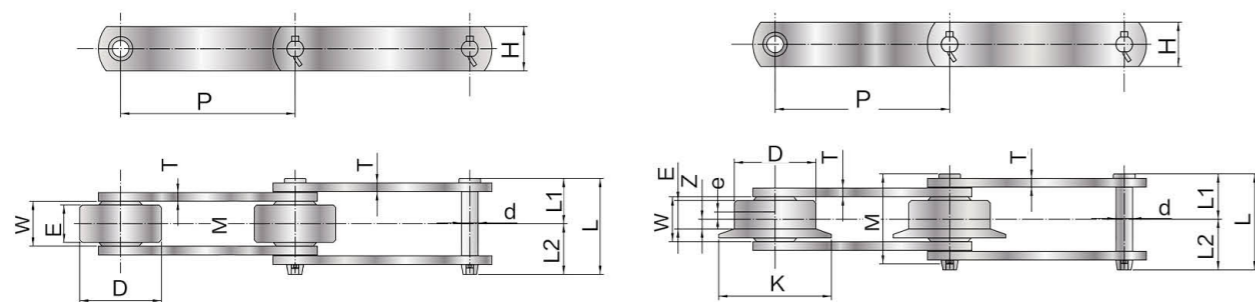
链条材质: 300,400,600 系列不锈钢
Material: 300,400,600 series stainless steel



RF 系列输送链
RF type conveyor chain

Plate 链板		Pin 销轴				Weight Per Meter 每米重量				Attachment Type 附件型式						
H	T	d	L1+L2	L1	L2	R roller R 滚子 kg/m	F roller F 滚子 kg/m	S roller S 滚子 kg/m	M/N roller M/N 滚子 kg/m	A-1 K-1	A-2 K-2	Welded A-2 焊接	Welded A-3 焊接	SA-2 SK-2	G-2	G-4
22	3.2	8	38	18	20	2.7	2.8	1.9	—	R/F/S	R/F/S				R/S	
25.4	4.8 (5.0)	9.7	55	25.5	29.5	4.3		3.0		R/S	R/S				R/S	
						—	—	4.2	—	S	S					
32	4.5	11.3	53.5	25	28.5	5	5.2	3.7	—	R/F/S	R/F/S				R/S	R/S
						4.1	4.1	3.2	—						R/S/M	
28.6	6.3 (6.0)	11.3	65.5	31	34.5	—	—	5.6	—	S	S					
28.6	6.3 (6.0)	11.3	65.5	31	34.5	6.8	7.2	4.6	4.9	R/F/S/ M	R/F/S/ M				R/S/M	
28.6	6.3 (6.0)	11.3	65.5	31	34.5	5.5	5.6	4	4.2	R/F/S/ M	R/F/S/ M				R/S/M	
38.1	6.3 (6.0)	11.3	69	32.5	36.5	7.7	8.0	6	6.4	R/F/S/ M	R/F/S/ M				R/S/M	R/S/M
						9.8	—	6.8	7.1	R/S/M	R/S/M					
38.1	6.3 (6.0)	14.5	69	33	36	7.9	8.1	5.9	6.1	R/F/S/ M	R/F/S/ M				R/S/M	R/F/S/ M
						7.9	8.1	5.9	6.1	R/S/M	R/S/M					
38.1	7.9	15.9	77.5	37.5	40	10.4	—	8.7	9.1	R/S/M	R/S/M				R/S/M	
38.1	7.9	15.9	83.5	40.5	43	—	—	10.4	—		S					
44.5	7.9	15.9	83.5	40.5	43	12.1	12.4	9.3	9.6	R/F/S/ M	R/F/S/ M				R/S/M	R/F/S/ M
						11.4	11.9	8.4	8.7	R/F/S/ M	R/F/S/ M				R/S/M	R/F/S/ M
44.5	7.9	15.9	83.5	40.5	43	10.3	10.6	7.8	8.0	R/F/S/ M	R/F/S/ M				R/S/M	R/F/S/ M
						10.3	10.6	7.8	8.0	R/S/M	R/S/M					
50.8	9.5 (10)	19.1	95.5	44.5	51	17.1	—	12.6	13.1	R/S/M	R/S/M				R/S/M	
						18.8	19.8	12.3	12.6	R/F/S/ M	R/F/S/ M					
50.8	9.5 (10)	19.1	109.5	51.5	58	16.5	17.3	11.1	11.6	R/F/S/ M	R/F/S/ M				R/F/S/ M	S/M

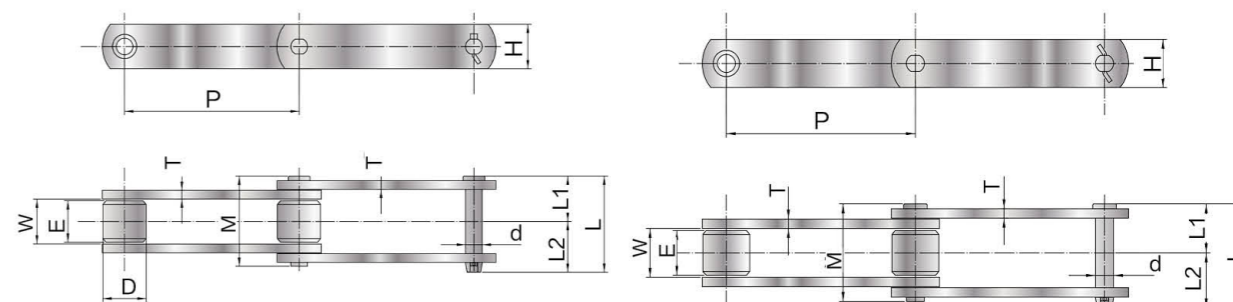
链条材质: 300,400,600 系列不锈钢
Material: 300,400,600 series stainless steel



RF 系列输送链
RF type conveyor chain

FULONG Chain No.	Roller Type	Ultimate Tensile Strength	Pitch	Roller 滚子									Width Between Inner Plates
				R roller		F roller			S roller	M/N roller	内节内宽		
富龙链号	滚子类型	极限拉伸载荷	节距	D	E	D	K	E	e	Z		D	D
SSRF17300	R/F/S/M	245.00	300										
SSRF26200	S/M		200	—	—	—	—	—	—	—			
SSRF26250	R/F/S/M	314.00	250										
SSRF26300	R/F/S/M		300	100	50	100	125	38	6	13	44.5	50.8	57.2
SSRF26450	R/F/S/M		450										
SSRF36250	S/M		250	—	—	—	—	—	—	—			
SSRF36300	R/F/S/M	475.00	300									57.2	66.7
SSRF36450	R/F/S/M		450	125	56	125	150	42	7	14	50.8		
SSRF36600	R/F/S/M		600	*									
SSRF52300	R/F/S		300										
SSRF52450	R/F/S	500.00	450	140	65	140	170	49	8	16.5	57.2	—	77
SSRF52600	R/F/S		600										
SSRF60300	R/F/N		300										
SSRF60350	R/F/N	500.00	350	140	68	140	170	49	8	16.5	—	70	77
SSRF60400	R/F/N		400										
SSRF90350	N		350	—	—	—	—	—	—	—			
SSRF90400	R/F/N	789.00	400	170	76	170	205	56	10	18	—	85	88
SSRF90500	R/F/N		500										
SSRF120400	R/N	1100.00	400	200	87	—	—	—	—	—	—	100	100
SSRF120600	R/F/N		600				200	240	64	11.5	20.5		

链条材质: 300,400,600 系列不锈钢
Material: 300,400,600 series stainless steel



RF 系列输送链
RF type conveyor chain

Plate 链板		Pin 销轴				Weight Per Meter 每米重量				Attachment Type 附件型式							
H	T	d	L1+L2	L1	L2	R roller R 滚子	F roller F 滚子	S roller S 滚子	M/N roller M/N 滚子	A-1 K-1	A-2 K-2	Welded A-2 焊接	Welded A-3 焊接	SA-2 SK-2	G-2	G-4	
						kg/m	kg/m	kg/m	kg/m								
50.8	9.5 (10)	19.1	109.5	51.5	58	15	15.7	10.5	10.9			R/F/S/M		R/S	R/F/S/M		
63.5	9.5 (10)	22.2	116.5	55.5	61	—	—	16	17		R/S/M					S/M	
						25.3	26.2	14.7	15.5		R/F/S/M				S/M		
						22.3	23.6	13.8	14.5		R/F/S/M			R/S	S/M		
76.2	12.7	25.4	146	68	78	18	18.9	12.4	12.9		R/F/S/M	R/F/S/M					
						—	—	24.4	25.5					S/M			
						39	40.1	22.9	23.8		R/F/S/M				S/M		
76.2	16	31.8	172	82	90	30.7	31.9	20.2	20.8		R/F/S/M	R/F/S/M		R/F/S/M			
						26.9	27.8	19	19.5		R/F/S/M	R/F/S/M		R/F/S/M			
						48.8	52.5	29.7	—		R/F/S						
76.2	16	31.8	172	82	90	37.5	39.3	26.2	—		R/F/S	R/F		R/F/S			
						32.9	34.3	24.4	—		R/F/S	R/F		R/F/S			
						52.4	55.1	—	31		R/F/N						
90	12.7	35	160.5	77	83.5	47.2	49.5	—	28.8		R/F/N	R/F/N					
						43.8	45.8	—	27.7		R/F/N	R/F/N					
110	16	42	189.5	89.5	100	—	—	—	47.6			N					
						71	74.4	—	45.1		R/F/N						
						62.3	65	—	41.6		R/F/N	R/F/N					
130	19	50.0	218.5	105.5	13	105.7	—	—	63.9			R/N					
						83.3	88	—	55.4		R/F/N	R/F/N					

链条材质: 300,400,600 系列不锈钢
Material: 300,400,600 series stainless steel

传动链
Driving chain

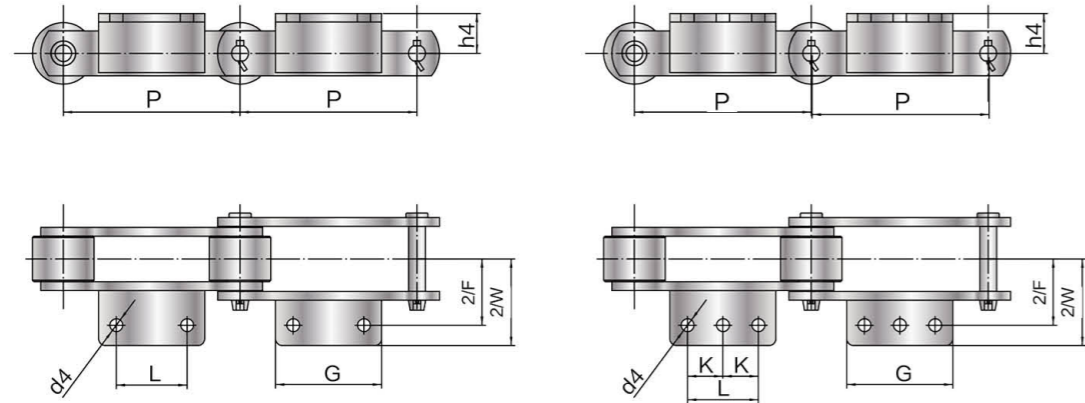
输送链
Conveyor chain

板式链
Leaf chain

农机链
Agricultural chain

焊接链
Welded chain

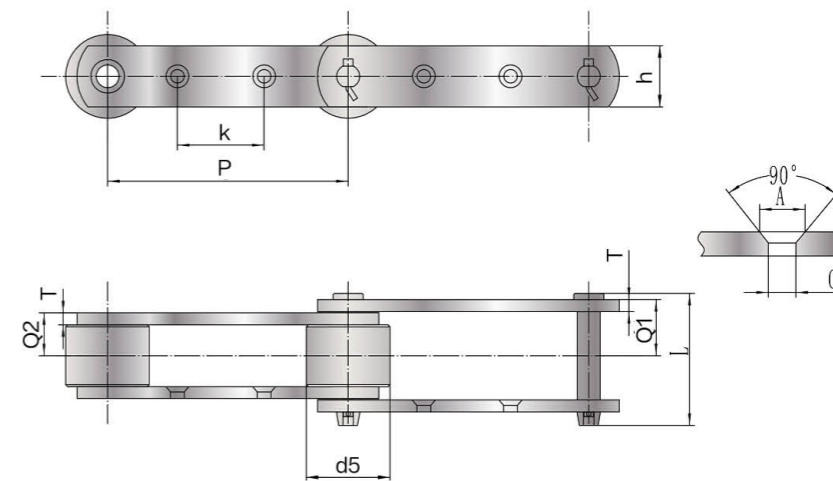
特殊链
Special chain



RF 系列带附件输送链
RF type conveyor chain with attachment

FULONG Chain No.	Pitch 节距	Attachment Dimension 附件尺寸						Steel Angle 角钢尺寸	Bolt Dimension 螺栓尺寸	Weight of A att. A 附件重量 KG
		P	h4	2/F	2/W	L	G			
富龙链号	P	h4	2/F	2/W	L	G	d4	角钢尺寸	螺栓尺寸	KG
RF17300	300	45	75	111	180	220	15	L65*65*6	M12	1.34
RF26300	300	55	80	124	180	220	15	L75*75*9	M12	2.22
RF60300	300	90	115	165	110	160	24	L100*100*13	M20	3.30
RF90350	350	100	140	210	100	180	28	L130*130*15	M24	5.20
RF90400	400	100	140	210	150	230	28	L130*130*15	M24	6.60
RF120400	400	120	150	220	120	200	28	L130*130*15	M24	5.80
RF26450	450	55	80	124	140	320	15	L75*75*9	M14	3.26
RF36450	450	70	100	160	140	330	19	L100*100*10	M16	5.07
RF36600	600	70	100	160	180	410	19	L100*100*10	M16	6.26
RF54450	450	80	120	171	140	330	24	L100*100*13	M20	6.30
RF52600	600	80	120	171	180	410	24	L100*100*13	M20	7.80
RF60350	350	90	115	165	80	220	24	L100*100*13	M20	4.20
RF60400	400	90	115	165	100	260	24	L100*100*13	M20	6.00
RF90500	500	100	140	210	130	340	28	L130*130*15	M24	9.80
RF120600	600	120	150	220	160	400	28	L130*130*15	M24	11.50

链条材质: 300,400,600 系列不锈钢
Material: 300,400,600 series stainless steel



RF 带附件输送链
RF type conveyor chain with attachment

FULONG Chain No.	Pitch 节距	Attachment Dimension 附件尺寸						Steel Angle 角钢		Bolt Dimension 螺栓尺寸
		P	K	T	Q1	Q2	A	0	Outer link 外节	
富龙链号	P	K	T	Q1	Q2	A	0	Outer link 外节	Inner link 内节	螺栓尺寸
RF15100	100	40	4.5	26.2	21.0	15	10	36	26	M8
RF05150	150	60	4.5	26.2	21.0	15	10	36	26	M8
RF650	152.4	60	6.3	28.5	21.5	20	12	49	35	M10
RF10100	100	30	6.3	28.5	21.5	20	12	49	35	M10
RF10150	150	60	6.3	28.5	21.5	20	12	49	35	M10
RF6205	152.4	50	7.9	35.5	26.5	26	15	63	45	M12
RF12200	200	80	7.9	35.5	26.5	26	15	63	45	M12
RF12250	250	125	7.9	35.5	26.5	26	15	63	45	M12
RF17200	200	70	9.5	45.5	35.0	26	15	81	61	M12
RF17250	250	110	9.5	45.5	35.0	26	15	81	61	M12
RF17300	300	150	9.5	45.5	35.0	26	15	81	61	M12
RF26300	300	140	9.5	48.0	35.0	26	15	88	67	M12
RF26450	450	220	9.5	48.0	35.0	26	15	88	67	M12
RF36450	450	220	12.7	60.0	46.0	32	19	105	75	M16
RF36600	600	300	12.7	60.0	46.0	32	19	105	75	M16
RF52450	450	200	12.7	71.5	45.5	38	24	125	90	M20
RF52600	600	300	16.0	71.5	45.5	38	24	125	90	M20

链条材质: 300,400,600 系列不锈钢
Material: 300,400,600 series stainless steel

传动链
Driving chain

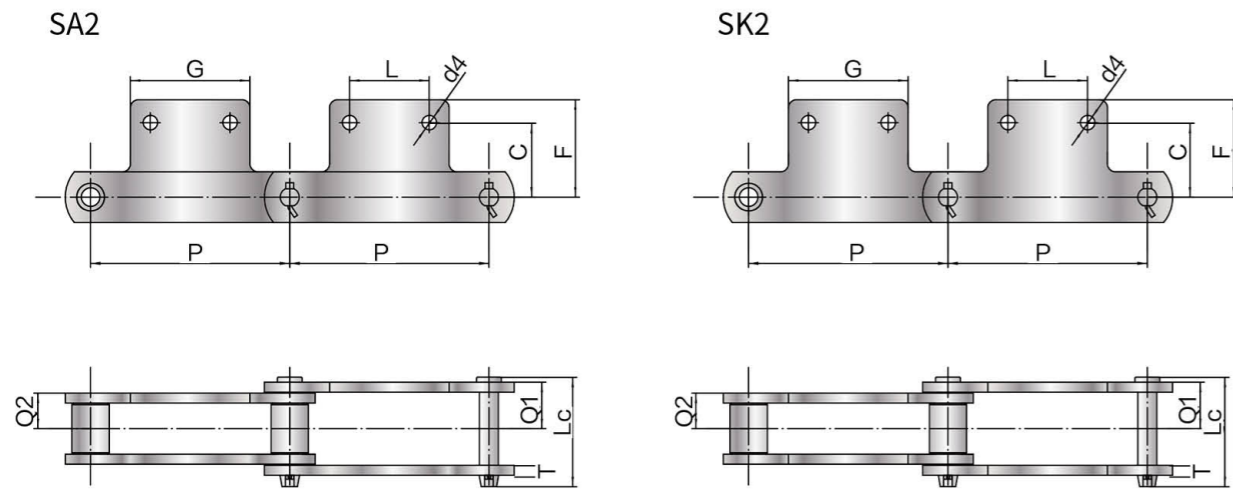
输送链
Conveyor chain

板式链
Leaf chain

农机链
Agricultural chain

焊接链
Welded chain

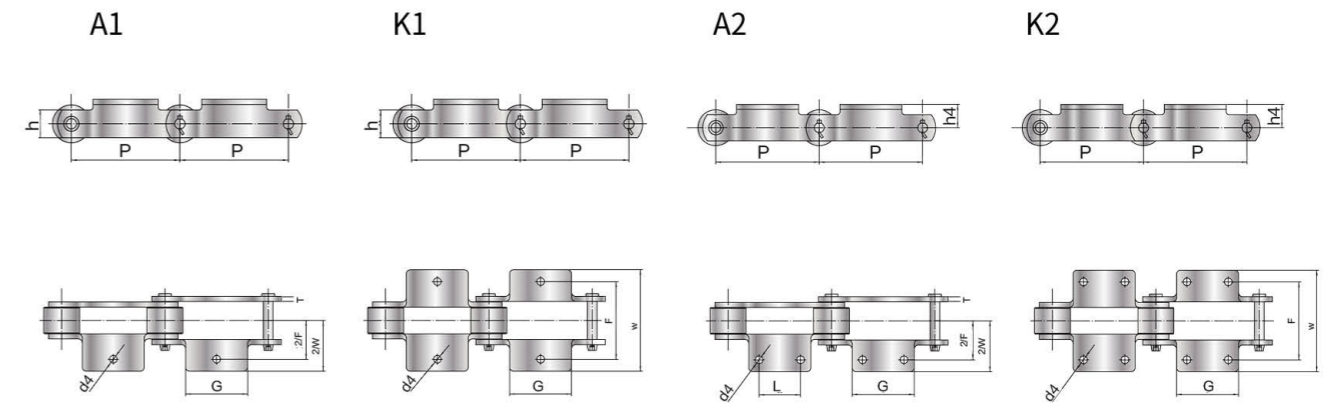
特殊链
Special chain



RF 系列带附件输送链
RF type conveyor chain with attachment

FULONG Chain No.	Pitch 节距	Attachment Dimension 附件尺寸								Bolt Dimension 螺栓尺寸	Weight of attachment SA2 SA2 附件重量 KG
		P	C	F	Q1	Q2	L	G	T		
RF03075	75	33	49.0	15.5	11.5	30.0	55	3.2	10	M8	0.05
RF03100	100	33	49.0	15.5	11.5	40.0	65	3.2	10	M8	0.06
RF430	101.6	37.6	51.6	22.0	16.0	40.0	70	4.8	12	M10	0.11
RF05100	100	33.4	50.7	21.0	15.5	40.0	65	4.5	10	M8	0.08
RF05150	150	33.4	50.7	21.0	15.5	60.0	85	4.5	10	M8	0.10
RF450	101.6	47.6	60.7	27.0	20.0	40.0	70	6.3	12	M10	0.18
RF08150	150	46.1	58.7	27.0	20.0	60.0	90	6.3	12	M10	0.22
RF650	152.4	50	63.0	28.5	21.5	60.0	90	6.3	12	M10	0.22
RF10100	100	46.1	61.0	28.5	21.5	40.0	70	6.3	12	M10	0.16
RF10150	150	46.1	61.0	28.5	21.5	60.0	90	6.3	12	M10	0.20
RF210	101.6	50	70.0	32.5	23.6	40.0	80	7.9	15	M12	0.28
RF6205	152.4	55	75.7	35.5	26.5	50.0	100	7.9	15	M12	0.37
RF12200	200	55	75.7	35.5	26.5	70.0	120	7.9	15	M12	0.45
RF12250	250	55	75.7	35.5	26.5	125.0	165	7.9	15	M12	0.62
RF212	152.4	60	83.6	38.0	28.0	60.0	100	9.5	15	M12	0.49

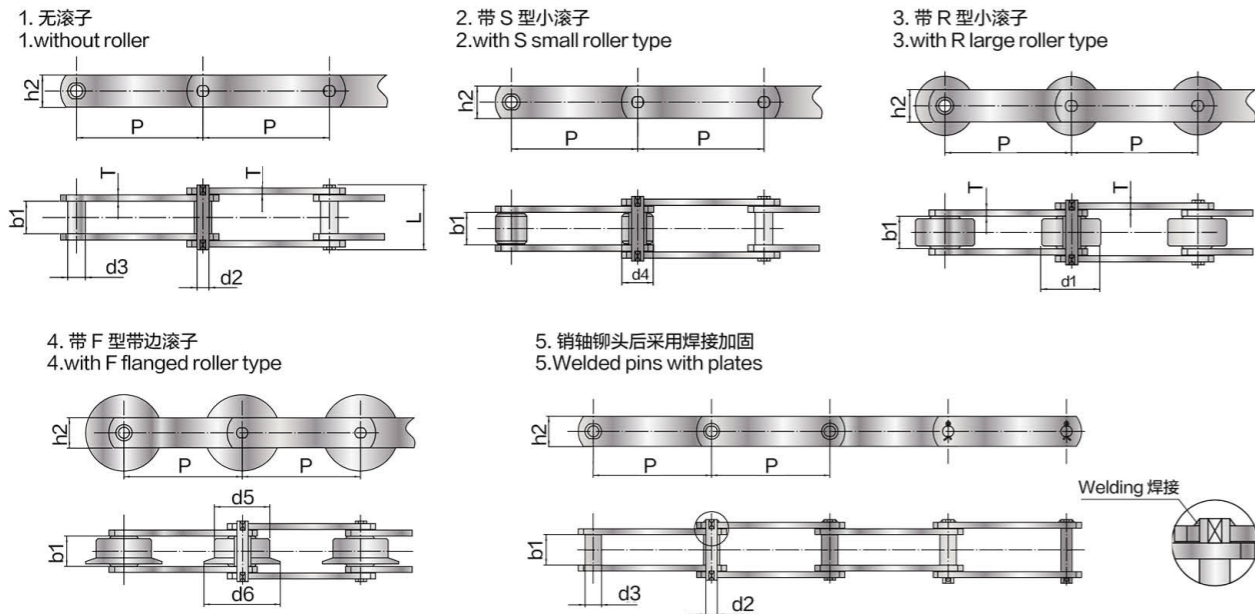
链条材质: 300,400,600 系列不锈钢
Material: 300,400,600 series stainless steel



RF 系列带附件输送链
RF type conveyor chain with attachment

FULONG Chain No.	Roller Type 滚子类型	Pitch 节距	Attachment Dimension 附件尺寸								Bolt Dimension 螺栓尺寸	Weight of attachment SA2 SA2 附件重量 KG	
			P	h4	2/F	F	2W	W	L	T			d4
RF0375	R/F/S	75	20	30	60	46	92	30	55	3.2	10	M8	0.05
RF03100	R/F/S	100	20	30	60	46	92	40	65	3.2	10	M8	0.06
RF430	R/S	101.6	22	40	80	54	108	40	70	4.8(5.0)	12	M10	0.11
RF05075	S	75	22	35	70	47	94	30	55	4.5	10	M8	0.07
RF05100	R/F/S	100	22	35	70	47	94	40	65	4.5	10	M8	0.08
RF05150	R/F/S	150	22	35	70	47	94	60	85	4.5	10	M8	0.10
RF204	S	66.27	24	45	90	59	118	-	35	6.3(6.0)	12	M10	0.08
RF450	R/F/S/M	101.6	28	50	100	64	128	40	70	6.3(6.0)	12	M10	0.18
RF08150	R/F/S/M	150	28	50	100	64	128	60	90	6.3(6.0)	12	M10	0.22
RF650	R/F/S/M	152.4	32	50	100	64	128	60	90	6.3(6.0)	12	M10	0.22
RF10100	R/S/M	100	28	50	100	65	130	40	70	6.3(6.0)	12	M10	0.16
RF10150	R/F/S/M	150	28	50	100	65	130	60	90	6.3(6.0)	12	M10	0.20
RF214	R/S/M	101.6	35	55	110	73	146	40	80	7.9	15	M12	0.28
RF205	S	78.11	35	60	120	75	150	30	65	7.9	12	M10	0.23
RF6205	R/F/S/M	152.4	38	60	120	79	158	60	100	7.9	15	M12	0.37
RF12200	R/F/S/M	200	38	60	120	79	158	80	120	7.9	15	M12	0.45
RF12250	R/F/S/M	250	38	60	120	79	158	125	170	7.9	15	M12	0.62
RF212	R/S/M	152.4	45	65	130	83	166	60	100	9.5(10.0)	15	M12	0.49
RF17200	R/F/S/M	200	45	75	150	98	196	80	120	9.5(10.0)	15	M12	0.66
RF17250	R/F/S/M	250	45	75	150	98	125	125	170	9.5(10.0)	15	M12	0.86

链条材质: 300,400,600 系列不锈钢
Material: 300,400,600 series stainless steel

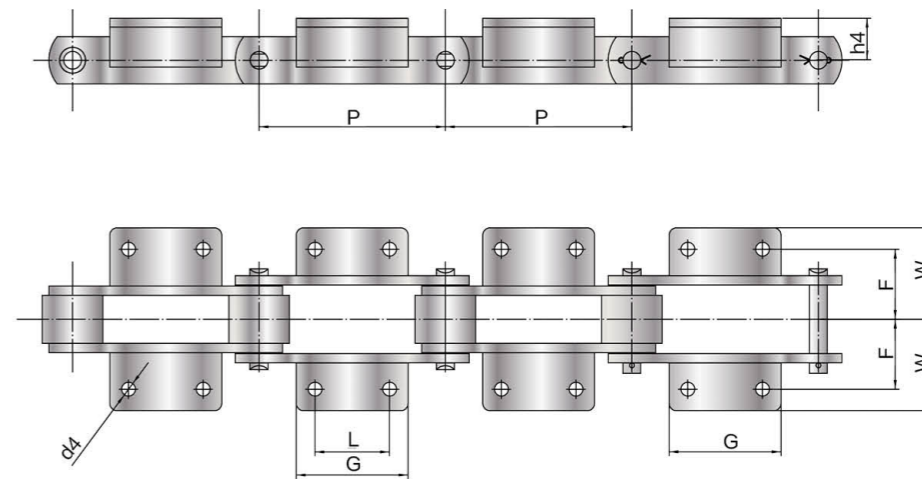


M 系列输送链
Conveyor chain (M series)

FULONG Chain No.	Pitch							Roller Diameter			Bush Diameter	Width Between Inner Plates	Pin Dimension			Plate Dimension		Ultimate Tensile Strength
	节距							滚子直径			套筒	内节内宽	销轴尺寸			链板尺寸		极限拉伸载荷
富龙链号	P							d1	d4	d5	d3	b1	d2	L	h2	T	Q	
	mm							min	max	max	max	min	max	max	max	max	max	min
SSM20	*40.0	50	63	80	100	125	160	25.00	12.50	32.00	9.00	16.00	6.00	35.00	19.00	2.50	14.00	
SSM28	*50.0	63	80	100	125	160	200	30.00	15.00	36.00	10.00	18.00	7.00	40.00	21.00	3.00	19.60	
SSM40	63	80	100	125	160	200	250	36.00	18.00	42.00	12.50	20.00	8.50	45.00	26.00	3.50	28.00	
SSM56	*63.0	80	100	125	160	200	250	42.00	21.00	50.00	15.00	24.00	10.00	52.00	31.00	4.00	39.20	
SSM80	80	100	125	160	200	250	315	50.00	25.00	60.00	18.00	28.00	12.00	62.00	36.00	5.00	52.00	
SSM112	*80.0	100	125	160	200	250	315	400	60.00	30.00	70.00	21.00	32.00	15.00	73.00	41.00	6.00	72.80
SSM160	*100.0	125	160	200	250	315	400	500	70.00	36.00	85.00	25.00	37.00	18.00	85.00	51.00	7.00	104.00
SSM224	*125.0	160	200	250	315	400	500	630	85.00	42.00	100.00	30.00	43.00	21.00	98.00	62.00	8.00	134.40
SSM315	*160.0	200	250	315	400	500	630	100.00	50.00	120.00	36.00	48.00	25.00	112.00	72.00	10.00	189.00	
SSM450	200	250	315	400	500	630	800	120.00	60.00	140.00	42.00	56.00	30.00	135.00	82.00	12.00	270.00	

*为套筒链和 S 滚子
*chain with bush and "s" roller only

链条材质: 300,400,600 系列不锈钢
Material: 300,400,600 series stainless steel



M 系列带附件输送链
Conveyor chain with attachment (M series)

Attachment Dimension
附件尺寸

FULONG Chain No.	P	L	G	d4	F	W	h4
富龙链号	mm	mm	mm	mm	mm	mm	mm
SSM20	40.0	-	14.0				
	50.0	-	14.0	6.6	27.0	40.0	16.0
	63.0	20.0	35.0				
	80.0	35.0	50.0				
SSM28	50.0	-	20.0				
	63.0	-	20.0	9.0	32.0	47.0	20.0
	80.0	25.0	45.0				
	100.0	40.0	60.0				
SSM40	63.0	-	31.0				
	80.0	20.0	45.0	9.0	35.0	50.0	25.0
	100.0	40.0	60.0				
	125.0	65.0	85.0				
SSM56	63.0	-	22.0				
	80.0	-	30.0				
	100.0	25.0	50.0	11.0	44.0	61.0	30.0
	125.0	50.0	75.0				
SSM80	160.0	85.0	110.0				
	80.0	-	30.0				
	100.0	25.0	50.0				
	125.0	50.0	75.0	11.0	48.0	65.0	35.0
SSM80	160.0	85.0	110.0				
	200.0	125.0	150.0				

链条材质: 300,400,600 系列不锈钢
Material: 300,400,600 series stainless steel

滚子材料可选: POM, PA6
Roller material available: POM, PA6

传动链
Driving chain

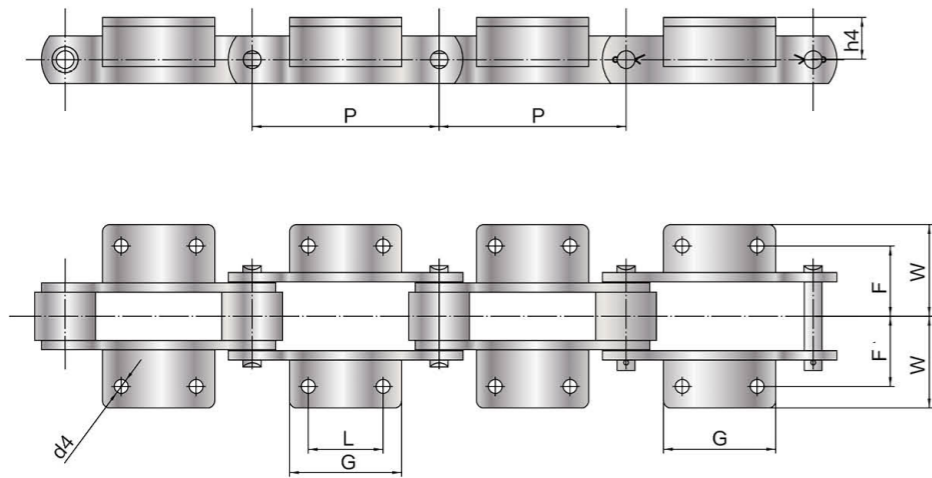
输送链
Conveyor chain

板式链
Leaf chain

农机链
Agricultural chain

焊接链
Welded chain

特殊链
Special chain



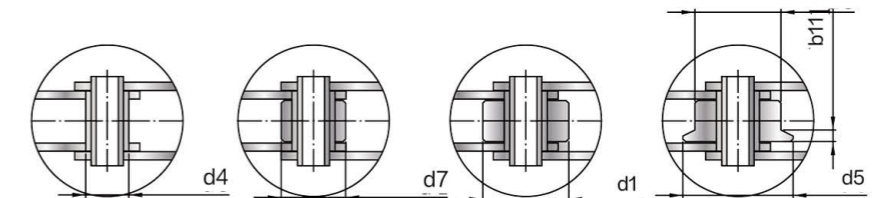
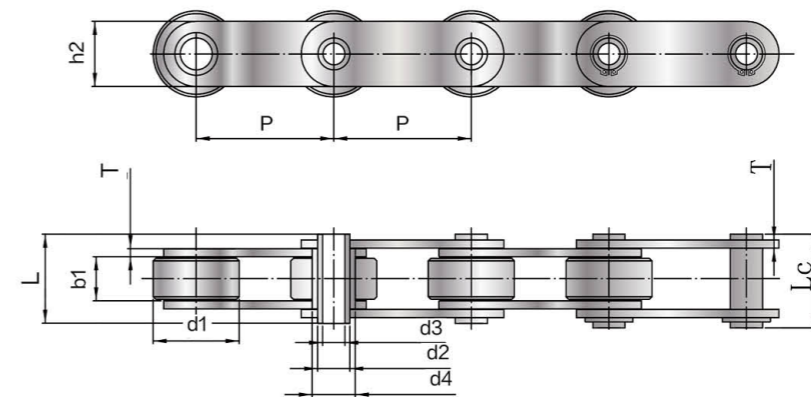
M 系列带附件输送链
Conveyor chain with attachment (M series)

Attachment Dimension
附件尺寸

FULONG Chain No.	P	L	G	d4	F	W	h4
富龙链号	mm	mm	mm	mm	mm	mm	mm
SSM112	80.0	-	28.0	14.0	55.0	80.0	40.0
	100.0	-	40.0				
	125.0	35.0	65.0				
	160.0	65.0	95.0				
SSM160	200.0	100.0	130.0	14.0	62.0	85.0	45.0
	100.0	-	30.0				
	125.0	25.0	50.0				
	160.0	50.0	80.0				
SSM224	200.0	85.0	115.0	18.0	70.0	100.0	55.0
	250.0	145.0	175.0				
	125.0	-	35.0				
	160.0	-	60.0				
SSM315	250.0	125.0	160.0	18.0	80.0	115.0	65.0
	315.0	190.0	230.0				
	160.0	-	35.0				
	200.0	50.0	85.0				
SSM315	315.0	155.0	190.0	18.0	80.0	115.0	65.0
	400	155.0	205.0				

链条材质: 300,400,600 系列不锈钢
Material: 300,400,600 series stainless steel

滚子材料可选: POM,PA6
Roller material available: POM, PA6



MC 空心销轴链
Conveyor chain with hollow pin (MC Series)

FULONG Chain No.	Pitch	Roller Dimension				Bush Diameter	Plate Height	Width Between Inner Plates	Pin Diameter	Pin Length	Plate Thickness	Ultimate Tensile Strength		
富龙链号	节距	滚子尺寸				套筒直径	链板高度	内节内宽	销轴直径	销轴长度	链板厚度	极限拉伸载荷		
富龙链号	P	d1	d7	d5	b11	d4	h2	b1	d2	d3	L	Lc	T	Q
		min	max	max	max	max	max	min	max	max	max	max	max	min
	mm	mm	mm	mm	mm	mm	mm	mm	mm	mm	mm	mm	mm	KN
SSMC20	63 80 100 125 160 -	36.00	25.00	45.00	4.50	17.50	25.00	20.00	13.00	8.20	36.00	38.50	3.50	19.60
SSMC56	80 100 125 160 200 250	50.00	30.00	60.00	5.00	21.00	35.00	24.00	15.50	10.20	45.00	47.50	4.00	39.20
SSMC112	100 125 160 200 250 315	70.00	42.00	85.00	7.00	29.00	50.00	32.00	22.00	14.30	62.50	64.30	6.00	72.08
SSMC224	160 200 250 315 400 500	100.00	60.00	120.00	10.00	41.00	70.00	43.00	31.00	20.30	83.00	85.50	8.00	134.40

链条材质: 300,400,600 系列不锈钢
Material: 300,400,600 series stainless steel

滚子材料可选: POM,PA6
Roller material available: POM, PA6

传动链
Driving chain

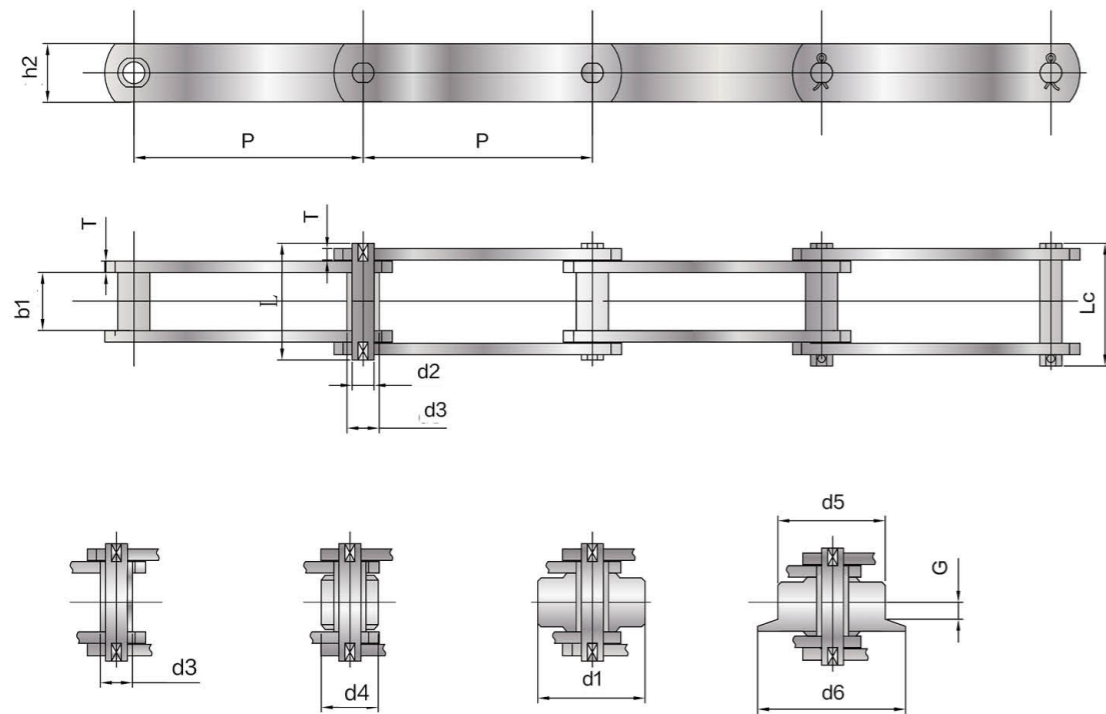
输送链
Conveyor chain

板式链
Leaf chain

农机链
Agricultural chain

焊接链
Welded chain

特殊链
Special chain

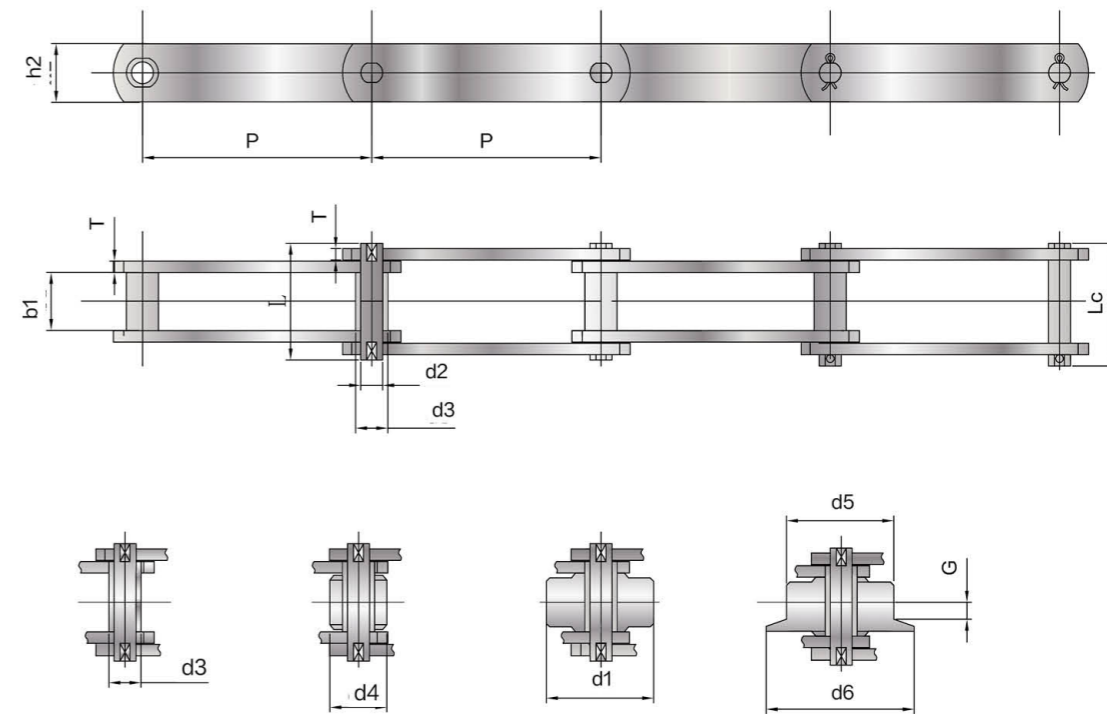


FV 系列输送链
Conveyor chain (FV Series)

FULONG Chain No.	Pitch 节距						Roller Diameter 滚子直径					Bush Diameter 套筒直径
	P						d1 max	d4 max	d5 max	d6 max	G	
富龙链号	mm	mm	mm	mm	mm	mm	mm	mm	mm	mm	mm	mm
SSFV40	50.000	63.000	80.00	100.00	125.00		32.0	20.0	40.0	50.0	4.00	15.00
SSFV63	50.000	63.000	80.00	100.00	125.00	160.00	40.0	26.0	50.0	63.0	5.00	18.00
SSFV90	63.000	80.000	100.00	125.00	160.00	200.00	48.0	30.0	63.0	78.0	6.50	20.00
SSFV112	80.000	100.000	125.00	160.00	200.00	250.00	55.0	32.0	72.0	90.0	7.50	22.00
SSFV140	63.000	100.000	125.00	160.00	200.00	250.00	60.0	36.0	80.0	100.0	9.00	26.00
SSFV180	100.000	125.000	160.00	200.00	250.00	315.00	70.0	42.0	100.0	125.0	13.00	30.00
SSFV250	125.000	160.000	200.00	250.00	315.00	400.00	80.0	50.0	125.0	155.0	15.00	36.00
SSFV315	160.000	200.000	250.00	315.00	400.00		90.0	60.0	140.0	175.0	18.00	42.00

链条材质: 300,400,600 系列不锈钢
Material: 300,400,600 series stainless steel

滚子材料可选: POM,PA6
Roller material available: POM, PA6



FV 系列输送链
Conveyor chain (FV Series)

FULONG Chain No.	Width Between Inner Plates	Pin Diameter	Pin Length		Plate Height	Plate Thickness	Ultimate Tensile Strength
			L max	Lc max			
富龙链号	内节内宽	销轴直径	销轴长度		链板高度	链板厚度	极限拉伸载荷
	b1 min	d2 max	L max	Lc max	h2 max	T max	Q min
	mm	mm	mm	mm	mm	mm	KN
SSFV40	18.0	10.0	36.0	39.0	25.0	3.0	28.00
SSFV63	22.0	12.0	45.0	48.5	30.0	4.0	44.10
SSFV90	25.0	14.0	53.0	56.5	35.0	5.0	63.00
SSFV112	30.0	16.0	62.0	66.0	40.0	6.0	78.40
SSFV140	35.0	18.0	67.0	71.5	45.0	6.0	98.00
SSFV180	45.0	20.0	86.0	92.0	50.0	8.0	126.00
SSFV250	55.0	26.0	97.0	103.5	60.0	8.0	175.00
SSFV315	65.0	30.0	113.0	126.5	70.0	10.0	220.50

链条材质: 300,400,600 系列不锈钢
Material: 300,400,600 series stainless steel

滚子材料可选: POM,PA6
Roller material available: POM, PA6

传动链
Driving chain

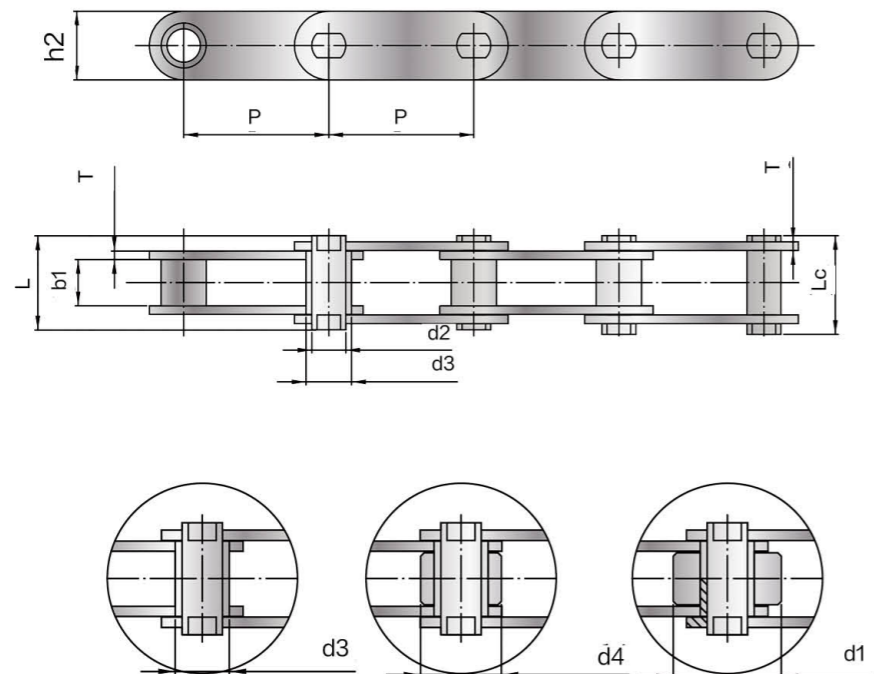
输送链
Conveyor chain

板式链
Leaf chain

农机链
Agricultural chain

焊接链
Welded chain

特殊链
Special chain

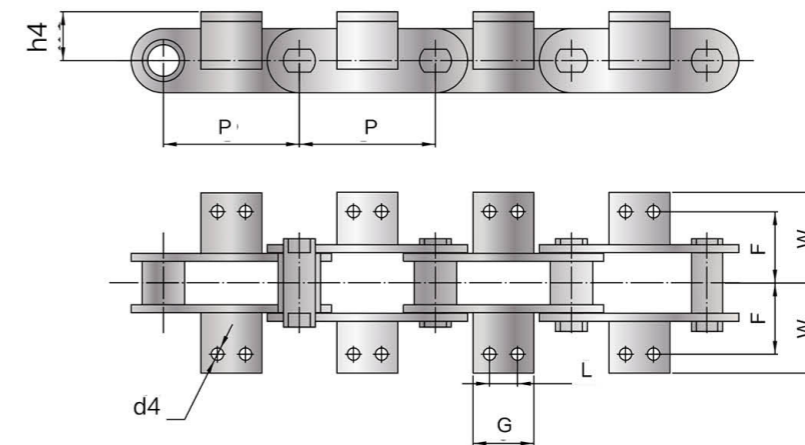


FV 系列输送链
Conveyor chain (FV Series)

FULONG Chain No.	Pitch	Roller Diameter			Pin Diameter	Pin Length		Plate Height	Plate Thickness	Ultimate Tensile Strength	Weight Per Meter
富龙链号	节距	滚子直径			销轴直径	销轴长度		链板高度	链板厚度	极限拉伸载荷	米重
	P	d1 max	d3 max	d4 max	d2 max	L max	Lc max	h2 max	t/T max	Q min	q
	mm	mm	mm	mm	mm	mm	mm	mm	mm	KN	Kg/M
SSFV 40-63	63.00	32.00	-	-	10.00	38.10	41.50	45.00	4.00	56.000	2.13
SSFV 90F9-100	100.00	-	20.000	-	14.00	60.20	64.60	35.00	6.0/8.0	63.000	6.00
SSFV 90F10-100	100.00	-	20.000	-	14.00	60.20	64.60	40.00	6.0/8.0	63.000	6.83
SSFV 140-PF1-125	125.00	65.00	-	-	18.00	67.00	71.50	45.00	6.00	98.000	12.76

链条材质: 300,400,600 系列不锈钢
Material: 300,400,600 series stainless steel

滚子材料可选: POM,PA6
Roller material available: POM, PA6



FV 系列带附件输送链
Conveyor chain with attachment (FV Series)

Attachment Dimension
附件尺寸

FULONG Chain No.	P	L	G	d4	F	W	h4
富龙链号	mm	mm	mm	mm	mm	mm	mm
SSFV40	50	-	45	6.50	25.0	40.5	20.0
	63	-	31				
	80	25	45				
	100	30	50				
SSFV63	125	30	60	8.40	34.0	50.0	30.0
	63	-	40				
	80	25	45				
	100	30	50				
SSFV90	125	40	60	8.40	40.0	64.0	35.0
	160	50	70				
	200	60	80				
	250	65	85				
SSFV112	100	30	50	11.0	50.0	70.0	40.0
	125	40	65				
	160	50	75				
	200	65	90				
	250	80	105				

链条材质: 300,400,600 系列不锈钢
Material: 300,400,600 series stainless steel

滚子材料可选: POM,PA6
Roller material available: POM, PA6

- 单孔
- One hole

传动链
Driving chain

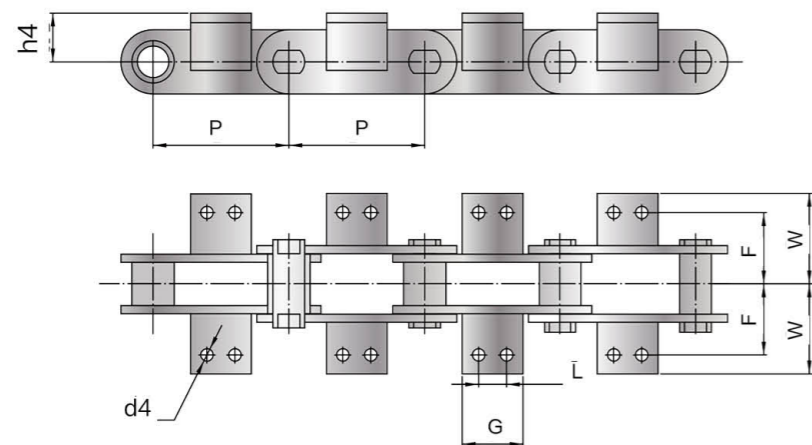
输送链
Conveyor chain

板式链
Leaf chain

农机链
Agricultural chain

焊接链
Welded chain

特殊链
Special chain



FV 系列带附件输送链
Conveyor chain with attachment (FV Series)

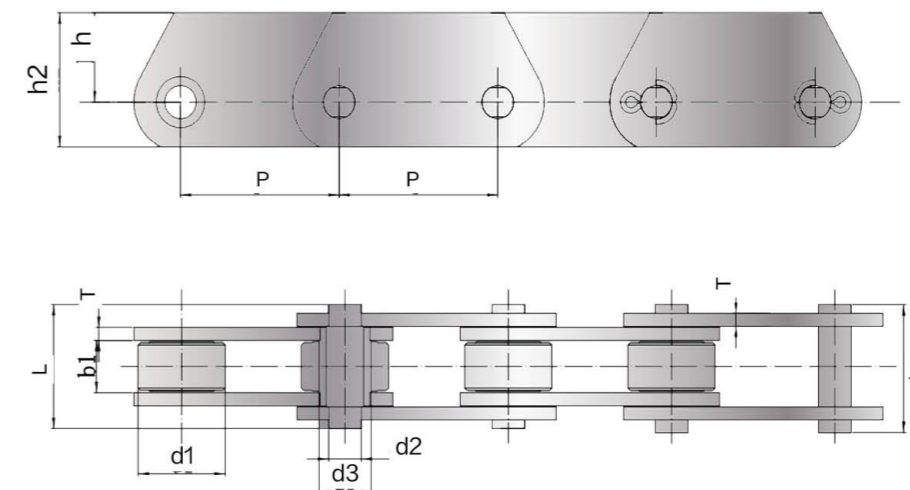
Attachment Dimension
附件尺寸

FULONG Chain No.	P	L	G	d4	F	W	h4
富龙链号	mm	mm	mm	mm	mm	mm	mm
SSFV140	100	30	55	11	50	81	45
	125	40	65				
	160	50	75				
	200	65	90				
	250	80	105				
SSFV180	125	35	63	13	64	91	45
	160	50	80				
	200	65	95				
	250	80	110				
	315	100	130				
SSFV250	160	50	80	14	69	106	55
	200	65	95				
	250	80	110				
	315	100	130				
	400	100	130				
SSFV315	160	*	50	14	85	130	60
	200	65	95				
	250	80	110				
	315	100	130				
	400	100	130				

链条材质: 300,400,600 系列不锈钢
Material: 300,400,600 series stainless steel

滚子材料可选: POM,PA6
Roller material available: POM, PA6

- 单孔
- One hole



FVT 系列输送链
Conveyor chain (FVT Series)

FULONG Chain No.	Pitch							Roller Diameter	Pin Diameter	Bush Diameter	Plate Thickness	Width Between Inner Plates	Pin Length		Plate Height	Ultimate Tensile Strength	
富龙链号	节距							滚子直径	销轴直径	套筒直径	链板厚度	内节内宽	销轴长度		链板高度	极限拉伸载荷	
	p							d1 max	d2 max	d3 max	T max	b1 min	L max	Lc max	h2 max	h max	q min
	mm	mm	mm	mm	mm	mm	mm	mm	mm	mm	mm	mm	mm	mm	mm	mm	KN
SSFVT40	50	63	80	100	125	-	-	32	10	15	3.0	18	36	39.0	35.0	22.5	28.00
SSFVT63	63	80	100	125	160	-	-	40	12	18	4.0	22	45	48.5	40.0	25.0	44.10
SSFVT90	63	80	100	125	160	200	250	48	14	20	5.0	25	53	56.5	45.0	27.5	63.00
SSFVT112	100	125	160	200	250	-	-	55	16	22	6.0	30	62	66.0	50.0	30.0	72.80
SSFVT140	100	125	160	200	250	-	-	60	18	25	6.0	35	67	71.5	60.0	37.5	84.00
SSFVT180	125	160	200	250	315	-	-	70	20	30	8.0	45	86	92.0	70.0	45.0	108.00
SSFVT250	160	200	250	315	-	-	-	80	26	36	8.0	55	97	103.58	80.0	50.0	150.00
SSFVT315	160	200	250	315	400	-	-	90	30	42	10	65	113	126.59	90.0	55.0	189.00

链条材质: 300,400,600 系列不锈钢
Material: 300,400,600 series stainless steel

滚子材料可选: POM,PA6
Roller material available: POM, PA6

传动链
Driving chain

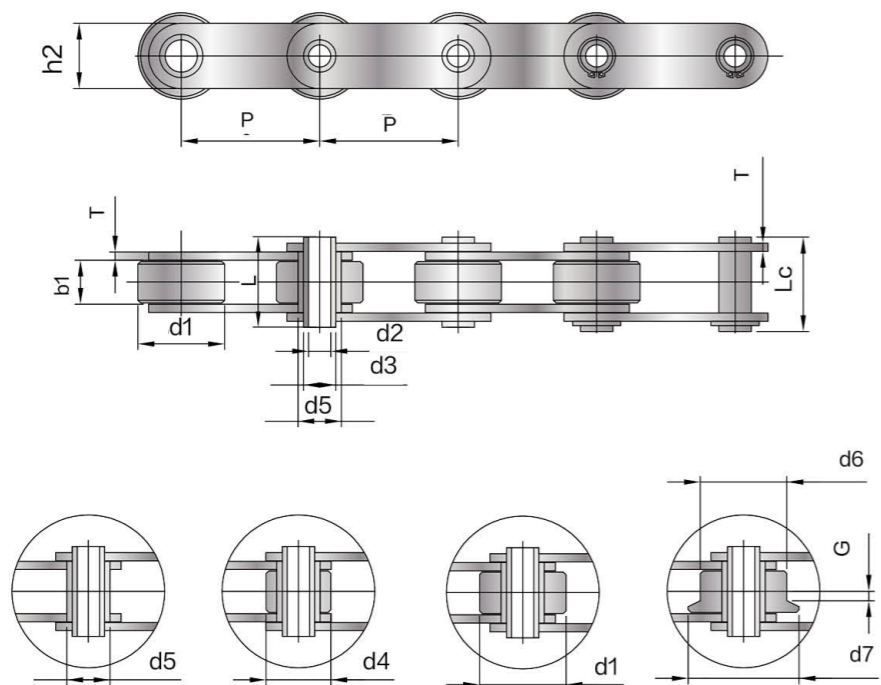
输送链
Conveyor chain

板式链
Leaf chain

农机链
Agricultural chain

焊接链
Welded chain

特殊链
Special chain

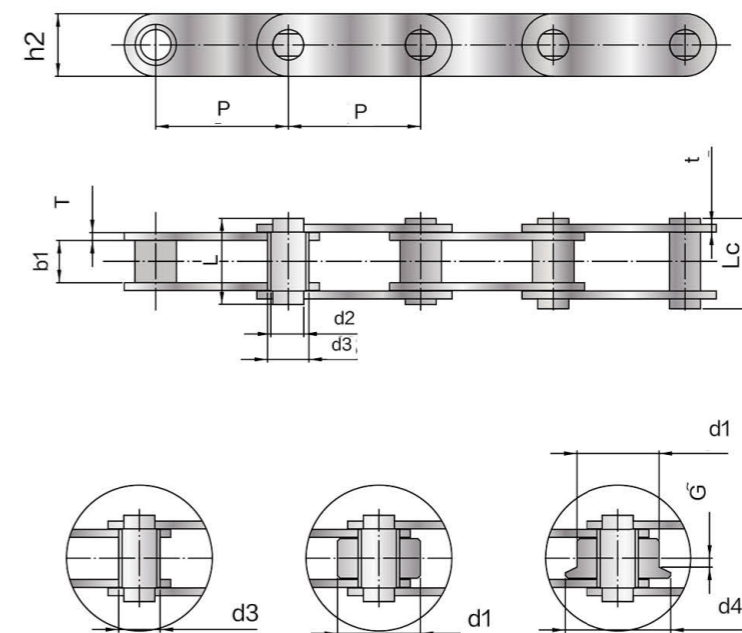


FVC 系列输送链
Conveyor chain (FVC Series)

FULONG Chain No.	Pitch				Roller Dimension					Bush Diameter	Width Between Inner Plates	Pin Diameter	Pin Length	Plate Height	Plate Thickness	Ultimate Tensile Strength			
富龙链号	节距				滚子尺寸					套筒直径	内节内宽	销轴直径	销轴长度	链板高度	链板厚度	极限拉伸载荷			
	P				d1 max	d4 max	d6 max	d7 max	G	d5 max	b1 min	d3 max	d2 min	L max	Lc max	h2 max	T max	Q min	
	mm	mm	mm	mm	mm	mm	mm	mm	mm	mm	mm	mm	mm	mm	mm	mm	mm	KN	
SSFVC63	63	80	100	125	160	40	26	50	63	5.0	18	22	12	8	45.0	50.5	30	4.0	32.2
SSFVC90	63	80	100	125	160	48	30	63	78	6.5	20	25	14	10	53.0	56.5	35	5.0	51.1
SSFVC112	100	125	160	200	250	55	32	72	90	7.5	22	30	16	11	62.0	63.0	40	6.0	58.5
SSFVC140	100	125	160	200	250	60	36	80	100	9.0	26	35	18	12	67.0	68.5	45	6.0	71.5
SSFVC180	125	160	200	250	315	70	42	100	125	13	30	45	20	14	86.0	88.0	50	8.0	87.0
SSFVC250	160	200	250	315	400	80	50	125	155	15	36	55	26	18	97.0	103.5	60	8.0	123.0
SSFVC315	160	200	250	315	400	90	60	140	175	18	42	65	30	20	117.0	121.5	70	10.0	177.0

链条材质: 300,400,600 系列不锈钢
Material: 300,400,600 series stainless steel

滚子材料可选: POM,PA6
Roller material available: POM, PA6



Z 系列输送链
Conveyor chain (Z series)

FULONG Chain No.	Pitch				Roller Dimension			Bush Diameter	Width Between Inner Plates	Pin Diameter	Plate Height	Pin Length	Plate Thickness	Ultimate Tensile Strength				
富龙链号	节距				滚子尺寸			套筒直径	内节内宽	销轴直径	链板高度	销轴长度	链板厚度	极限拉伸载荷				
	P				d1 max	d4 max	G	d3 max	b1 min	d2 max	h2 max	L max	Lc max	T max	Q min			
	mm	mm	mm	mm	mm	mm	mm	mm	mm	mm	mm	mm	mm	mm	KN			
SSZ40	50.8	63.5	76.2	88.9	101.6	127.0	152.4	31.75	40.00	2.50	17.00	15.00	14.00	25.00	37.00	40.50	4.00	28.00
SSZ100	76.2	88.9	101.6	127.0	152.4	177.8	203.2	47.50	60.00	3.50	23.00	19.00	19.00	40.00	45.00	50.50	5.0/4.0	65.00
SSZ160	101.6	127.0	152.4	177.8	203.2	228.6	254.0	66.70	82.00	3.50	33.00	26.00	26.90	50.00	58.00	63.50	7.0/5.0	104.00
SSZ300	152.4	177.8	203.2	254.0	304.8	-	-	88.90	114.00	8.50	38.00	38.00	32.00	60.00	84.00	91.00	10.0/8.0	180.00

链条材质: 300,400,600 系列不锈钢
Material: 300,400,600 series stainless steel

滚子材料可选: POM,PA6
Roller material available: POM, PA6

传动链
Driving chain

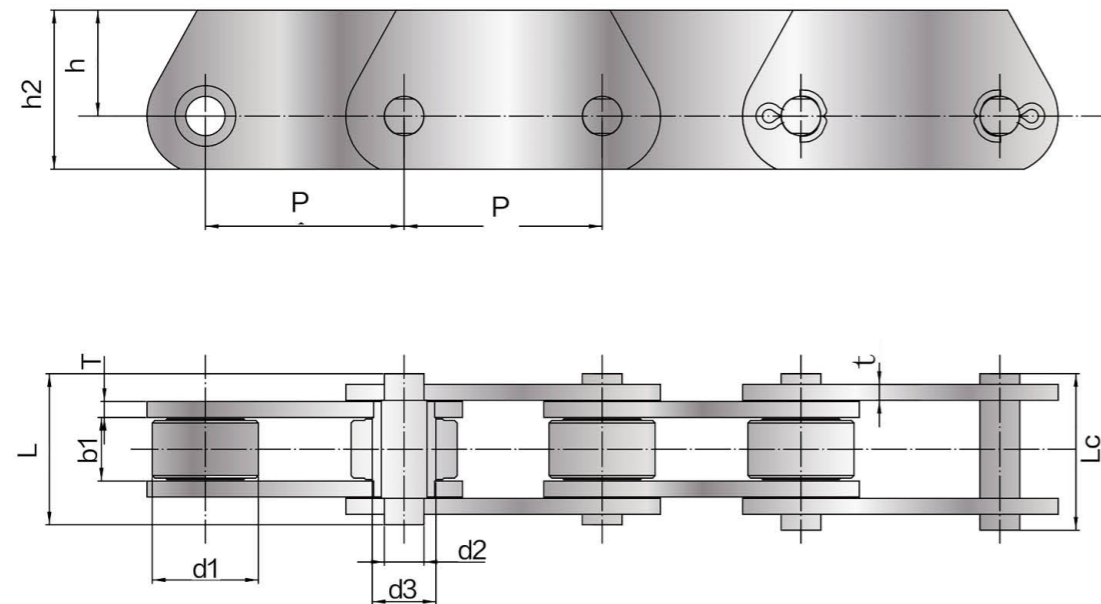
输送链
Conveyor chain

板式链
Leaf chain

农机链
Agricultural chain

焊接链
Welded chain

特殊链
Special chain

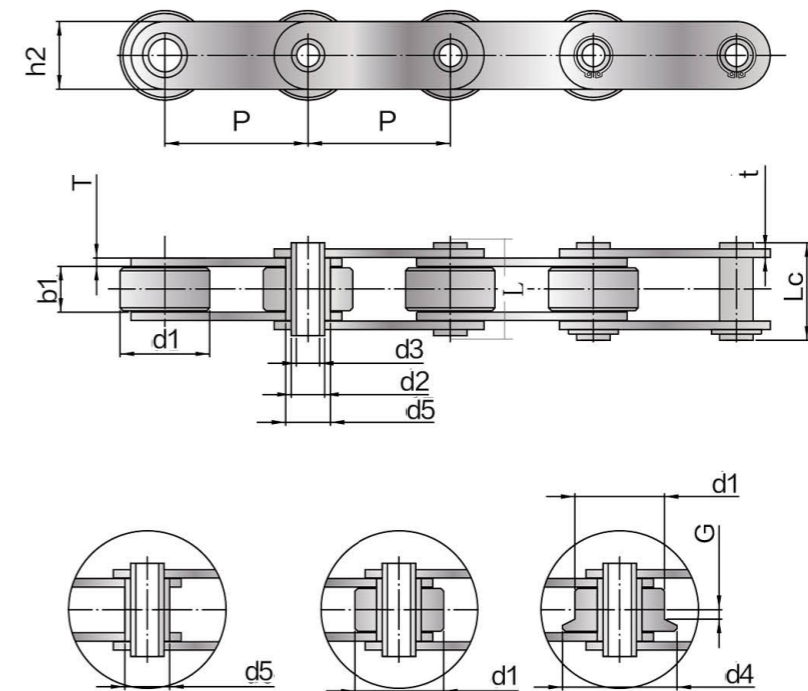


ZE 系列输送链
Conveyor chain (ZE series)

FULONG Chain No.	Pitch		Roller Diameter	Pin Diameter	Bush Diameter	Width Between Inner Plates	Pin Length		Plate Height	Plate Thickness	Ultimate Tensile Strength						
富龙链号	节距		滚子直径	销轴直径	套筒直径	内节内宽	销轴长度	链板高度	链板厚度	极限拉伸载荷							
	P		d1	d2	d3	b1	L Lc	h2 h	T	Q							
			max	max	max	min	max max	max max	max	min							
	mm		mm	mm	mm	mm	mm mm	mm mm	mm	KN							
SSZE40	50.8	63.5	76.2	88.9	101.6	127.0	152.4	31.75	14.00	17.00	15.00	37.00	40.50	40.00	27.00	4.00	28.00
SSZE100	76.2	88.9	101.6	127.0	152.4	177.8	203.2	47.50	19.00	23.00	19.00	45.00	50.50	50.00	30.00	5.0/4.0	65.00
SSZE160	101.6	127.0	152.4	177.8	203.2	228.6	254.0	66.70	26.90	33.00	26.00	58.00	63.50	70.00	45.00	7.0/5.0	104.00
SSZE300	152.4	177.8	203.2	254.0	304.8	-	-	88.90	32.00	38.00	38.00	84.00	94.00	90.00	60.00	10.0/8.0	180.00

链条材质: 300,400,600 系列不锈钢
Material: 300,400,600 series stainless steel

滚子材料可选: POM,PA6
Roller material available: POM, PA6



ZC 空心销轴链
Conveyor chain with hollow pin (ZC Series)

FULONG Chain No.	Pitch		Roller Dimension			Bush Diameter	Width Between Inner Plates	Pin Diameter		Pin Length		Plate Height	Plate Thickness	Ultimate Tensile Strength					
富龙链号	节距		滚子尺寸			套筒直径	内节内宽	销轴直径	销轴长度		链板高度	链板厚度	极限拉伸载荷						
	P		d1	d4	G	d5	b1	d2	d3	L	Lc	h2	T/t	Q					
			max	max	max	max	min	max	max	max	max	max	max	min					
	mm		mm	mm	mm	mm	mm	mm	mm	mm	mm	mm	mm	KN					
SSZC 21	38.1	50.8	63.5	76.2	-	-	-	25.40	-	-	11.00	12.70	9.00	6.50	26.00	27.50	18.00	2.50	14.70
SSZC 40	50.8	63.5	76.2	88.9	101.6	127.0	152.4	31.75	40.00	2.50	17.00	15.00	14.00	10.20	36.40	37.70	25.00	4.00	28.00
SSZC 60	76.2	88.9	101.6	127.0	152.4	177.8	203.2	47.50	60.00	3.50	23.00	19.00	19.00	13.20	45.00	46.50	40.00	5.0/4.0	42.00
SSZC 150	101.6	127.0	152.4	177.8	203.2	228.6	254.0	66.70	82.00	4.00	33.00	26.00	26.90	20.20	58.00	60.50	50.00	7.0/5.5	105.00
SSZC 300	152.4	177.8	203.2	254.0	304.8	-	-	88.90	114.00	8.50	38.00	38.00	32.00	22.50	83.00	85.00	60.00	10.0/8.0	210.00

链条材质: 300,400,600 系列不锈钢
Material: 300,400,600 series stainless steel

滚子材料可选: POM,PA6
Roller material available: POM, PA6

传动链
Driving chain

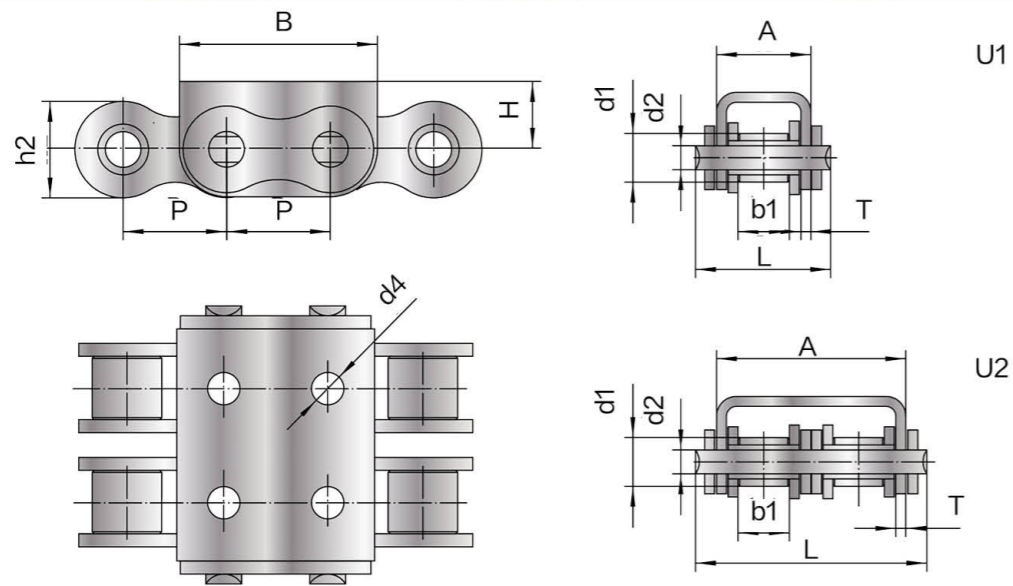
输送链
Conveyor chain

板式链
Leaf chain

农机链
Agricultural chain

焊接链
Welded chain

特殊链
Special chain



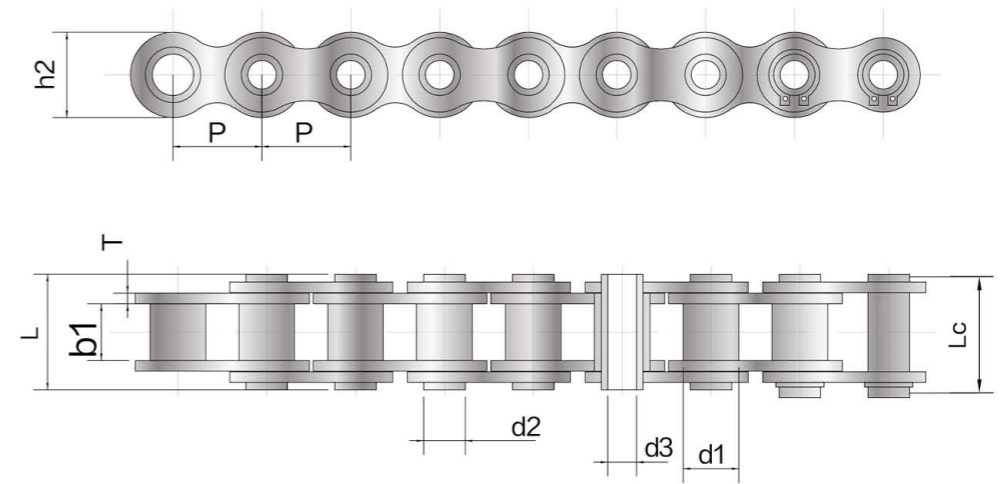
U型附件滚子链

Roller chain with U type attachment

FULONG Chain No.	Pitch	Width Between Inner Plates	Roller Diameter	Pin Diameter	Pin Length	Plate and Attachment Dimensions						Ultimate Tensile Strength	Weight Per Meter
富龙链号	节距	内节内宽	滚子直径	销轴直径	销轴长度	链板、附板尺寸						极限拉伸载荷	每米重量
	P	b1	d1	d2	L	h2	A	B	H	d4	T	Q min	q
	mm	mm	mm	mm	mm	mm	mm	mm	mm	mm	mm	KN	Kg/m
SS08B-U1	12.700	7.75	8.51	4.45	20.00	11.80	14.60	24.20	8.30	-	1.60	12.60	1.13
SS08B-U2	12.700	7.75	8.51	4.45	34.30	11.80	28.40	24.20	8.30	-	1.50	22.40	1.96
SS08B-U2F9	12.700	7.75	8.51	4.45	47.90	12.00	28.40	25.50	8.30	4.00	1.50	20.30	2.00
SS10B-U1	15.875	9.65	10.16	5.08	23.20	14.70	16.80	30.00	11.30	5.00	1.60	13.30	1.53
SS10B-U2	15.875	9.65	10.16	5.08	39.70	14.70	33.30	30.00	11.30	5.00	1.50	31.15	2.47
SS12B-U1	19.050	11.68	12.07	5.72	25.70	16.00	19.60	36.00	13.00	5.00	1.85	20.300	1.90
SS12B-U2	19.050	11.68	12.07	5.72	45.30	16.00	39.10	36.00	12.00	5.00	1.85	40.460	3.03
SS16A-U1	25.400	15.75	15.88	7.92	37.20	24.00	27.50	46.00	16.00	-	2.42	39.690	3.88
SS16B-U1	25.400	17.02	15.88	8.28	39.70	21.00	29.05	49.00	15.40	6.00	1.60	40.600	3.73
SS16B-U2	25.400	17.02	15.88	8.28	71.70	21.00	60.93	49.00	16.20	-	1.60	74.200	6.15
SS20B-F2	31.750	19.56	19.05	10.19	48.00	26.40	36.00	57.00	21.00	8.00	3.50	55.250	6.01
SS20B-U1	31.750	19.56	19.05	10.19	48.00	26.40	36.00	57.00	21.00	-	3.50	55.250	6.00
SS24B-U1	38.100	25.40	25.40	14.63	61.60	33.20	47.00	72.60	28.00	10.00	4.50	104.000	10.88

链条材质: 300,400,600 系列不锈钢
Material: 300,400,600 series stainless steel

滚子材料可选: POM,PA6
Roller material available: POM, PA6



空心销轴链

Hollow pin chain

FULONG Chain No.	Pitch	Roller Diameter	Width Between Inner Plates	Pin Diameter	Pin Length		Inner Plate Height	Plate Thickness	Ultimate Tensile Strength	Weight Per Meter	
富龙链号	节距	滚子直径	内节内宽	销轴直径	销轴长度		内链板高度	链板厚度	极限拉伸载荷	每米重量	
	P	d1	b1	d2	d3	L	Lc	h2	T	Q	q
	mm	mm	mm	mm	mm	mm	mm	mm	mm	KN	Kg/m
SS40HP	12.700	7.95	7.85	5.94	4.00	16.60	17.50	12.00	1.50	7.70	0.54
SS08BHP	12.700	8.51	7.75	6.32	4.50	16.80	17.60	12.15	1.60	7.80	0.52
SS50HP	15.875	10.16	9.40	7.03	5.10	20.75	22.20	15.09	2.00	14.00	0.91
SS60HP	19.050	11.91	12.70	8.31	6.00	26.85	26.80	18.00	2.42	16.80	1.29
SS80HP	25.400	15.88	15.75	11.10	8.10	32.60	34.00	24.00	3.15	35.00	2.26
SSA2080HP	50.800	15.88	15.75	11.10	8.010	32.60	34.00	24.00	3.15	29.60	1.60
SS10BHP	15.875	10.16	9.65	7.01	5.10	19.60	20.50	14.85	1.70	11.90	0.96
SS12BHP	19.050	12.07	11.68	8.02	6.00	22.60	23.90	16.50	1.85	16.52	1.09
SSHB38.1	38.100	20.00	8.00	8.00	5.30	19.60	20.70	17.30	2.00	19.60	0.98
SSHP50.8	50.800	26.00	15.88	20.00	14.30	41.00	42.20	38.10	4.80	70.00	5.32
SSHB50.8	50.800	30.00	10.50	11.40	8.20	27.40	28.60	26.00	3.10	35.00	2.56

链条材质: 300,400,600 系列不锈钢
Material: 300,400,600 series stainless steel

传动链
Driving chain

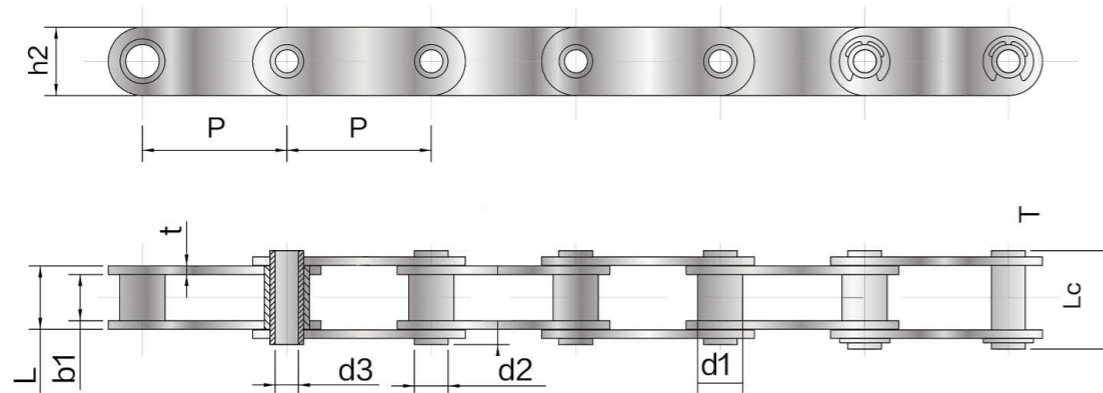
输送链
Conveyor chain

板式链
Leaf chain

农机链
Agricultural chain

焊接链
Welded chain

特殊链
Special chain

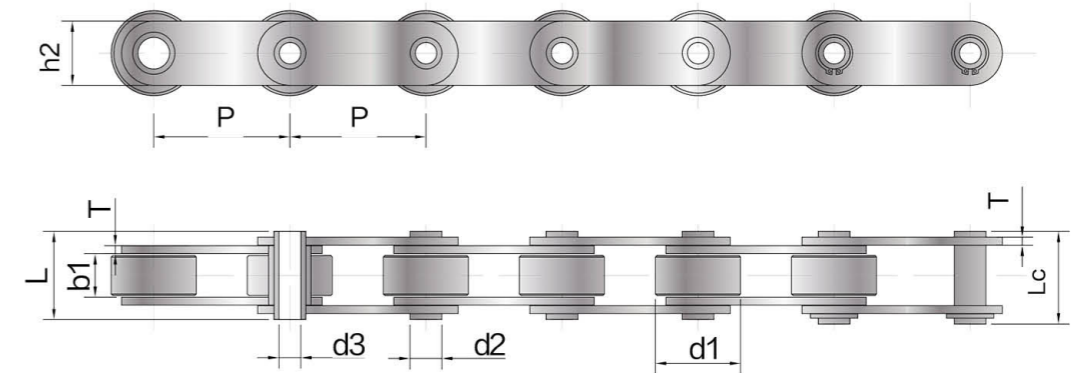


空心销轴链
Hollow pin chain

FULONG Chain No.	Pitch	Roller Diameter	Width Between Inner Plates	Pin Diameter		Pin Length		Inner Plate Height	Plate Thickness	Ultimate Tensile Strength	Weight Per Meter
富龙链号	节距	滚子直径	内节内宽	销轴直径		销轴长度		内链板高度	链板厚度	极限拉伸载荷	每米重量
	P	d1	b1	d2	d3	L	Lc	h2	T	Q	q.
	mm	mm	mm	mm	mm	mm	mm	mm	mm	KN	Kg/m
SSC2040HP	25.400	7.95	7.85	5.94	4.00	16.60	17.50	12.00	1.50	7.7	0.46
SSC2050HP	31.750	10.16	9.40	7.03	5.10	20.75	22.20	15.00	2.00	14.28	0.76
SSC2060HP	38.100	11.91	12.70	8.31	6.00	25.85	26.80	18.00	2.42	16.8	1.02
SSC2080HP	50.800	15.88	15.75	11.10	8.10	32.60	34.00	24.00	3.15	35	1.81
SSC2060H-HP	38.100	11.91	12.70	8.31	6.00	29.25	30.50	18.00	3.15	24	1.29
SSC40HP	12.700	7.95	7.85	5.94	4.00	16.60	17.50	12.00	1.50	7.7	0.64
SSC50HP	15.875	10.16	9.40	7.03	5.10	20.75	22.20	15.09	2.00	14	1.05
SSC60HP	19.050	11.91	12.70	8.31	6.00	25.85	26.80	18.00	2.42	16.8	1.52
SSC80HP	25.400	15.88	15.75	11.10	8.10	34.00	33.80	24.00	3.15	35	2.63
SSC08BHP	12.700	8.51	7.75	6.32	4.50	16.80	17.60	12.15	1.6	7.7	0.62

链条材质: 300,400,600 系列不锈钢
Material: 300,400,600 series stainless steel

滚子材料可选: POM,PA6
Roller material available: POM, PA6

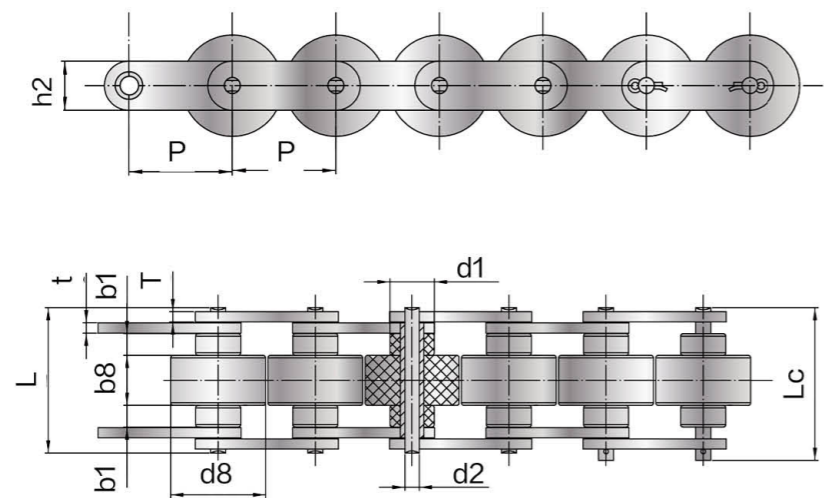


空心销轴链
Hollow pin chain

FULONG Chain No.	Pitch	Roller Diameter	Width Between Inner Plates	Pin Diameter		Pin Length		Inner Plate Height	Plate Thickness	Ultimate Tensile Strength	Weight Per Meter
富龙链号	节距	滚子直径	内节内宽	销轴直径		销轴长度		内链板高度	链板厚度	极限拉伸载荷	每米重量
	P	d1	b1	d2	d3	L	Lc	h2	T	Q	q.
	mm	mm	mm	mm	mm	mm	mm	mm	mm	KN	Kg/m
SSC2042HP	25.400	15.88	7.85	5.94	4.00	16.60	17.50	12.00	1.50	7.70	0.78
SSC2052HP	31.750	19.05	9.53	7.03	5.10	20.75	22.20	15.00	2.00	14.28	1.25
SSC2062HP	38.100	22.23	12.70	8.31	6.00	25.85	26.80	18.00	2.42	16.80	1.72
SSC2082HP	50.800	28.58	15.75	11.10	8.00	32.60	34.00	24.00	3.15	35.00	2.82
SSC2042H-HP	25.400	15.88	7.85	5.94	4.00	19.20	20.00	12.00	2.00	7.70	0.95
SSC2052H-HP	31.750	19.05	9.53	7.03	5.10	22.60	24.00	15.00	2.42	14.26	1.44
SSC2062H-HP	38.100	22.23	12.70	8.31	6.00	29.25	30.50	18.00	3.15	16.80	1.99
SSC2082H-HP	50.800	28.58	15.75	11.10	8.10	35.70	37.00	24.00	4.00	35.00	3.34
SSHP50.8	50.800	26.00	15.88	20.00	14.30	41.00	42.20	38.10	4.80	70.00	5.32

链条材质: 300,400,600 系列不锈钢
Material: 300,400,600 series stainless steel

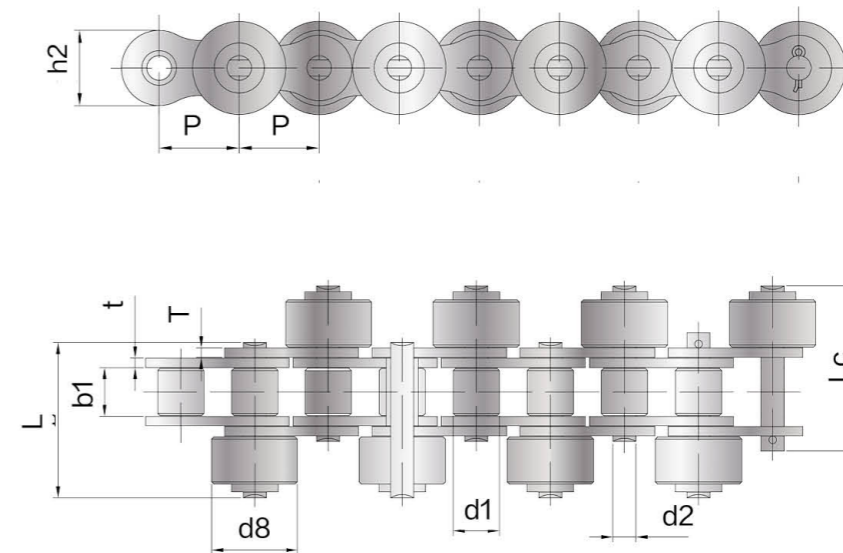
滚子材料可选: POM,PA6
Roller material available: POM, PA6



倍速链
Speed chain

FULONG Chain No.	Pitch	Roller Dimension				Pin Diameter	Pin Length		Plate Dimension			Weight Per Meter
富龙链号	节距	滚子尺寸				销轴直径	销轴长度		链板尺寸			每米重量
	P	d1 max	d8 max	b1 max	b8 max	d2 max	L max	Lc max	h2 max	T max	t max	q
	mm	mm	mm	mm	mm	mm	mm	mm	mm	mm	mm	Kg/m
SSC2030W BS25-C206B	19.05	11.91	18.3	4.00	8.0	3.28	24.0	25.6	8.20	1.30	1.50	0.52
SSC2040W BS25-C208A	25.40	15.88	24.6	5.70	10.3	3.96	31.0	32.8	11.70	1.50	1.50	0.79
SSC2050W BS25-C210A	31.75	19.05	30.6	7.10	13.0	5.08	39.5	41.2	15.00	2.03	2.03	1.36
SSC2060HW BS25-C212A	38.100	22.23	36.6	8.50	15.5	5.94	48.8	51.5	18.00	3.25	3.25	2.19
SSC2080W BS25-C216A	50.80	28.58	49.0	11.00	21.5	7.92	66.2	70.0	24.00	4.00	5.00	4.06
BS30-C206B	19.05	9.00	18.3	4.50	9.1	3.28	26.3	29.6	7.28	1.30	1.50	0.50
BS30-C208A	25.40	11.91	24.6	6.10	12.5	3.96	35.6	39.5	9.60	1.50	2.00	0.83
BS30-C210A	31.75	14.80	30.6	7.50	15.0	5.08	43.0	47.1	12.20	2.00	2.40	1.27
BS30-C212A	38.10	18.00	37.0	9.75	20.0	5.94	58.1	62.7	15.00	3.00	4.00	2.14
BS30-C216A	50.80	22.23	49.0	12.00	25.2	7.92	71.9	77.3	18.60	4.00	5.00	3.55

链条材质: 300,400,600 系列不锈钢
Material: 300,400,600 series stainless steel



倍速链
Speed chain

FULONG Chain No.	Pitch	Roller Dimension		Width Between Inner Plates	Pin Diameter	Pin Length		Plate Dimension		Ultimate Tensile Strength	Weight Per Meter
富龙链号	节距	滚子尺寸		内节内宽	销轴直径	销轴长度		链板尺寸		极限拉伸载荷	每米重量
	P	d1 max	d8 max	b1 min	d2 max	L max	Lc max	h2 max	T/t max	Q min	q
	mm	mm	mm	mm	mm	mm	mm	mm	mm	KN	Kg/m
SS40S	12.700	7.95	15.88	7.85	3.96	25.8	27.0	12.0	1.50	9.66	0.9
SS40-PSR	12.700	7.95	15.88	7.85	3.96	25.8	27.0	12.0	1.50	9.66	1.6
SS50-SR-C	15.875	10.16	19.05	9.40	5.08	31.8	34.0	15.1	2.03	15.26	2.4
SS60S	19.050	11.91	22.23	12.57	5.94	40.0	42.5	18.0	2.42	22.26	1.9
SS80S	25.400	15.88	28.58	15.75	7.92	51.3	54.3	24.0	3.25	39.69	3.6
SS80S-C	25.400	15.88	28.58	15.75	7.92	51.3	54.3	24.0	3.25	39.69	5.8

链条材质: 300,400,600 系列不锈钢
Material: 300,400,600 series stainless steel

滚子材料可选: POM,PA6
Roller material available: POM, PA6

传动链
Driving chain

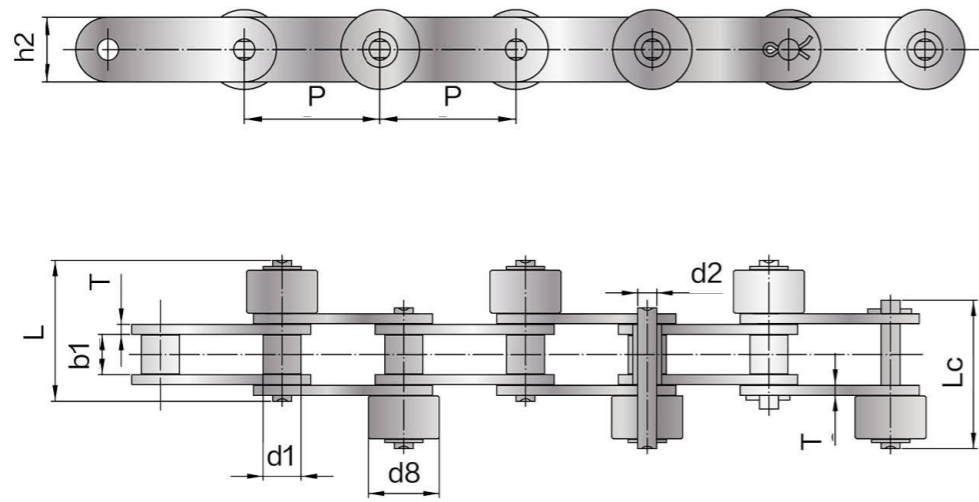
输送带
Conveyor chain

板式链
Leaf chain

农机链
Agricultural chain

焊接链
Welded chain

特殊链
Special chain

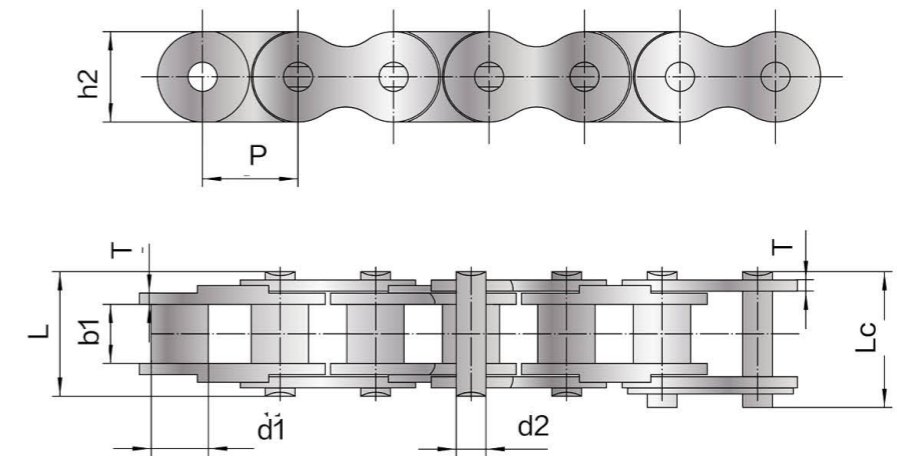


倍速链
Speed chain

FULONG Chain No.	Pitch	Roller Dimension		Width Between Inner Plates	Pin Diameter	Pin Length		Plate Dimension		Ultimate Tensile Strength	Weight Per Meter
富龙链号	节距	滚子尺寸		内节内宽	销轴直径	销轴长度		链板尺寸		极限拉伸载荷	每米重量
	P	d1 max	d8 max	b1 min	d2 max	L max	Lc max	h2 max	T max	Q min	q
	mm	mm	mm	mm	mm	mm	mm	mm	mm	KN	Kg/m
SSC2040S2-PSR	25.400	7.95	15.88	7.85	3.96	25.8	27.0	12.0	1.50	9.66	0.99
SSC2050S	31.750	10.16	19.05	9.40	5.08	31.8	34.0	15.0	2.03	15.26	1.52
SSC2052SF1	31.750	19.05	27.00	9.40	5.08	35.0	37.3	15.0	2.03	15.26	3.06
SSC2060HS	38.100	11.91	22.23	12.57	5.94	44.0	46.6	18.0	3.25	21.70	1.78
SSC2082HSF2	50.800	28.58	40.00	15.75	7.92	54.6	57.8	24.0	4.00	38.92	6.64
SSC2100HS-P	63.500	19.05	39.69	18.90	9.53	65.3	68.6	30.0	4.80	60.69	4.44

链条材质: 300,400,600 系列不锈钢
Material: 300,400,600 series stainless steel

滚子材料可选: POM,PA6
Roller material available: POM, PA6



塑料链
Plastic chain

FULONG Chain No.	Pitch	Roller Diameter	Width Between Inner Plates	Pin Diameter	Pin Length		Inner Plate Height	Plate Thickness	Ultimate Tensile Strength
富龙链号	节距	滚子直径	内节内宽	销轴直径	销轴长度		内链板高度	链板厚度	极限拉伸载荷
	P	d1	b1	d2	L	Lc	h2	T	Q
	mm	mm	mm	mm	mm	mm	mm	mm	KN
SS04CPSa	6.350	3.30	3.10	2.31	7.90	8.40	6.00	0.80	0.60
SS06CPSa	9.525	5.08	4.68	3.58	12.40	13.20	9.00	1.30	1.10
SS08APSa	12.700	7.92	7.85	3.96	16.60	17.80	12.00	1.50	2.50
SS10APSa	15.875	10.16	9.40	5.08	20.70	22.20	15.10	2.03	3.50
SS12APSa	19.050	11.91	12.57	5.94	25.90	27.70	18.00	2.42	4.50
SS16APSa	25.400	15.88	15.75	7.92	32.70	35.00	24.00	3.25	7.50
SS08BPSa	12.700	8.51	7.75	4.45	16.70	18.20	11.80	1.60	2.50
SS10BPSa	15.875	10.16	9.65	5.08	19.50	20.90	14.70	1.70	2.80
SS12BPSa	19.050	12.07	11.68	5.72	22.50	24.20	16.00	1.85	4.20
SS16BPSa	25.400	15.88	17.02	8.28	36.10	37.40	21.00	4.15/3.10	7.50

链条材质: 300,400,600 系列不锈钢
Material: 300,400,600 series stainless steel

滚子材料可选: POM,PA6
Roller material available: POM, PA6

传动链
Driving chain

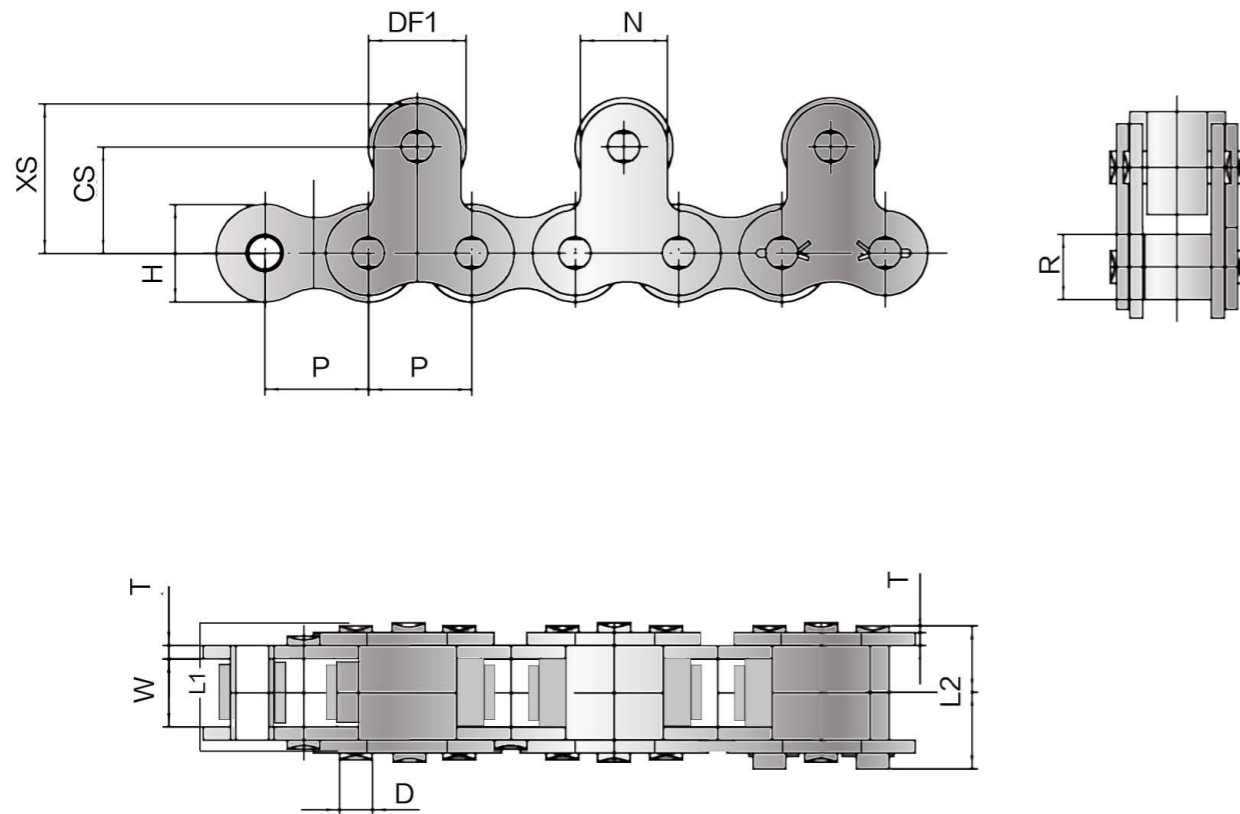
输送链
Conveyor chain

板式链
Leaf chain

农机链
Agricultural chain

焊接链
Welded chain

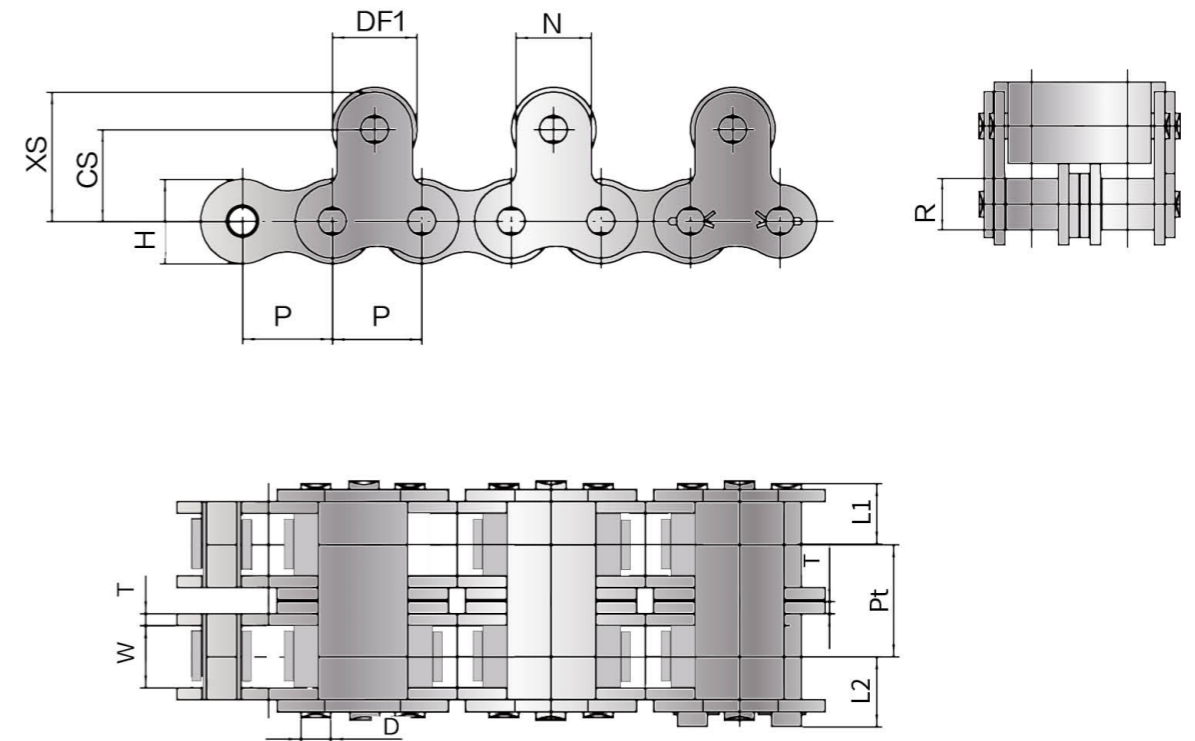
特殊链
Special chain



单排顶置滚轮链

Single strand top roller conveyor chain

FULONG Chain No.	Pitch	Width Between Inner Plates	Roller Diameter	Pin Diameter	Pin Length		Plate Height	Plate Thickness	Top Roller				
富龙链号	节距	内节内宽	滚子直径	销轴直径	销轴长度	销轴长度	链板高度	链板厚度	顶置滚轮				
	P	W	R	D	L1	L2	H	T	DF1	DF2	CS	N	XS
SS40-TR	12.700	7.95	7.92	3.97	8.25	9.95	12.00	1.50	11.00	15.88	12.70	9.50	17.45
SS50-TR	15.875	9.53	10.16	5.09	10.30	12.00	15.00	2.00	15.00	19.05	15.90	12.70	22.25
SS60-TR	19.050	12.70	11.91	5.96	12.85	14.75	18.10	2.40	18.00	22.23	18.30	15.90	26.25
SS80-TR	25.400	15.88	15.88	7.94	16.25	19.25	24.10	3.20	24.00	28.58	24.60	19.10	34.15
SS100-TR	31.750	19.05	19.05	9.54	19.75	22.85	30.10	4.00	30.00	39.69	31.80	25.40	44.50



双排顶置滚轮链

Double strands top roller conveyor chain

FULONG Chain No.	Pitch	Width Between Inner Plates	Roller Diameter	Transverse Pitch	Pin Diameter	Pin Length		Plate Height	Plate Thickness	Top Roller			
富龙链号	节距	内节内宽	滚子直径	排距	销轴直径	销轴长度	销轴长度	链板高度	链板厚度	顶置滚轮			
	P	W	R	pt	D	L1	L2	H	T	DF1	DF2	CS	N
SS40-2-TR	12.700	7.95	7.92	14.40	3.97	15.45	17.15	12.00	1.50	15.88	12.70	17.45	9.50
SS50-2-TR	15.875	9.53	10.16	18.10	5.09	19.35	21.15	15.00	2.00	19.05	15.90	22.25	12.70
SS60-2-TR	19.050	12.70	11.91	22.80	5.96	24.25	26.25	18.10	2.40	22.23	19.30	26.25	15.90
SS80-2-TR	25.400	15.88	15.88	29.30	7.94	30.90	33.90	24.10	3.20	28.58	24.60	34.15	19.10
SS100-2-TR	31.750	19.05	19.05	35.80	9.54	37.70	40.80	30.10	4.00	39.69	31.80	44.50	25.40

传动链
Driving chain

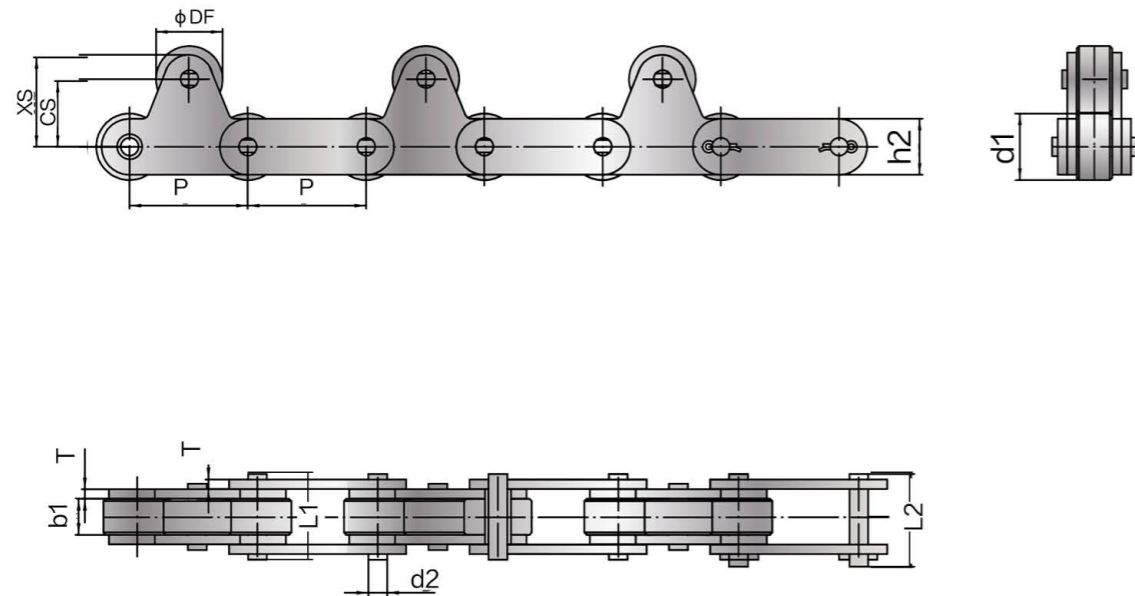
输送链
Conveyor chain

板式链
Leaf chain

农机链
Agricultural chain

焊接链
Welded chain

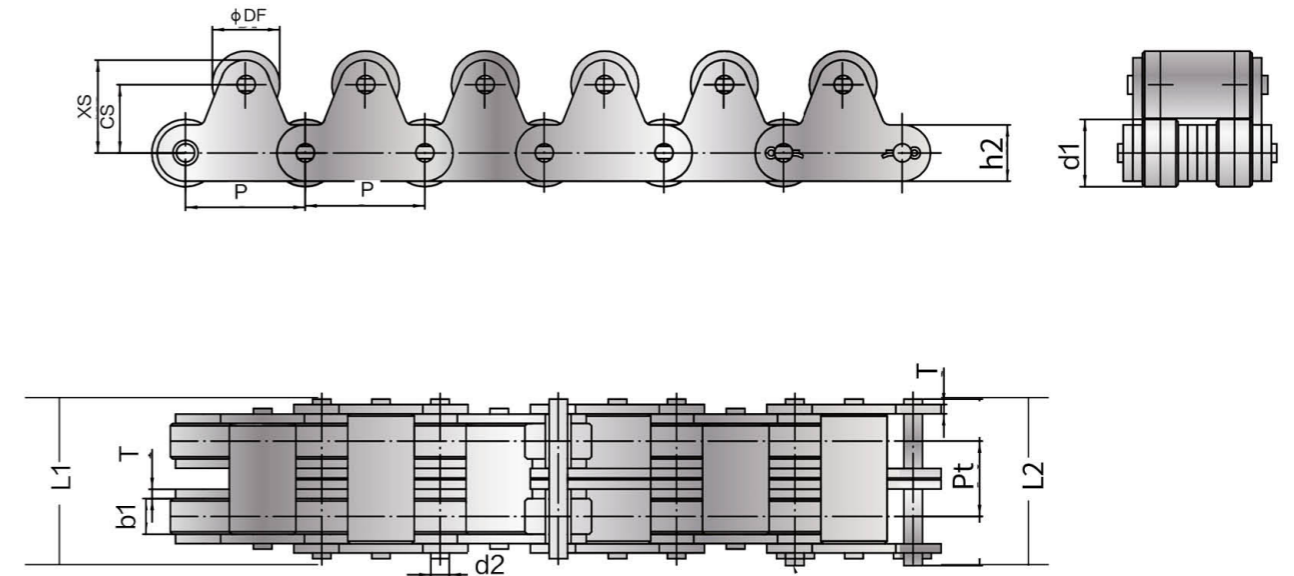
特殊链
Special chain



单排双节距顶置滚轮链
Single strand double pitch top roller chain

FULONG Chain No.	Pitch	Width Between Inner Plates	Roller Diameter	Pin Diameter	Pin Length		Plate Height	Plate Thickness	Top Roller		
富龙链号	节距	内节内宽	滚子直径	销轴直径	销轴长度		链板高度	链板厚度	顶置滚轮		
	P	b1	d1	d2	L1	L2	h2	T	DF	CS	XS
SS2040-TR	25.400	7.95	7.92	3.97	8.25	9.95	12.00	1.50	15.88	15.00	21.00
SS2050-TR	31.750	9.53	10.16	5.09	10.30	12.00	15.00	2.00	19.05	19.00	26.50
SS2060-TR	38.100	12.70	11.91	5.96	14.55	16.55	17.20	3.20	22.23	23.00	31.60
SS2080-TR	50.800	15.88	15.88	7.94	18.30	20.90	23.00	4.00	28.58	29.00	40.50
SS2100-TR	63.500	19.05	19.05	9.54	21.80	24.50	28.60	4.80	39.69	35.40	49.70

链条材质: 300,400,600 系列不锈钢
Material: 300,400,600 series stainless steel



双排双节距顶置滚轮链
Double strands double pitch top roller conveyor chain

FULONG Chain No.	Pitch	Width Between Inner Plates	Roller Diameter	Transverse Pitch	Pin Diameter	Pin Length		Plate Height	Plate Thickness	Top Roller		
富龙链号	节距	内节内宽	滚子直径	排距	销轴直径	销轴长度		链板高度	链板厚度	顶置滚轮		
	P	b1	d1	pt	d2	L1	L2	h2	T	DF	CS	XS
SS2040-2-TR	25.400	7.95	7.92	14.40	3.97	15.45	17.15	12.00	1.50	15.88	15.00	21.00
SS2050-2-TR	31.750	9.53	10.16	18.10	5.09	19.35	21.15	15.00	2.00	19.05	19.00	26.50
SS2060-2-TR	38.100	12.70	11.91	26.20	5.96	27.70	29.60	17.20	3.20	22.23	23.00	31.60
SS2080-2-TR	50.800	15.88	15.88	32.60	7.94	34.60	37.20	23.00	4.00	28.58	29.00	40.50
SS2100-2-TR	63.500	19.05	19.05	39.10	9.54	41.40	44.10	28.60	4.80	39.69	35.40	49.70

链条材质: 300,400,600 系列不锈钢
Material: 300,400,600 series stainless steel

传动链
Driving chain

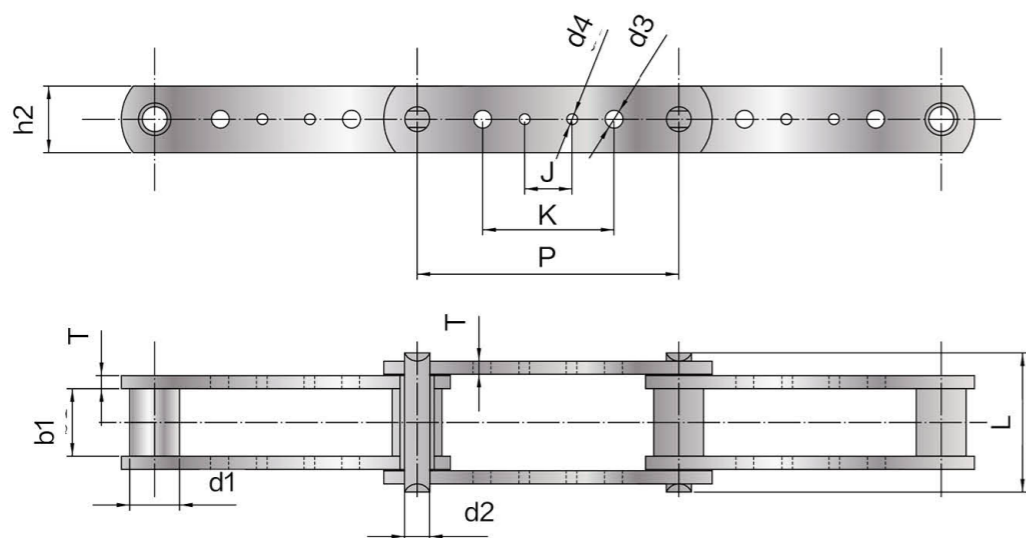
输送链
Conveyor chain

板式链
Leaf chain

农机链
Agricultural chain

焊接链
Welded chain

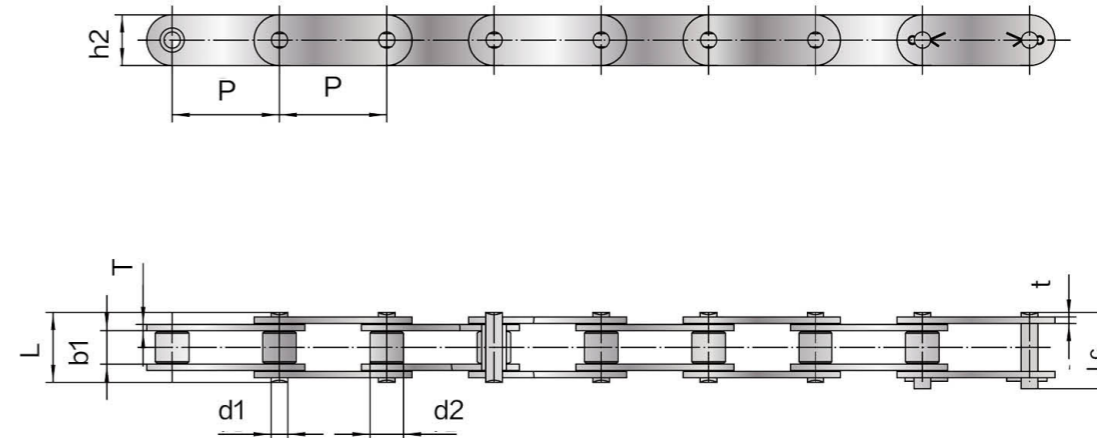
特殊链
Special chain



木材输送链 (3939 系列)
Lumber conveyor chain (3939 series)

FULONG Chain No.	Pitch	Roller Diameter	Width Between Inner Plates	Pin Diameter	Pin Length	Plate and Attachment Dimensions						Ultimate Tensile Strength	Weight Per Meter
富龙链号	节距	滚子直径	内节内宽	销轴直径	销轴长度	链板、附板尺寸						极限拉伸载荷	每米重量
	P	d1	b1	d2	L	h2	d3	d4	J	K	T	Q	q
		max	max	max	max	max	max	max	max	max	max	min	
	mm	mm	mm	mm	mm	mm	mm	mm	mm	mm	mm	KN	Kg/m
SS3939-B4	203.200	23.00	27.00	11.10	49.00	28.58	7.20	7.20	38.10	101.60	4.00	80.906	2.45
SS3939-B21	203.200	23.00	27.00	11.10	49.00	28.58	7.20	-	38.10	-	4.00	80.906	2.45
SS3939-B23	203.200	23.00	27.00	11.10	49.00	28.58	-	10.30	-	92.10	4.00	80.906	2.45
SS3939-B24	203.200	23.00	27.00	11.10	49.00	28.58	-	7.20	-	101.60	4.00	80.906	2.48
SS3939-B40	203.200	23.00	27.00	11.10	49.00	28.58	-	10.30	-	101.60	4.00	80.906	2.45
SS3939-B43	203.200	23.00	27.00	11.10	49.00	28.58	7.20	10.30	38.10	92.10	4.00	80.906	2.42
SS3939-B44	203.200	23.00	27.00	11.10	49.00	28.58	7.20	10.30	38.10	101.60	4.00	80.906	2.45
SS3939H-B4	203.200	23.00	27.00	11.10	49.00	28.60	-	7.20	38.00	102.00	6.40	105.000	3.51

链条材质: 300,400,600 系列不锈钢
Material: 300,400,600 series stainless steel



木材输送链
Lumber conveyor chain

FULONG Chain No.	Pitch	Roller Diameter	Width Between Inner Plates	Pin Diameter	Pin Length		Plate Dimensions		Ultimate Tensile Strength	Average Tensile Strength	Weight Per Meter
富龙链号	节距	滚子直径	内节内宽	销轴直径	销轴长度		链板尺寸		极限拉伸载荷	平均拉伸载荷	每米重量
	P	d2	b1	d1	L	Lc	h2	T/t	Q	Q0	q
		max	max	max	max	max	max	max	min		
	mm	mm	mm	mm	mm	mm	mm	mm	KN	KN	Kg/m
SS81X	66.27	23.00	27.00	11.10	49.00	53.50	28.50	4.00	74.69	90.23	3.78
SS81XH	66.27	23.00	27.78	11.10	60.70	65.10	31.35	7.94/5.551	106.33	122.99	5.88
SS81XHE	66.27	22.20	27.00	11.10	59.50	63.00	28.50	6.30	58.31	62.37	5.09
SS81XF14	66.27	23.00	27.00	11.10	50.80	53.80	28.70	4.00	59.85	63.98	3.78
SS81XHH	66.27	23.00	27.78	11.10	65.60	70.00	31.35	7.94	133.77	148.82	6.70
SS81XHS	66.27	23.00	27.00	11.10	63.60	68.00	31.80	7.60	106.40	124.04	6.55
SS500R	50.00	25.40	25.40	14.63	52.00	56.40	40.00	5.00	70.00	80.15	7.13
SS441.100R	100.00	25.40	25.40	14.63	52.00	56.40	40.00	5.00	70.00	80.15	5.15

链条材质: 300,400,600 系列不锈钢
Material: 300,400,600 series stainless steel

传动链
Driving chain

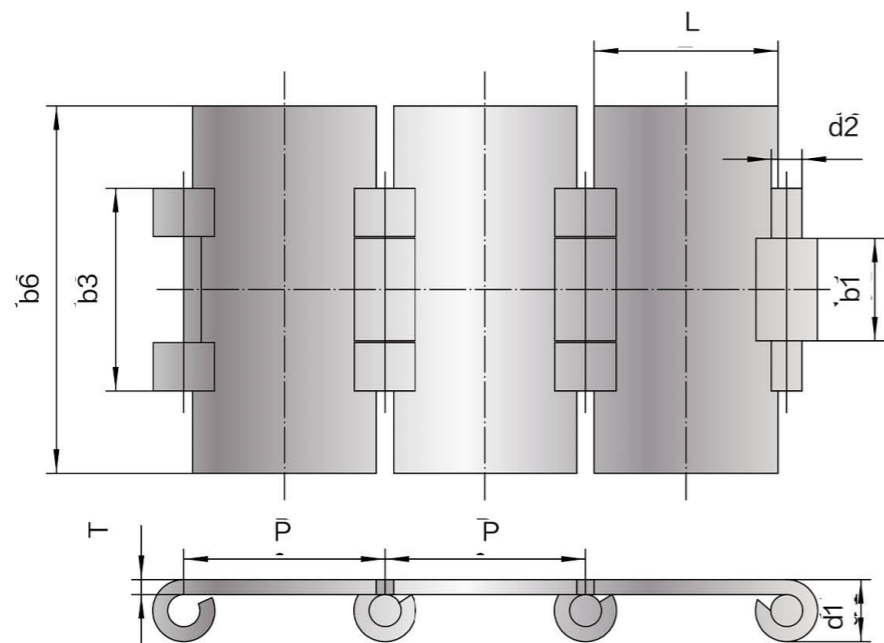
输送链
Conveyor chain

板式链
Leaf chain

农机链
Agricultural chain

焊接链
Welded chain

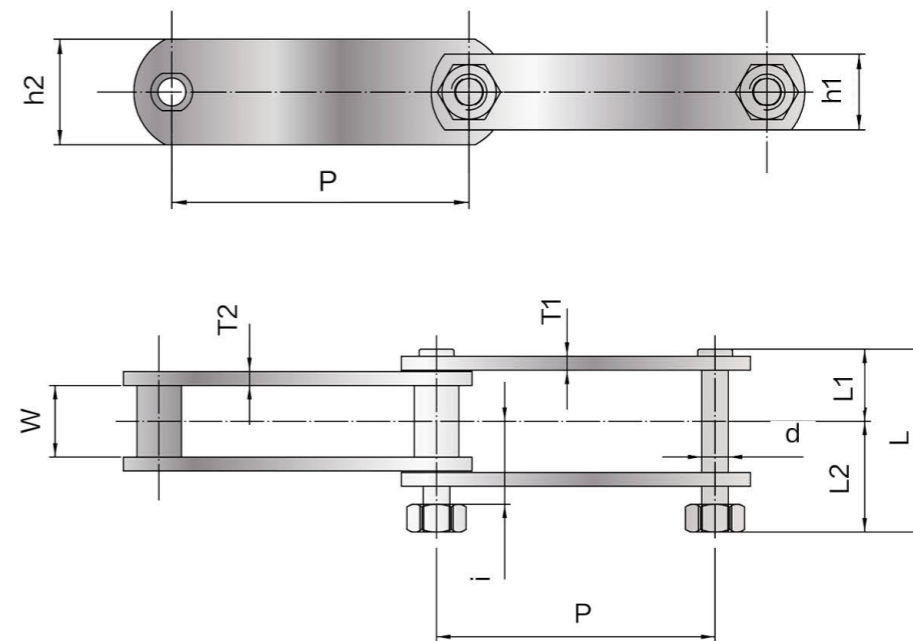
特殊链
Special chain



平顶链
Flat top chain

FULONG Chain No.	Pitch 节距	Dimension 尺寸							Ultimate Tensile Strength 极限拉伸载荷		Weight Per Meter 每米重量
		P	b6 max	d1 max	d2 max	T max	L	b1 max	b3 max	300 serie	
富龙链号	mm	mm	mm	mm	mm	mm	mm	mm	KN min	KN min	Kg/m
SSC12S/K300	38.1	76.2	13.13	6.35	3.10	36.80	20.0	42.05	8.00	6.25	2.39
SSC13S/K325	38.1	82.6	13.13	6.35	3.10	36.80	20.0	42.05	8.00	6.25	2.55
SSC14S/K350	38.1	88.9	13.13	6.35	3.10	36.80	20.0	42.05	8.00	6.25	2.70
SSC16S/K400	38.1	101.6	13.13	6.35	3.10	36.80	20.0	42.05	8.00	6.25	2.99
SSC18S/K450	38.1	114.3	13.13	6.35	3.10	36.80	20.0	42.05	8.00	6.25	3.29
SSC20S/K500	38.1	127.0	13.13	6.35	3.10	36.80	20.0	42.05	8.00	6.25	3.59
SSC24S/K600	38.1	152.4	13.13	6.35	3.10	36.80	20.0	42.05	8.00	6.25	4.17
SSC30S/K750	38.1	190.5	13.13	6.35	3.10	36.80	20.0	42.05	8.00	6.25	5.06

链条材质: 300,400,600 系列不锈钢
Material: 300,400,600 series stainless steel



HSS 不锈钢链
HSS stainless steel chain

FULONG Chain No.	Pitch 节距	Average Tensile Strength 平均拉伸载荷	Ultimate Tensile Strength 极限拉伸载荷	Weight Per Meter 每米重量			Dimension 尺寸											
				Bush Type 套筒型式	Roller Type 滚子型式	Roller/Bush Diameter 套筒直径	Width Between Inner Plates 内节内宽	Pin Diameter 销轴直径	Pin Length 销轴长度	Outer Plate 外链板	Inner Plate 内链板							
富龙链号	P	KN	KN	B	S	F	B	S	F	W	d	L	L1	L2	h1	T1	h2	T2
SSHSS15215-B,S,F	152.40	105.00	94.50	4.2	4.6	7.3	24.0	29.0	48.0	26.0	13.5	62.0	29.0	33.0	36.0	5.0	36.0	5.0
SSHSS15219-B,S,F	152.40	133.00	122.50	5.8	6.7	8.5	26.0	32.0	50.0	30.0	14.5	72.0	32.0	40.0	38.0	6.0	38.0	6.0
SSHSS15225-B,S,F	152.40	175.00	161.00	6.9	7.7	11.5	30.0	36.0	58.0	34.0	15.3	80.0	36.0	44.0	44.0	6.0	44.0	6.0
SSHSS15235-B,S,F	152.40	245.00	224.00	10.3	11.7	16.4	36.0	32.0	70.0	38.0	18.9	88.0	40.0	48.0	54.0	7.0	54.0	7.0

链条材质: 300,400,600 系列不锈钢
Material: 300,400,600 series stainless steel

传动链
Driving chain

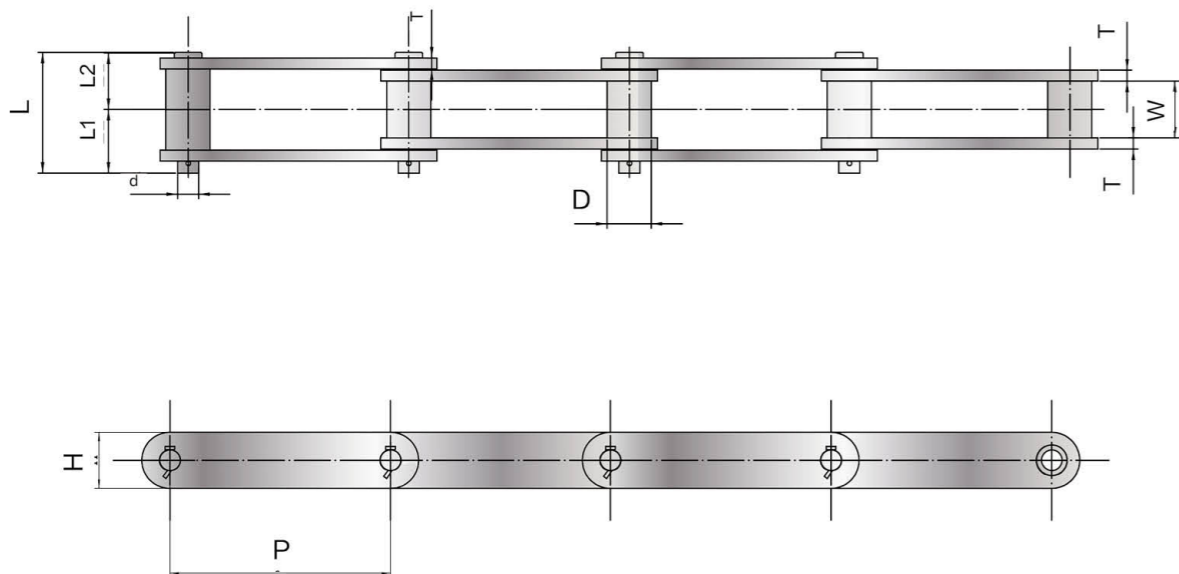
输送链
Conveyor chain

板式链
Leaf chain

农机链
Agricultural chain

焊接链
Welded chain

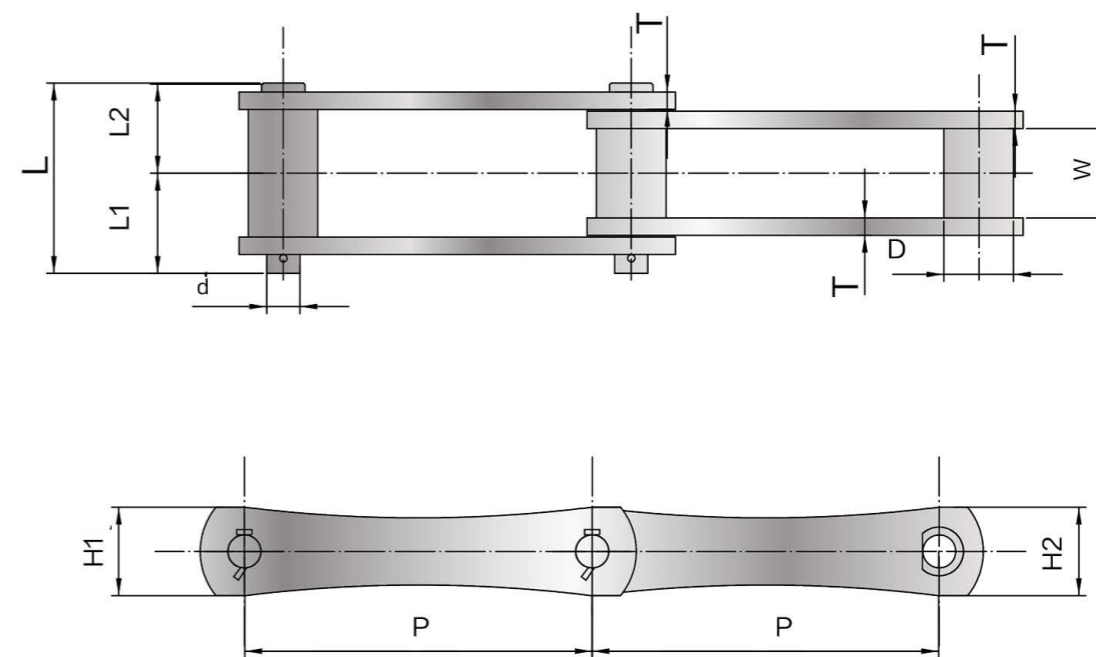
特殊链
Special chain



HSC 不锈钢链
HSC stainless steel chain

FULONG Chain No.	Pitch	Average Tensile Strength	Ultimate Tensile Strength	Weight			Dimension									
				Roller Type			Roller/Bush Diameter			Width Between Inner Plates	Pin Diameter	Pin Length			Plate	
富龙链号	节距	平均拉伸载荷	极限拉伸载荷	滚子类型			套筒直径	滚子型式	滚子型式	内节内宽	销轴直径	销轴长度			链板	
	P	KN	KN	S	F	R	S	F	R	W	d	L	L1	L2	H	T
SSHSC15215-S,F,R	152.40	105.00	94.50	6.0	8.0	7.8	25.4	50.8	50.8	30.2	11.05	69.0	31.0	38.0	38.1	6.3
SSHSC15219-S,F,R	152.40	133.00	119.70	6.6	8.0	7.8	29.0	50.8	50.8	30.2	14.18	73.3	32.8	40.5	38.1	6.3
SSHSC15228-S,F,R	152.40	196.00	178.50	9.3	13.0	12.0	34.9	65.0	65.0	37.1	15.80	887.5	40.0	47.5	44.5	7.9
SSHSC15235-S,F,R	152.40	266.00	245.00	12.6	18.1	17.1	39.7	70.0	70.0	37.1	18.94	97.5	44.5	53.0	50.8	9.5
SSHSC15248-S,F,R	152.40	364.00	329.00	17.8	-	-	44.5	-	-	57.2	22.11	119.6	55.3	64.3	63.5	9.5

链条材质: 300,400,600 系列不锈钢
Material: 300,400,600 series stainless steel



SAV 不锈钢链
SAV stainless steel chain

FULONG Chain No.	Pitch	Average Tensile Strength	Ultimate Tensile Strength	Weight Per Meter	Dimension									
					Bush Diameter	Width Between Inner Plates	Pin Diameter	Pin Length			Outer Plate		Inner Plate	
富龙链号	节距	平均拉伸载荷	极限拉伸载荷	重量	套筒直径	内节内宽	销轴直径	销轴长度			外链板		内链板	
	P	KN	KN	kg/m	D	W	d	L	L1	L1	H1	T	H2	T
SSSAV15211-B	152.40	77.00	70.00	3.2	22.4	22.4	11.5	56.0	25.0	31.0	31.0	6.0	37.0	6.0
SSSAV15215-B	152.40	105.00	94.50	5.3	26.0	30.0	14.5	72.0	32.0	40.0	40.0	6.0	48.0	6.0
SSSAV15219-B	152.40	133.00	122.50	5.3	26.0	30.0	14.5	72.0	32.0	40.0	40.0	6.0	48.0	6.0

链条材质: 300,400,600 系列不锈钢
Material: 300,400,600 series stainless steel

传动链
Driving chain

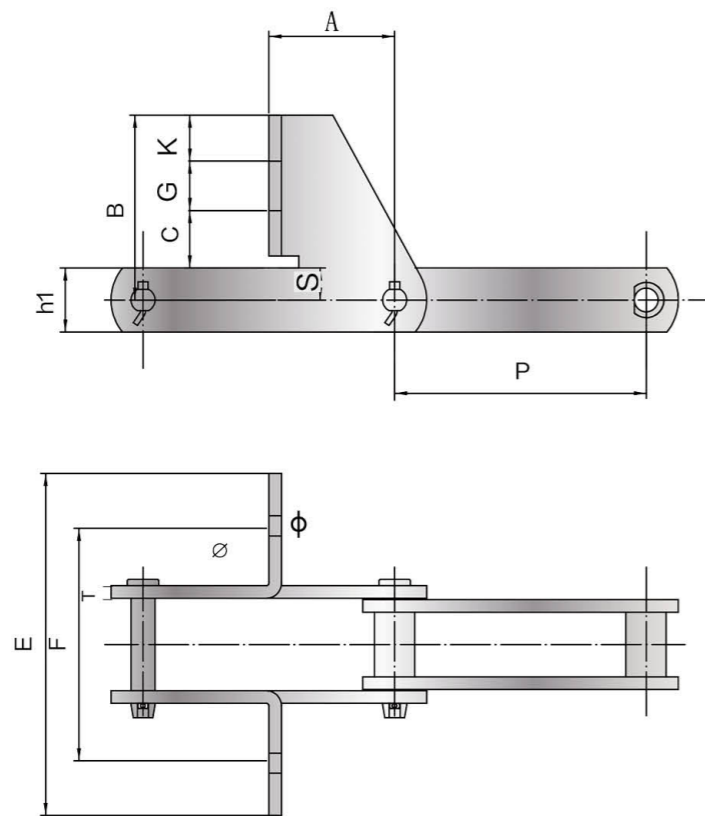
输送带
Conveyor chain

板式链
Leaf chain

农机链
Agricultural chain

焊接链
Welded chain

特殊链
Special chain

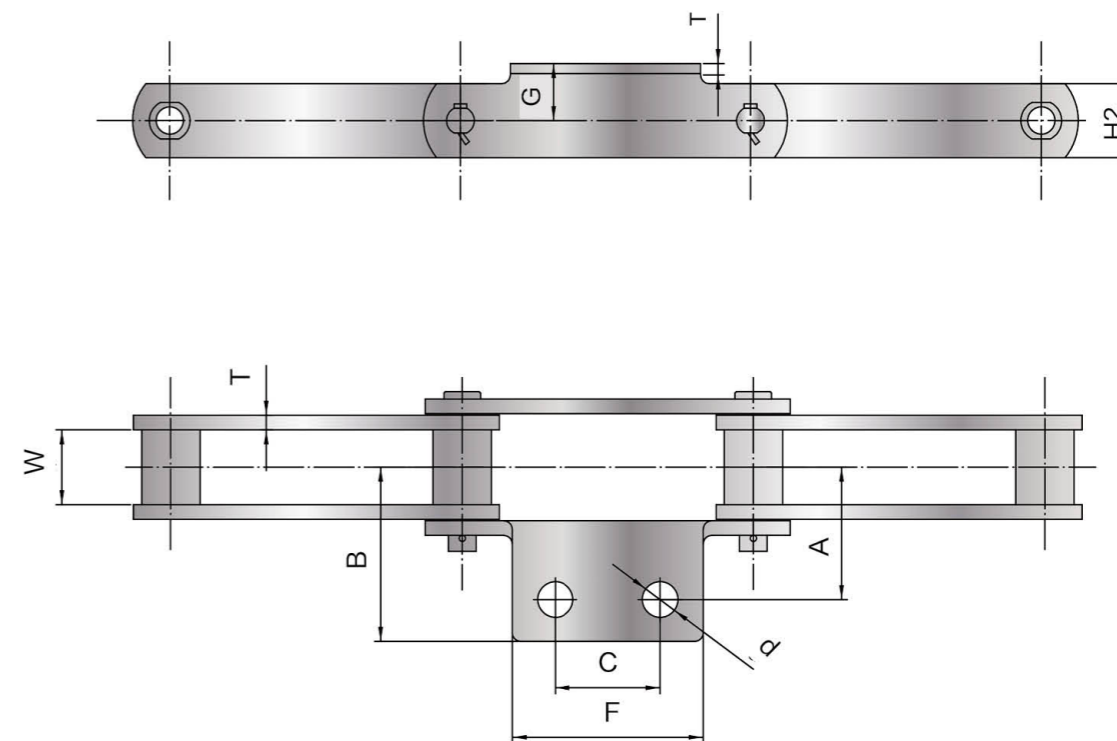


HSS 不锈钢链附件 SF4

HSS stainless steel chain with attachment SF4

FULONG Chain No.	Dimension 尺寸										Attachment Weight
	A	B	C	E	F	G	K	S	T	φ	附件重量
富龙链号	mm	mm	mm	mm	mm	mm	mm	mm	mm	mm	Kg/Pc
SSHSS15215	76.00	140.00	38.00	140.00	100.00	60.00	20.00	22.00	5.00	14.00	1.00
SSHSS15219	76.00	157.50	40.00	140.00	100.00	75.00	20.00	22.50	6.00	14.00	1.30
SSHSS15219	76.00	142.50	40.00	150.00	112.00	60.00	20.00	22.50	6.00	14.00	1.40
SSHSS15219	76.00	155.00	32.00	140.00	100.00	65.00	20.00	38.00	6.00	14.00	1.45
SSHSS15225	76.00	162.00	40.00	140.00	100.00	75.00	20.00	27.00	6.00	18.00	1.60
SSHSS15235	76.00	175.00	40.00	150.00	110.00	75.00	25.00	35.00	7.00	18.00	1.90

链条材质: 300,400,600 系列不锈钢
Material: 300,400,600 series stainless steel



HSS 不锈钢链附件 A2

HSS stainless steel chain with attachment A2

FULONG Chain No.	Dimension 尺寸							Attachment Weight
	A	B	C	F	G	d	T	附件重量
富龙链号	mm	mm	mm	mm	mm	mm	mm	Kg/Pc
SSHSS15215	45.00	60.00	60.00	90.00	30.00	14.00	5.00	0.16
SSHSS15219	50.00	65.00	60.00	90.00	32.00	14.00	6.00	0.21
SSHSS15225	55.00	75.00	60.00	100.00	35.00	18.00	6.00	0.27
SSHSS15235	65.00	90.00	60.00	100.00	42.00	18.00	7.00	0.39

链条材质: 300,400,600 系列不锈钢
Material: 300,400,600 series stainless steel

传动链
Driving chain

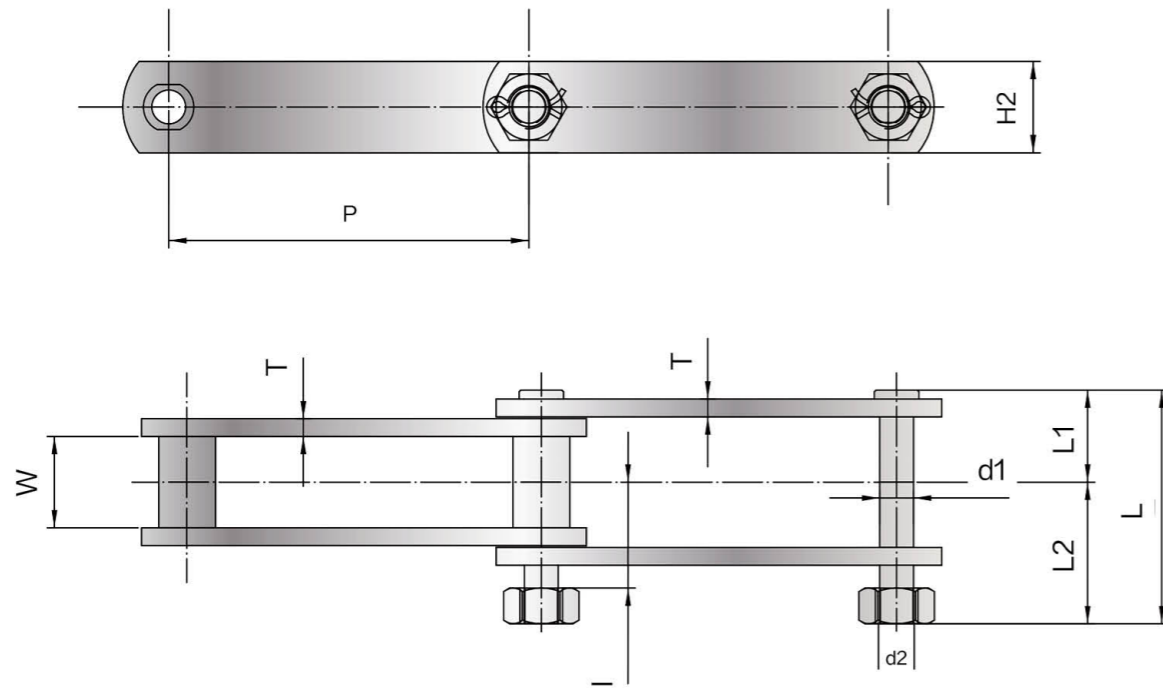
输送链
Conveyor chain

板式链
Leaf chain

农机链
Agricultural chain

焊接链
Welded chain

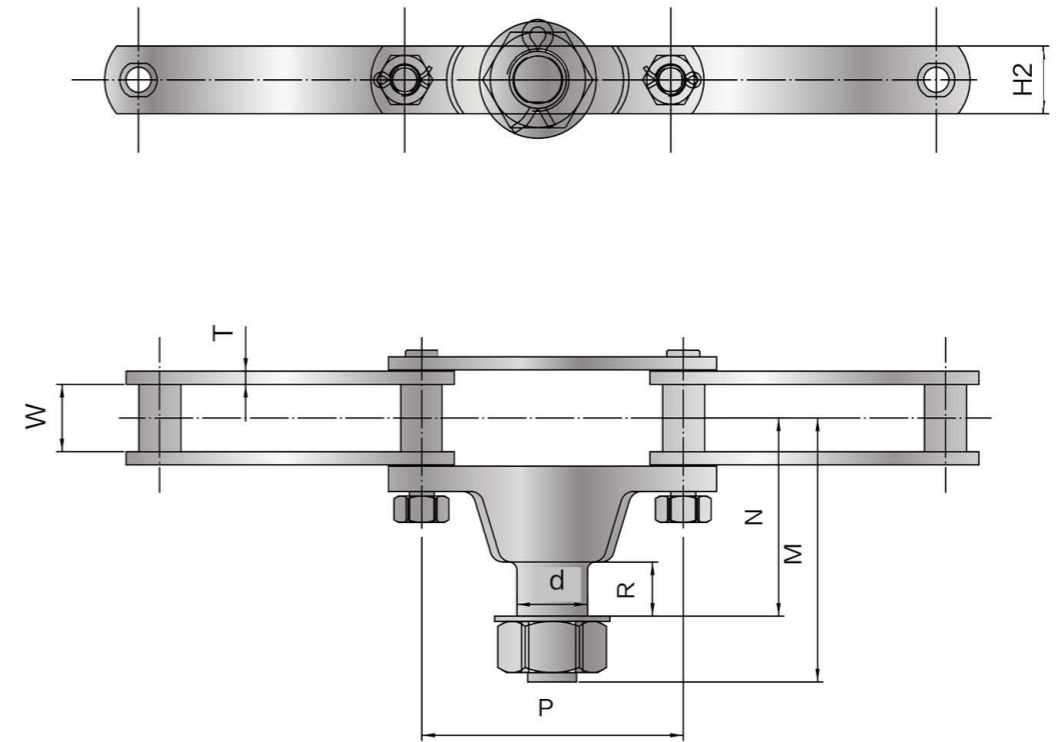
特殊链
Special chain



HSC 不锈钢链附件 D22
HSC stainless steel chain with attachment D22

FULONG Chain No.	Dimension 尺寸					Attachment Weight
	L1	L2	d1	d2	l	附件重量
富龙链号	mm	mm	mm	mm	mm	Kg/Pc
SSHSC15219	32.8	59.0	13.5	M12	44.30	0.12
SSHSC15228	40.0	68.0	15.5	M14	51.10	0.13
SSHSC15235	44.5	74.0	18.0	M16	54.40	0.19

链条材质: 300,400,600 系列不锈钢
Material: 300,400,600 series stainless steel



HSC 不锈钢链附件 T1
HSC stainless steel chain with attachment T1

FULONG Chain No.	Dimension 尺寸				Attachment Weight
	M	N	d	R	附件重量
富龙链号	mm	mm	mm	mm	Kg/Pc
SSHSC15215	108.0	80.0	25.0	30.0	1.20
SSHSC15219	108.0	85.0	30.0	35.0	1.40
SSHSC15228	149.0	122.0	40.0	44.0	2.80
SSHSC15235	151.0	124.0	40.0	44.0	3.40
SSHSC15248	184.0	145.0	50.0	50.0	5.10

链条材质: 300,400,600 系列不锈钢
Material: 300,400,600 series stainless steel

传动链
Driving chain

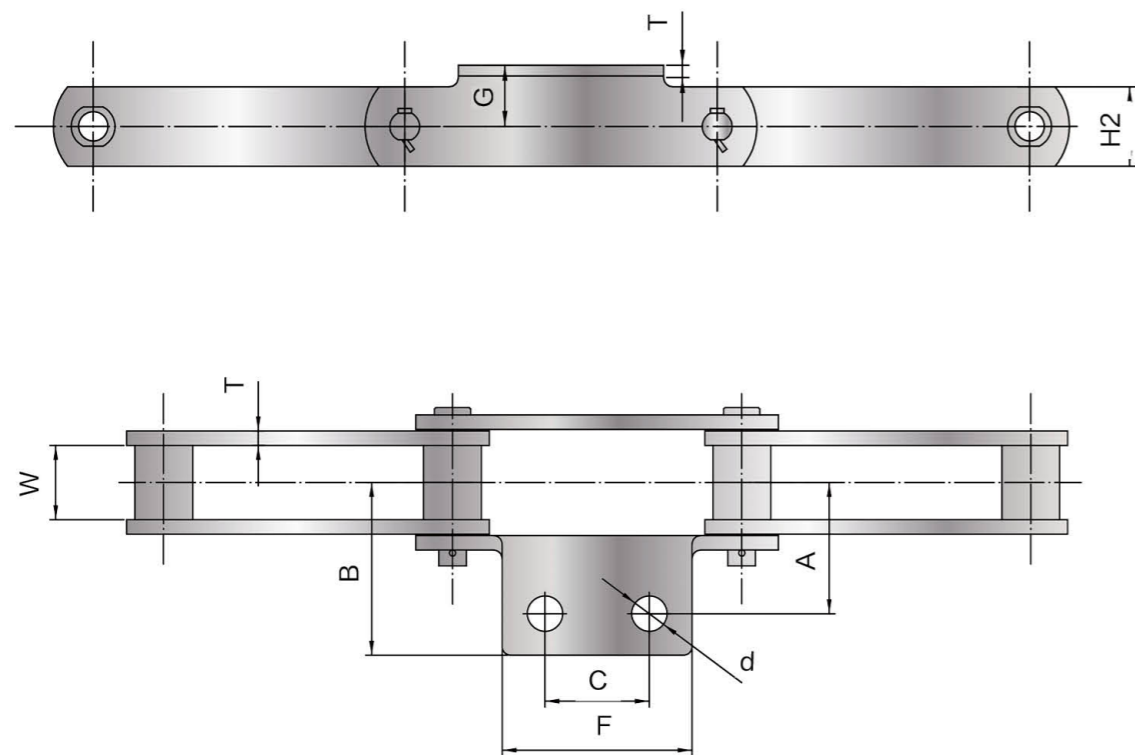
输送链
Conveyor chain

板式链
Leaf chain

农机链
Agricultural chain

焊接链
Welded chain

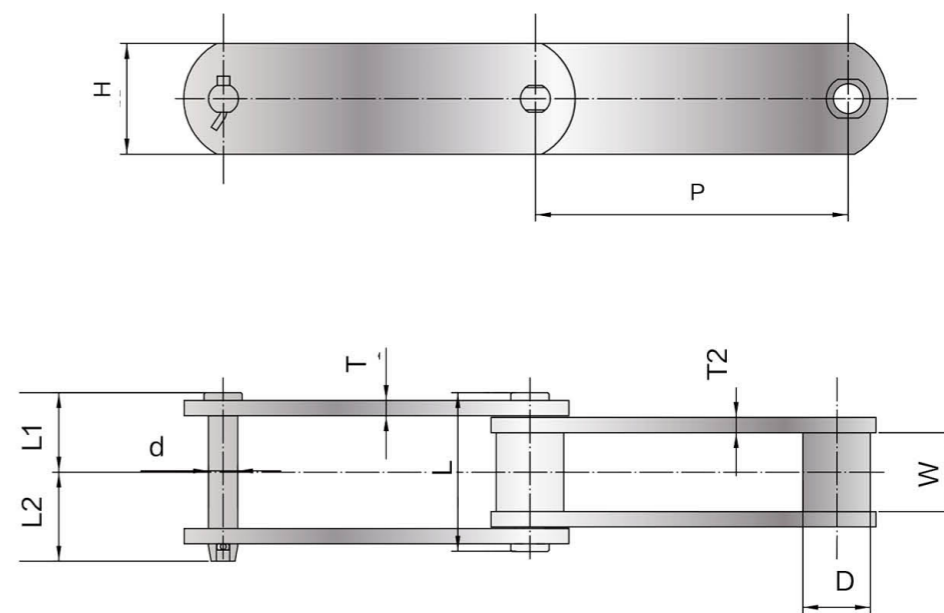
特殊链
Special chain



HSC 不锈钢链附件 A2
HSC stainless steel chain with attachment A2

FULONG Chain No.	Dimension 尺寸							Attachment Weight 附件重量
	A	B	C	F	G	d	T	
富龙链号	mm	mm	mm	mm	mm	mm	mm	Kg/Pc
SSHSC15215	50.0	66.0	60.0	90.0	32.0	14.0	6.3	0.25
SSHSC15219	50.0	66.0	60.0	90.0	32.0	14.0	6.3	0.25
SSHSC15228	60.0	81.0	60.0	100.0	38.0	18.0	7.9	0.40
SSHSC15235	65.0	86.0	60.0	100.0	45.0	18.0	9.5	0.55

链条材质: 300,400,600 系列不锈钢
Material: 300,400,600 series stainless steel



HB 套筒链
HB bush chain

FULONG Chain No.	Pitch 节距	Working Load 工作负载	Average Tensile Strength 平均拉伸载荷	Bush Diameter 套筒直径	Width Between Inner Plates 内节内宽	Round Rivet Pin Length 销轴长度	Pin Diameter 销轴直径	Pin Length 销轴长度		Plate Dimension 链板		Weight Per Meter 每米重量
								L1	L2	H	T/T2	
富龙链号	P	Q	Q0	D	W	L	d	mm	mm	mm	mm	Kg/m
	mm	kn	kn	mm	mm	mm	mm	mm	mm	mm	mm	
SSHB-6608	66.27	5.25	56.00	22.2	27.0	59.0	11.1	29.5	35.0	28.6	6.3	5.6
SSHB-7811	78.11	9.10	98.00	31.8	36.5	77.5	14.3	38.7	46.3	38.1	7.9	10.3
SSHB-10105	101.60	3.50	38.50	18.2	22.2	47.7	9.5	23.9	27.3	25.4	4.8	2.9
SSHB-10316	103.20	15.75	133.00	44.5	44.5	89.5	19.1	44.5	53.0	50.8	7.9	15.1
SSHB-10007	100.00	42.00	52.50	20.0	22.2	48.6	11.1	24.2	29.2	31.8	4.8	3.6
SSHB-10011	100.00	7.35	80.50	25.4	30.0	64.4	14.3	32.2	37.8	38.1	6.3	6.7
SSHB-15011	150.00	7.35	80.50	25.4	30.0	64.4	14.3	32.2	37.8	38.1	6.3	5.7

链条材质: 300,400,600 系列不锈钢
Material: 300,400,600 series stainless steel

传动链
Driving chain

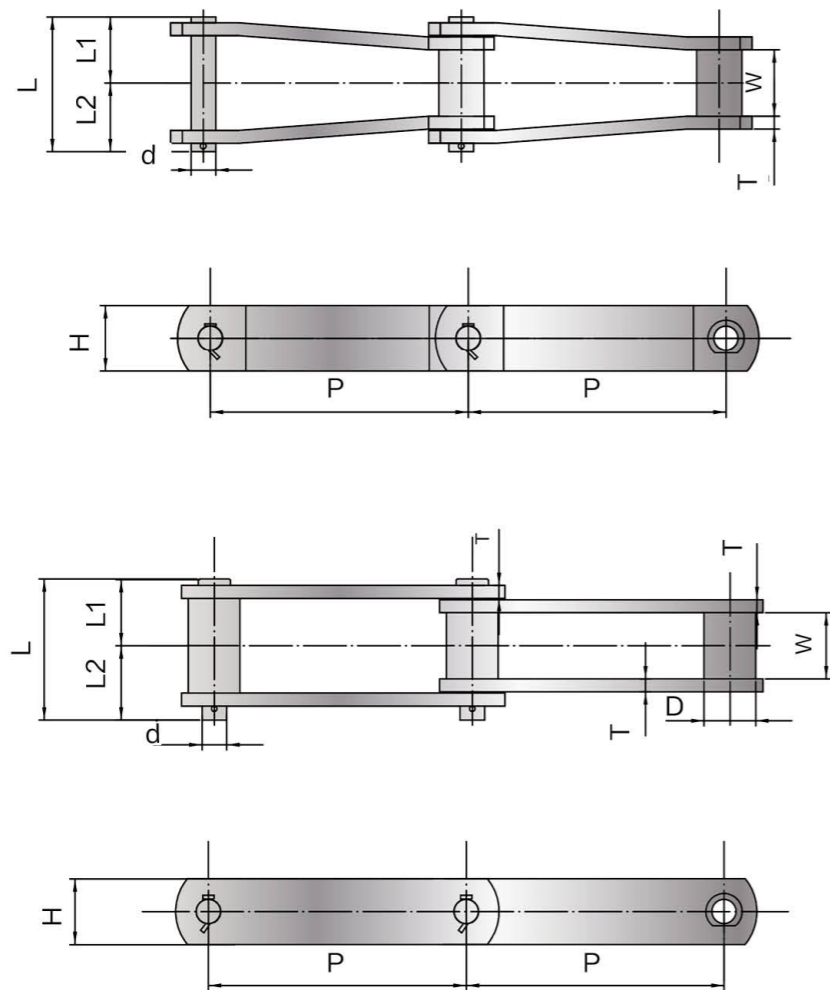
输送链
Conveyor chain

板式链
Leaf chain

农机链
Agricultural chain

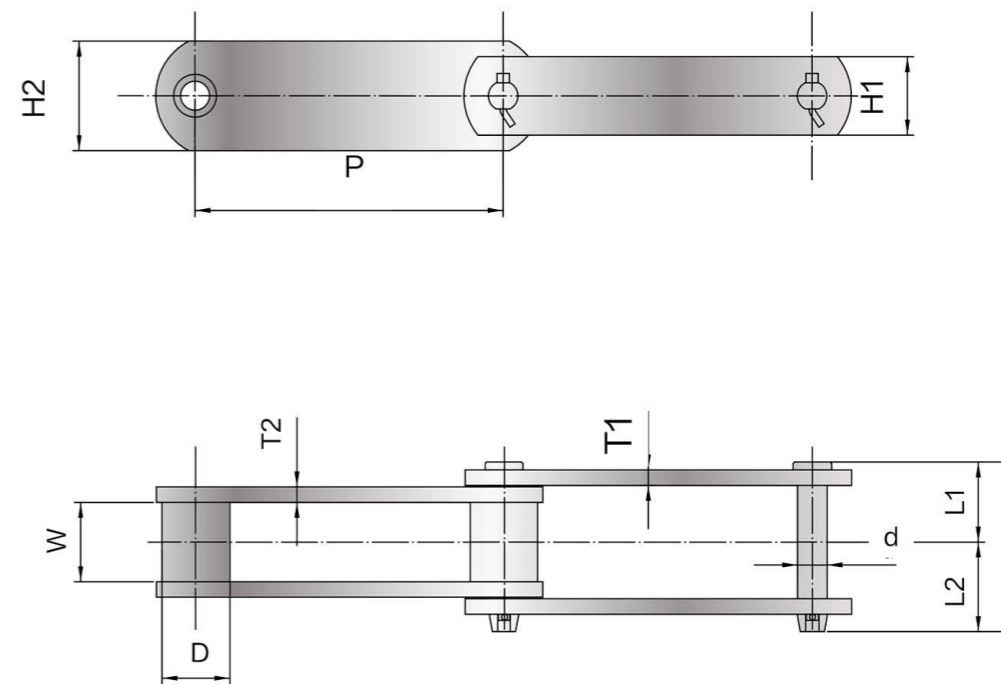
焊接链
Welded chain

特殊链
Special chain



HSS4124&HB78 不锈钢套筒链 (淤泥收集机)
HSS4124&HB78 stainless steel chain(mud collection machine)

FULONG Chain No.	Pitch	Average Tensile Strength	Ultimate Tensile Strength	Weight Per Meter	Bush Diameter	Width Between Inner Plates	Pin Diameter	Pin Length		Plate Dimension	
										高	厚
富龙链号	节距	平均拉伸载荷	极限拉伸载荷	每米重量	套筒直径	内节内宽	销轴直径	销轴长度		H	T
	P mm	KN	KN	Kg/m	D mm	W mm	d mm	L1 mm	L2 mm	mm	mm
SSHSS4124-OL	103.20	133.00	119.70	10.0	43.7	37.0	14.48	35.8	42.8	44.0	6.0
SSHB78	33.27	77.00	69.30	6.0	22.2	28.6	11.17	30.1	36.4	31.8	6.0



HSS4124&HB78 不锈钢套筒链 (淤泥收集机)
HSS4124&HB78 stainless steel chain(mud collection machine)

FULONG Chain No.	Pitch	Average Tensile Strength	Ultimate Tensile Strength	Weight Per Meter	Bush Diameter	Width Between Inner Plates	Pin	Pin Length		Outer Plate		Inner Plate	
										H1	T1	H2	T2
富龙链号	节距	平均拉伸载荷	极限拉伸载荷	每米重量	套筒直径	内节内宽	销轴	销轴长度		外链板		内链板	
	P mm	KN	KN	Kg/m	D mm	W mm	d mm	L1 mm	L2 mm	mm	mm	mm	mm
SSHSS4124-ST	103.20	133.00	119.70	10.0	43.7	37.0	14.5	35.8	42.8	38.0	6.0	44.0	6.0

链条材质: 300,400,600 系列不锈钢
Material: 300,400,600 series stainless steel

传动链
Driving chain

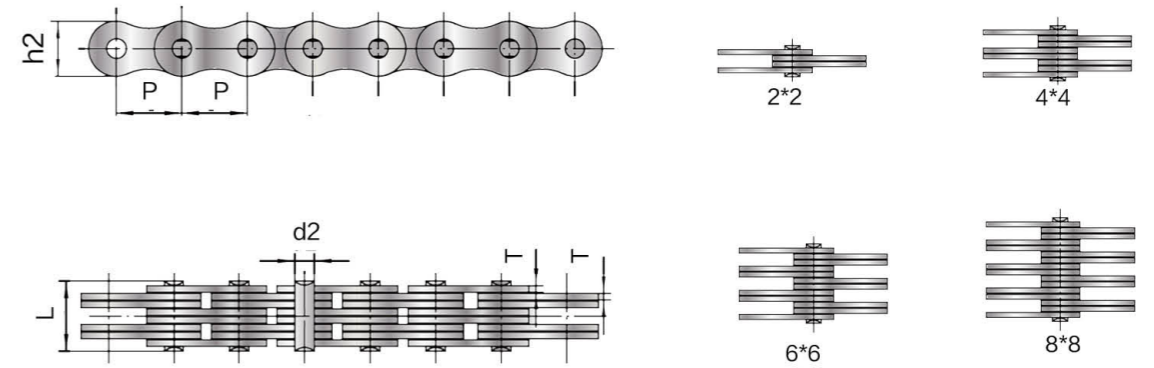
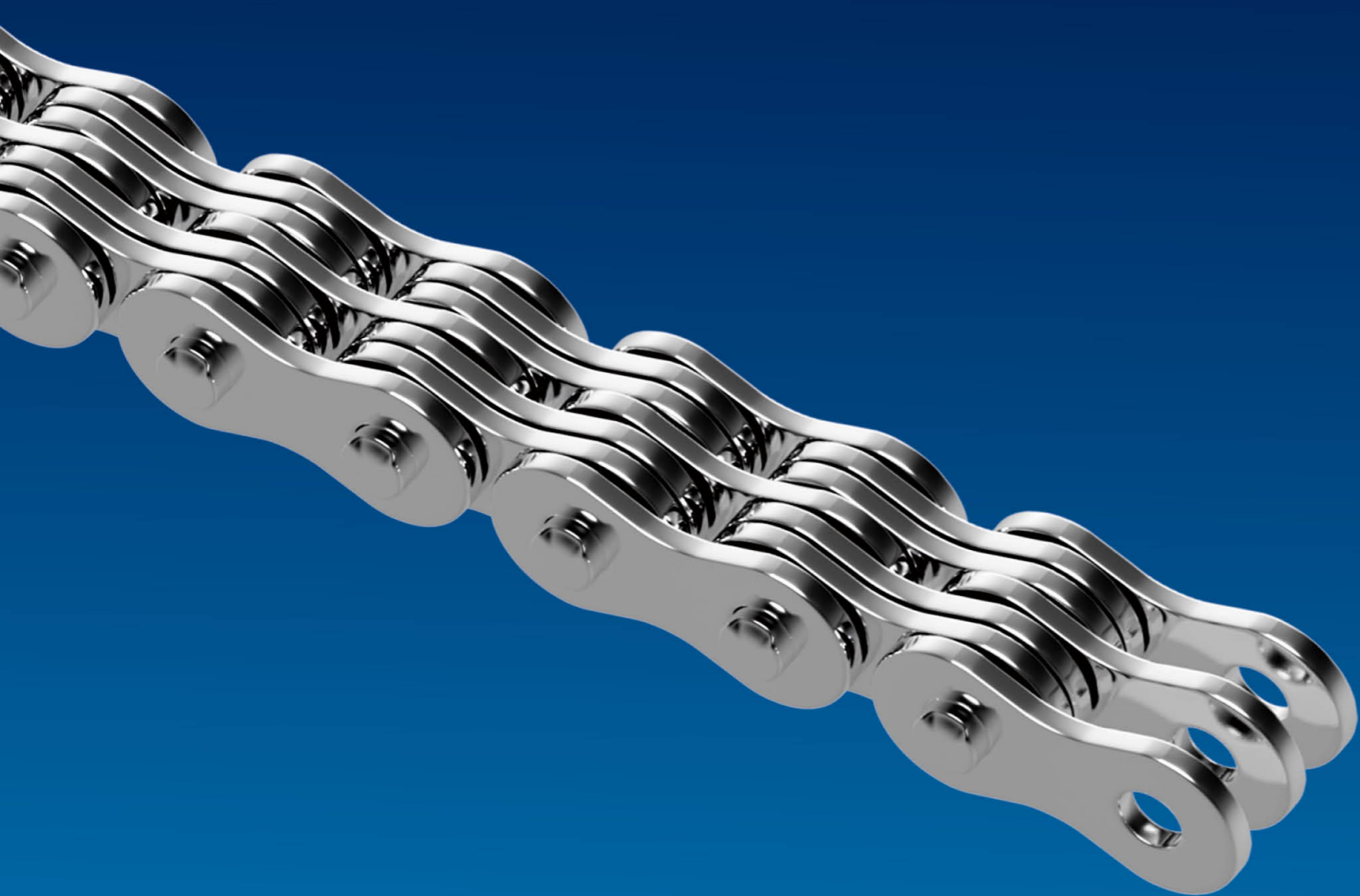
输送链
Conveyor chain

板式链
Leaf chain

农机链
Agricultural chain

焊接链
Welded chain

特殊链
Special chain



AL 系列板式链
Leaf Chain (AL Series)

FULONG Chain No.	Pitch	Plates Lacing	Plate Height	Plate Thickness	Pin Diameter	Pin Length	Ultimate Tensile Strength	Weight Per Meter
富龙链号	节距	链板组合	链板高度	链板厚度	销轴直径	销轴长度	极限拉伸载荷	每米重量
	P		h2	T	d2	L	Q	q
	mm		mm	mm	mm	mm	KN	Kg/m
SSAL422		2 x 2				8.30	9.87	0.39
SSAL444	12.700	4 x 4	10.40	1.50	3.96	14.40	19.74	0.74
SSAL466		6 x 6				20.50	29.61	1.13
SSAL522	15.875	2 x 2	12.80	2.03	5.08	11.05	15.40	0.64
SSAL544		4 x 4				19.40	30.80	1.25
SSAL566		6 x 6				27.50	46.20	1.79
SSAL622		2 x 2				13.00	25.90	0.86
SSAL644	19.050	4 x 4	15.60	2.42	5.94	22.70	44.80	1.76
SSAL666		6 x 6				32.40	70.70	2.60
SSAL822	25.400	2 x 2	20.80	3.25	7.92	16.00	39.70	1.54
SSAL844		4 x 4				29.40	79.40	3.00
SSAL866		6 x 6				44.20	119.00	4.46

链条材质: 300,400,600 系列不锈钢
Material: 300,400,600 series stainless steel

板式链

LEAF CHAIN

传动链
Driving chain

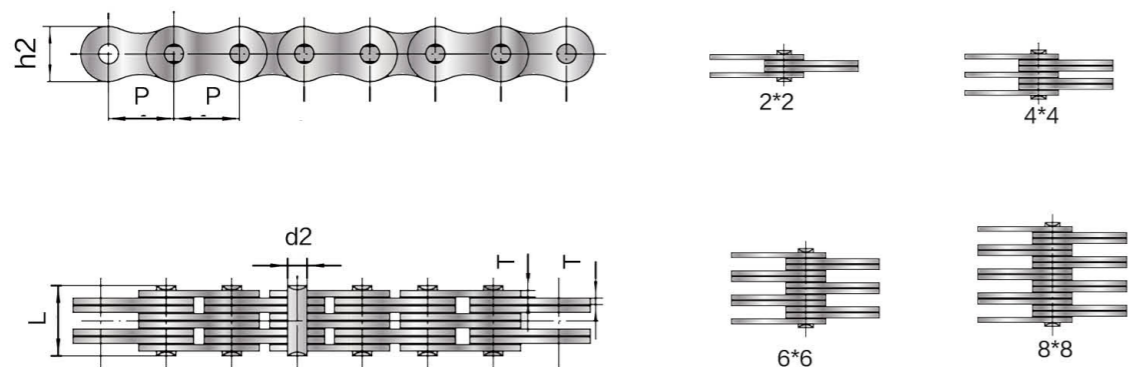
输送链
Conveyor chain

板式链
Leaf chain

农机链
Agricultural chain

焊接链
Welded chain

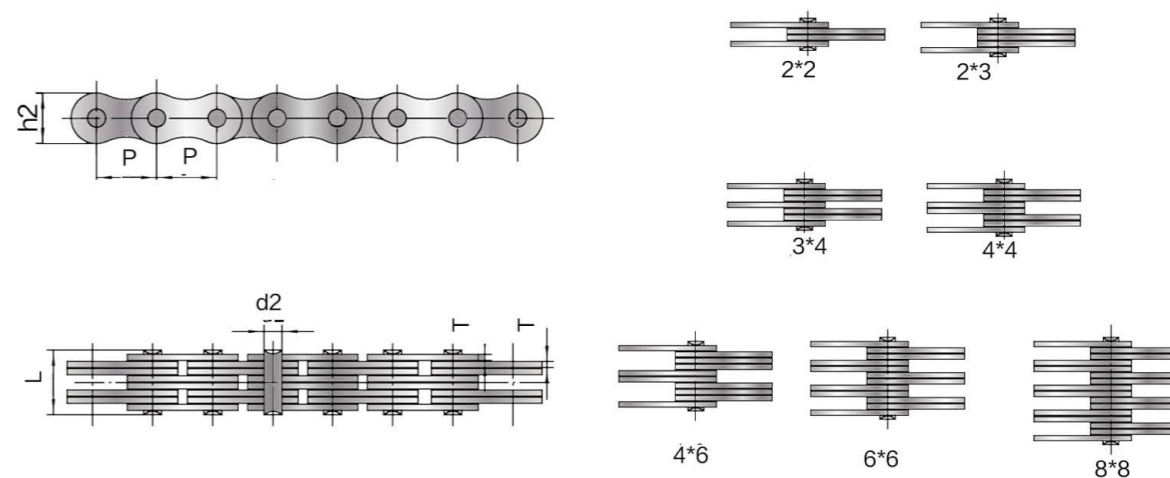
特殊链
Special chain



AL 系列板式链
Leaf Chain (AL Series)

FULONG Chain No.	Pitch	Plates Lacing	Plate Height	Plate Thickness	Pin Diameter	Pin Length	Ultimate Tensile Strength	Weight Per Meter
富龙链号	节距	链板组合	链板高度	链板厚度	销轴直径	销轴长度	极限拉伸载荷	每米重量
	P		h2	T	d2	L	Q	q
	mm		max	mm	max	max	min	KN
			mm	mm	mm	mm	KN	Kg/m
SSAL1022		2 x 2				19.60	57.53	2.37
SSAL1044	31.750	4 x 4	25.60	4.00	9.53	36.40	115.05	4.68
SSAL1066		6 x 6				52.30	172.25	7.20
SSAL1222		2 x 2				24.30	82.55	3.65
SSAL1244	38.100	4 x 4	30.50	4.80	11.10	43.80	165.10	7.05
SSAL1266		6 x 6				63.00	247.65	10.50
SSAL1422		2 x 2				28.07	98.30	4.79
SSAL1444	44.450	4 x 4	36.40	5.60	12.64	51.30	242.26	10.34
SSAL1466		6 x 6				74.56	391.30	15.16
SSAL1622		4 x 4				58.06	267.75	12.98
SSAL1644	50.800	6 x 6	41.60	6.40	14.21	83.80	401.66	19.76
SSAL1666		8 x 8				109.50	535.50	25.47

链条材质: 300,400,600 系列不锈钢
Material: 300,400,600 series stainless steel



BL 系列板式链
Leaf Chain (BL Series)

FULONG Chain No.	Pitch	Plates Lacing	Plate Height	Plate Thickness	Pin Diameter	Pin Length	Ultimate Tensile Strength	Weight Per Meter
富龙链号	节距	链板组合	链板高度	链板厚度	销轴直径	销轴长度	极限拉伸载荷	每米重量
	P		h2	T	d2	L	Q	q
	mm		max	mm	max	max	min	KN
			mm	mm	mm	mm	KN	Kg/m
SSLH0822		2x2				11.05	15.540	0.64
SSLH0823		2x3				13.16	15.540	0.80
SSLH0834		3x4				17.40	23.380	1.12
SSLH0844	12.70	4x4	12.07	2.08	5.090	19.51	31.150	1.28
SSLH0846		4x6				23.75	31.150	1.60
SSLH0866		6x6				27.99	46.690	1.92
SSLH8888		8x8				36.45	62.300	2.56
SSLH1022		2x2				12.90	23.380	0.88
SSLH1023		2x3				15.37	23.380	1.10
SSLH1034		3x4				20.32	34.230	1.50
SSLH1044	15.875	4x4	15.09	2.44	5.960	22.78	46.690	1.80
SSLH1046		4x6				27.74	46.690	2.20
SSLH1066		6x6				32.69	70.000	2.65
SSLH1088		8x8				42.57	93.380	3.50

链条材质: 300,400,600 系列不锈钢
Material: 300,400,600 series stainless steel

传动链
Driving chain

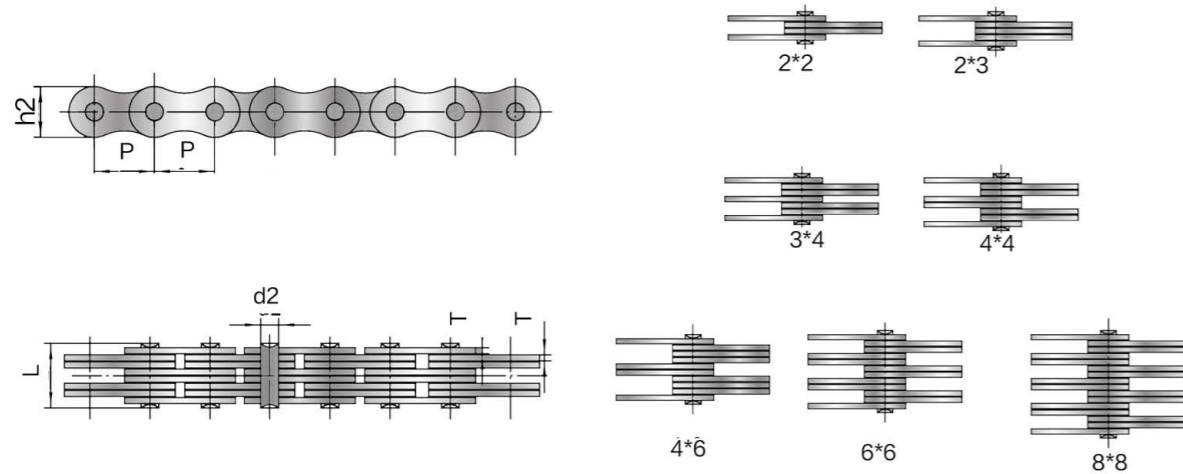
输送链
Conveyor chain

板式链
Leaf chain

农机链
Agricultural chain

焊接链
Welded chain

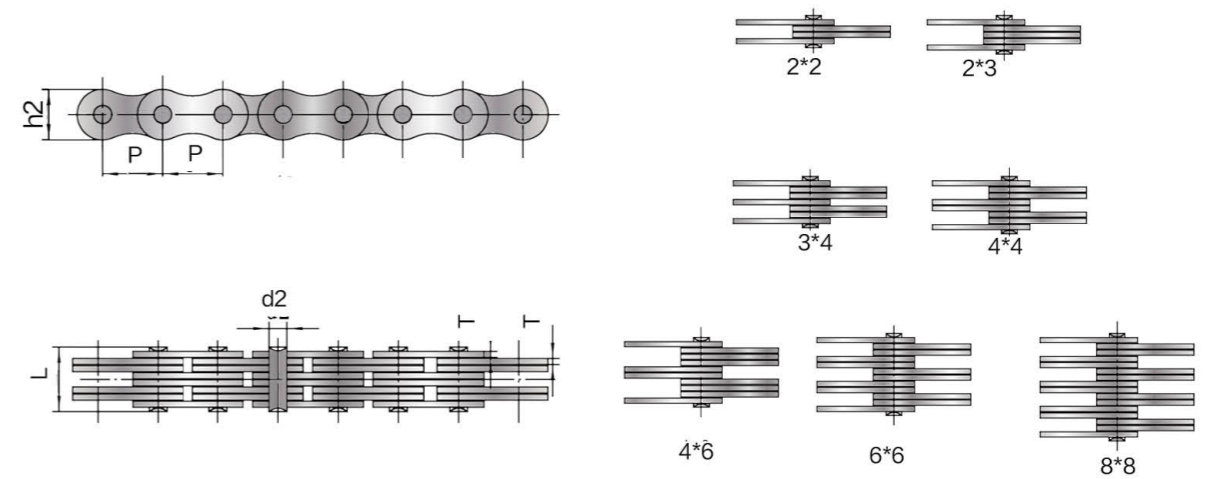
特殊链
Special chain



BL 系列板式链
Leaf Chain (BL Series)

FULONG Chain No.	Pitch	Plates Lacing	Plate Height	Plate Thickness	Pin Diameter	Pin Length	Ultimate Tensile Strength	Weight Per Merer	
									富龙链号
	P		h2	T	d2	L	Q	q	
	mm		max	mm	max	max	min	KN	Kg/m
SSLH1222	SSBL622	2x2				17.37	34.230	1.45	
SSLH1223	SSBL623	2x3				20.730	34.230	1.80	
SSLH1234	SSBL634	3x4				27.43	52.920	2.50	
SSLH1244	SSBL644	4x4	19.05	18.11	3.30	7.940	30.78	68.530	2.90
SSLH1246	SSBL646	4x6				37.49	68.530	3.60	
SSLH1266	SSBL666	6x6				44.20	102.760	4.30	
SSLH1288	SSBL688	8x8				57.61	136.950	5.80	
SSLH1622	SSBL822	2x2	25.40	24.13	4.09	9.540	21.34	59.150	2.20
SSLH1623	SSBL823	2x3					25.48	59.15	2.70
SSLH1634	SSBL834	3x4					33.76	90.300	3.80
SSLH1644	SSBL844	4x4					37.90	118.300	4.30
SSLH1646	SSBL846	4x6					46.18	118.300	5.40
SSLH1666	SSBL866	6x6					54.46	177.520	6.50
SSLH1688	SSBL888	8x8					71.02	236.670	8.60

链条材质: 300,400,600 系列不锈钢
Material: 300,400,600 series stainless steel



BL 系列板式链
Leaf Chain (BL Series)

FULONG Chain No.	Pitch	Plates Lacing	Plate Height	Plate Thickness	Pin Diameter	Pin Length	Ultimate Tensile Strength	Weight Per Merer	
									富龙链号
	P		h2	T	d2	L	Q	q	
	mm		max	mm	max	max	min	KN	Kg/m
SSLH2022	SSBL1022	2x2				25.37	75.140	3.40	
SSLH2023	SSBL1023	2x3				30.33	75.140	4.30	
SSLH2034	SSBL1034	3x4				40.23	118.560	6.00	
SSLH2044	SSBL1044	4x4	31.75	30.18	4.9	11.11	45.19	150.350	6.90
SSLH2046	SSBL1046	4x6				55.09	150.350	8.60	
SSLH2066	SSBL1066	6x6				65.00	225.750	10.30	
SSLH2088	SSBL1088	8x8				84.81	300.690	13.80	
SSLH2422	SSBL1222	2x2	38.10	36.20	5.77	12.71	29.62	98.280	4.60
SSLH2423	SSBL1223	2x3					35.43	98.280	5.80
SSLH2434	SSBL1234	3x4					47.07	158.950	8.10
SSLH2444	SSBL1244	4x4					52.88	196.620	9.30
SSLH2446	SSBL1246	4x6					64.52	196.620	11.60
SSLH2466	SSBL1266	6x6					76.15	294.910	13.90
SSLH2488	SSBL1288	8x8					99.42	393.250	18.60

链条材质: 300,400,600 系列不锈钢
Material: 300,400,600 series stainless steel

传动链
Driving chain

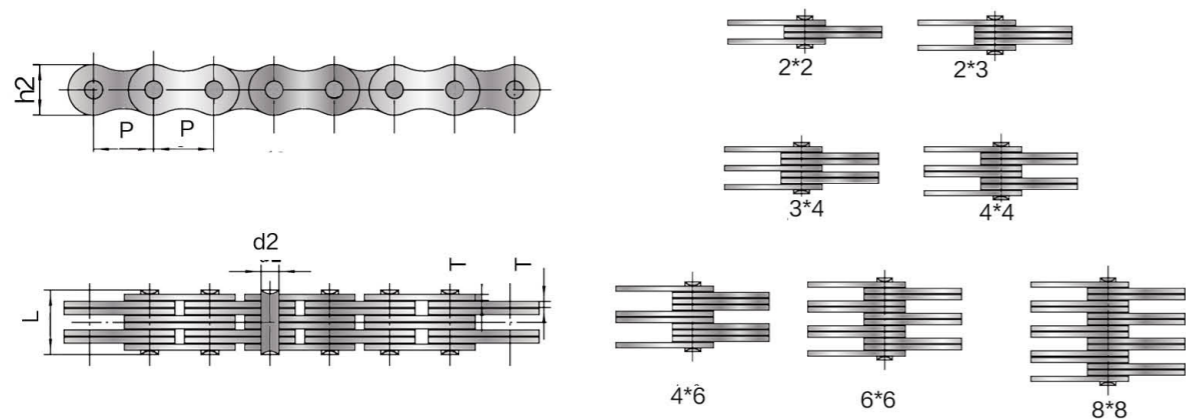
输送链
Conveyor chain

板式链
Leaf chain

农机链
Agricultural chain

焊接链
Welded chain

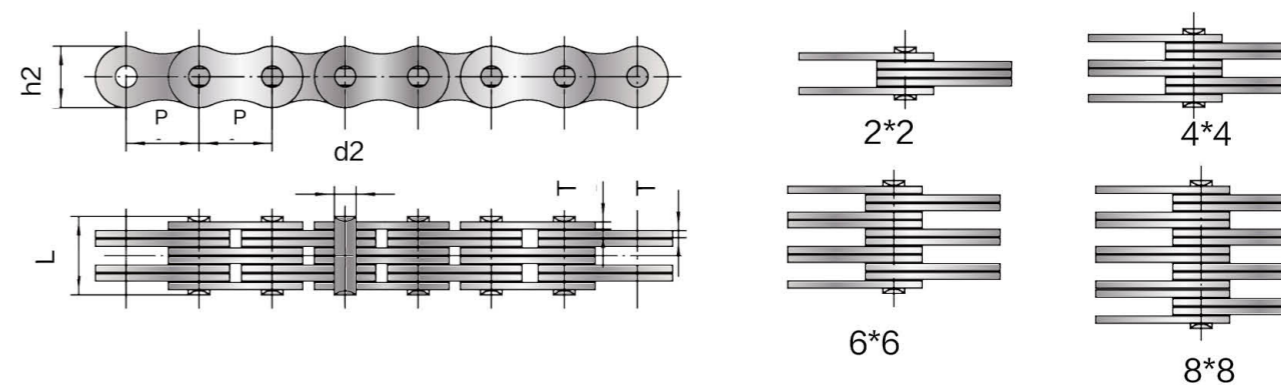
特殊链
Special chain



BL 系列板式链
Leaf Chain (BL Series)

FULONG Chain No.	Pitch	Plates Lacing	Plate Height	Plate Thickness	Pin Diameter	Pin Length	Ultimate Tensile Strength	Weight Per Merer
富龙链号	节距	链板组合	链板高度	链板厚度	销轴直径	销轴长度	极限拉伸载荷	每米重量
	P		h2	T	d2	L	Q	q
	mm		max	mm	mm	mm	mm	KN
SSLH2846	SSBL1422	4x6				73.18	229.520	15.20
SSLH2866	SSBL1423	6x6				86.39	346.970	18.20
SSLH2888	SSBL1434	8x8				112.8	459.090	24.30
SSLH3222	SSBL1444	2x2	48.26	7.52	17.46	39.01	173.490	8.00
SSLH3223	SSBL1446	2x3				46.58	173.49	10.00
SSLH3234	SSBL1466	3x4				61.72	264.260	14.00
SSLH3244	SSBL1488	4x4				69.29	344.280	16.00
SSLH3246	SSBL1622	4x6				84.43	344.280	20.00
SSLH3266	SSBL1623	6x6				99.57	514.460	24.00
SSLH3288	SSBL1634	8x8				129.84	693.940	32.00
SSLH4022	SSBL1644	2x2	60.33	9.91	23.81	51.74	238.540	15.80
SSLH4023	SSBL1646	2x3				61.70	357.190	19.80
SSLH4034	SSBL1666	3x4				81.61	357.190	27.70
SSLH4044	SSBL1688	4x4				91.57	477.090	31.60
SSLH4046	SSBL2022	4x6				111.48	477.090	39.50
SSLH4066	SSBL2023	6x6				131.39	715.630	47.40
SSLH4088	SSBL2034	8x8				171.22	954.070	63.20

链条材质: 300,400,600 系列不锈钢
Material: 300,400,600 series stainless steel



LL 系列板式链
Leaf Chain (LL Series)

FULONG Chain No.	Pitch	Plates Lacing	Plate Height	Plate Thickness	Pin Diameter	Pin Length	Ultimate Tensile Strength	Weight Per Merer
富龙链号	节距	链板组合	链板高度	链板厚度	销轴直径	销轴长度	极限拉伸载荷	每米重量
	P		h2	T	d2	L	Q	q
	mm		max	mm	mm	mm	mm	KN
SSLL0822		2 x 2				8.90	12.74	0.42
SSLL0844	12.700	4 x 4	10.60	1.30	4.45	15.60	25.48	0.84
SSLL0866		6 x 6				22.00	38.22	1.24
SSLL1022		2 x 2				9.20	15.89	0.54
SSLL1044	15.875	4 x 4	13.70	1.60	5.08	15.80	31.78	1.06
SSLL1066		6 x 6				22.10	47.67	1.57
SSLL1222		2 x 2				10.40	20.65	0.73
SSLL1244	19.050	4 x 4	16.00	1.85	5.72	17.90	41.30	1.44
SSLL1266		6 x 6				25.40	61.95	2.15
SSLL1622		2 x 2				17.20	40.60	1.52
SSLL1644	25.400	4 x 4	21.00	3.10	8.28	29.60	81.20	2.90
SSLL1666		6 x 6				42.40	121.80	4.30
SSLL2022		2 x 2				20.10	61.75	2.33
SSLL2044	31.750	4 x 4	26.40	3.50	10.19	33.80	123.50	4.40
SSLL2066		6 x 6				50.10	185.25	6.79
SSLL2422		2 x 2				28.40	110.50	4.47
SSLL2444	38.100	4 x 4	33.40	5.00	14.63	46.30	221.00	8.22
SSLL2466		6 x 6				66.40	331.50	12.22
SSLL2822		2 x 2				32.20	120.00	5.10
SSLL2844	44.450	4 x 4	37.08	6.00	15.90	56.40	240.00	9.90
SSLL2866		6 x 6				80.80	360.00	14.60
SSLL3222		2 x 2				34.80	156.00	6.20
SSLL3244	50.800	4 x 4	42.00	6.40	17.81	60.63	312.00	12.30
SSLL3266		6 x 6				86.40	468.00	18.30
SSLL4022		2 x 2				42.20	198.00	10.30
SSLL4044	63.500	4 x 4	52.76	8.00	22.89	74.40	429.00	20.00
SSLL4066		6 x 6				106.50	594.00	30.00
SSLL4822		2 x 2				54.60	308.00	18.50
SSLL4844	76.200	4 x 4	63.88	10.00	29.24	92.60	616.00	35.70
SSLL4866		6 x 6				133.40	924.00	53.00

链条材质: 300,400,600 系列不锈钢
Material: 300,400,600 series stainless steel

传动链
Driving chain

输送带
Conveyor chain

板式链
Leaf chain

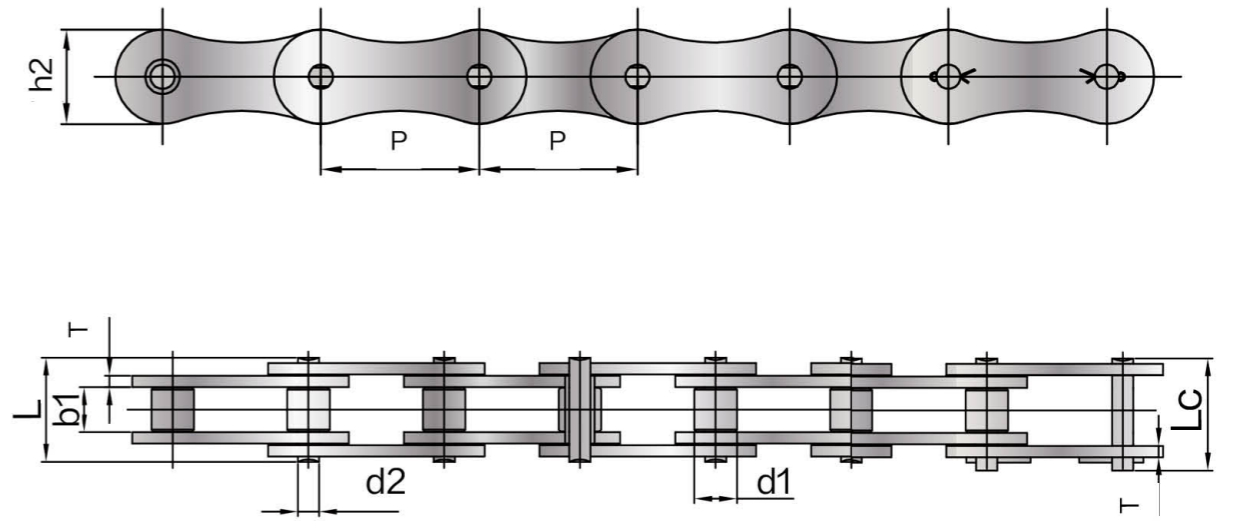
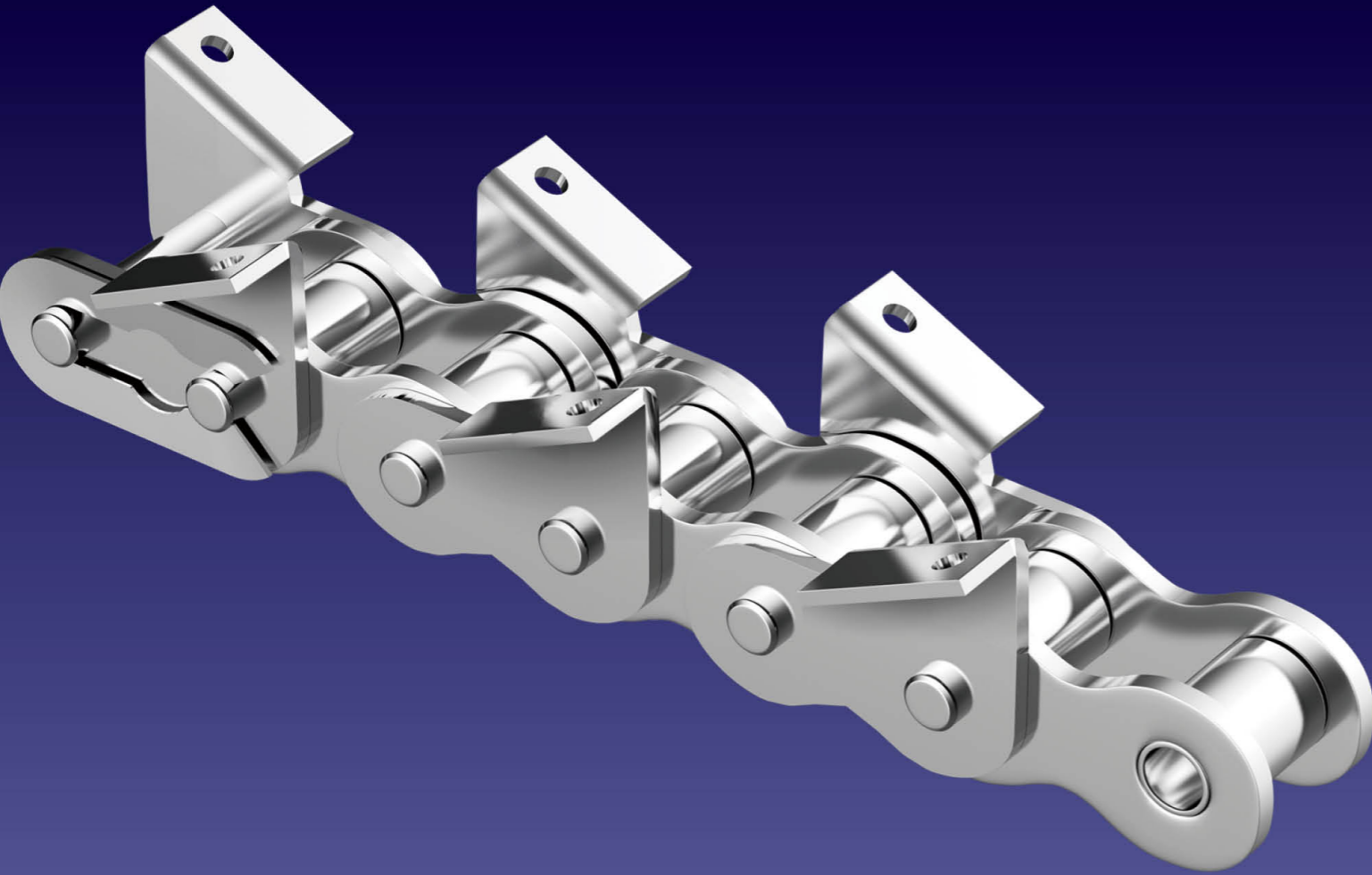
农机链
Agricultural chain

焊接链
Welded chain

特殊链
Special chain

农机链

AGRICULTURAL CHAIN



A 型农机链
A type agricultural chain

FULONG Chain No.	Pitch	Roller Diameter	Width Between Inner Plates	Pin Diameter	Pin Length		Plate Dimensions		Ultimate Tensile Strength	Weight Per Meter
富龙链号	节距	滚子直径	内节内宽	销轴直径	销轴长度		链板尺寸		极限拉伸载荷	每米重量
	P	d1	b1	d2	L	Lc	h2	T	Q	q
		max	max	max	max	max	max	max	min	
	mm	mm	mm	mm	mm	mm	mm	mm	KN	Kg/m
SSA550	41.400	16.87	19.81	7.19	35.00	38.00	19.30	2.80	27.37	1.79
SSA555	41.400	16.87	12.70	7.19	29.10	32.00	19.30	3.10	27.37	1.60
SSA557	41.400	17.78	20.24	8.00	37.40	40.60	23.10	3.10	38.93	2.45
SSA620	42.010	17.91	24.51	7.19	41.80	45.20	20.20	3.25	27.37	2.18

链条材质: 300,400,600 系列不锈钢
Material: 300,400,600 series stainless steel

传动链
Driving chain

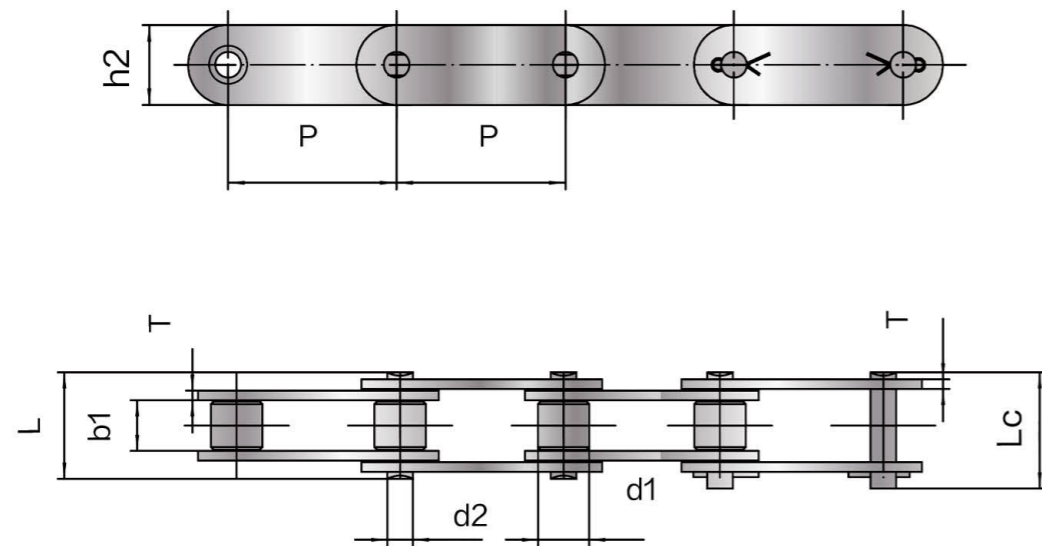
输送链
Conveyor chain

板式链
Leaf chain

农机链
Agricultural chain

焊接链
Welded chain

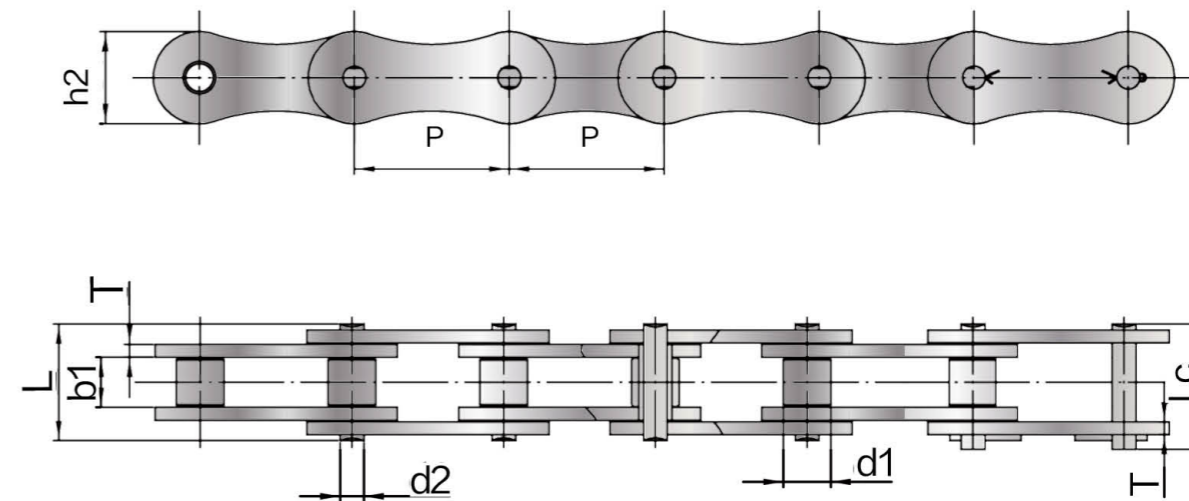
特殊链
Special chain



CA 型农机链
CA type agricultural chain

FULONG Chain No.	Pitch	Roller Diameter	Width Between Inner Plates	Pin Diameter	Pin Length		Plate Dimension		Ultimate Tensile Strength	Weight Per Meter
富龙链号	节距	滚子直径	内节内宽	销轴直径	销轴长度		链板尺寸		极限拉伸载荷	每米重量
	P	d1	b1	d2	L	Lc	h2	T	Q	q
	mm	mm	mm	mm	mm	mm	mm	mm	KN	Kg/m
SSCA550	41.400	16.87	19.81	7.19	35.00	38.00	19.30	2.80	27.37	1.94
SSCA550V	41.400	16.80	19.05	8.28	36.10	39.10	22.00	3.00	38.50	2.24
SSCA555	41.400	16.87	12.70	7.19	29.10	32.00	19.30	3.10	27.37	1.72
SSCA557	41.400	17.78	20.24	8.00	37.40	40.60	23.10	3.10	38.93	2.60
SSCA620	42.010	17.91	24.51	7.19	41.80	45.20	20.20	3.25	27.37	2.35
SSCA2060H	38.100	11.91	12.70	5.94	29.20	31.60	18.00	3.25	21.77	1.45
SSCA550F4	41.400	14.35	20.24	7.14	35.00	38.50	19.05	2.80	35.00	1.76
SSCA550F5	41.400	16.66	20.24	7.14	35.00	38.50	19.05	2.80	31.50	1.97
SS38.4R	38.400	15.88	19.05	6.92	33.80	36.40	17.30	2.50	23.10	1.70
SS38.4V	38.400	15.88	18.00	6.92	35.00	38.00	17.30	3.00	28.00	1.83
SS38.4VB	38.400	15.88	19.05	8.28	36.10	39.40	20.50	3.00	35.00	2.17
SS55VD	41.400	17.90	23.00	8.22	39.30	42.40	20.00	2.80	29.40	2.34
SSS62F3	41.910	19.05	25.40	8.00	42.00	44.60	26.00	3.00	32.90	3.12

链条材质: 300,400,600 系列不锈钢
Material: 300,400,600 series stainless steel



S 型农机链
S type agricultural chain

FULONG Chain No.	Pitch	Roller Diameter	Width Between Inner Plates	Pin Diameter	Pin Length		Inner Plate Height	Plate Thickness	Ultimate Tensile Strength	Weight Per Meter
富龙链号	节距	滚子直径	内节内宽	销轴直径	销轴长度		内链板高度	链板厚度	极限拉伸载荷	每米重量
	P	d1	b1	d2	L	Lc	h2	T	Q	q
	mm	mm	mm	mm	mm	mm	mm	mm	KN	Kg/m
SSS32	29.21	11.43	15.88	4.45	26.7	28.8	13.2	1.8	5.60	0.86
SSS42	34.93	14.27	19.05	7.00	34.3	37.0	19.8	2.8	18.90	1.60
SSS45	41.40	15.24	22.23	5.72	37.7	40.4	17.3	2.8	12.60	1.66
SSS52	38.10	15.24	22.23	5.72	37.7	40.4	17.3	2.8	12.60	1.68
SS55V	41.40	17.90	22.23	8.22	39.3	42.4	20.0	3.0	29.40	2.22
SS55VF1	41.40	17.90	22.23	8.22	39.3	42.4	21.4	3.0	31.50	2.32
SSS55	41.40	17.78	22.23	5.72	37.7	40.4	17.3	2.8	12.60	1.80
SSS55R	41.40	17.78	22.23	8.90	41.0	44.0	22.4	3.5	31.50	2.49
SSS55RH	41.40	17.78	22.23	8.90	43.2	46.4	22.4	4.0	45.50	2.74
SSS62	41.91	19.05	26.20	5.72	40.3	43.0	17.3	2.5	18.69	1.87
SSS77	58.34	18.26	22.23	8.90	43.2	46.4	26.2	4.0	31.50	2.66

链条材质: 300,400,600 系列不锈钢
Material: 300,400,600 series stainless steel

传动链
Driving chain

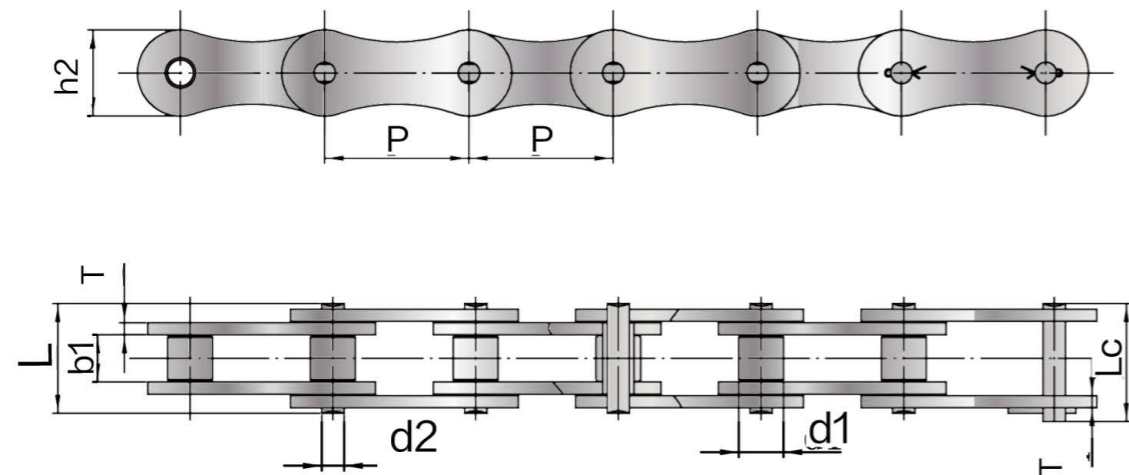
输送带
Conveyor chain

板式链
Leaf chain

农机链
Agricultural chain

焊接链
Welded chain

特殊链
Special chain

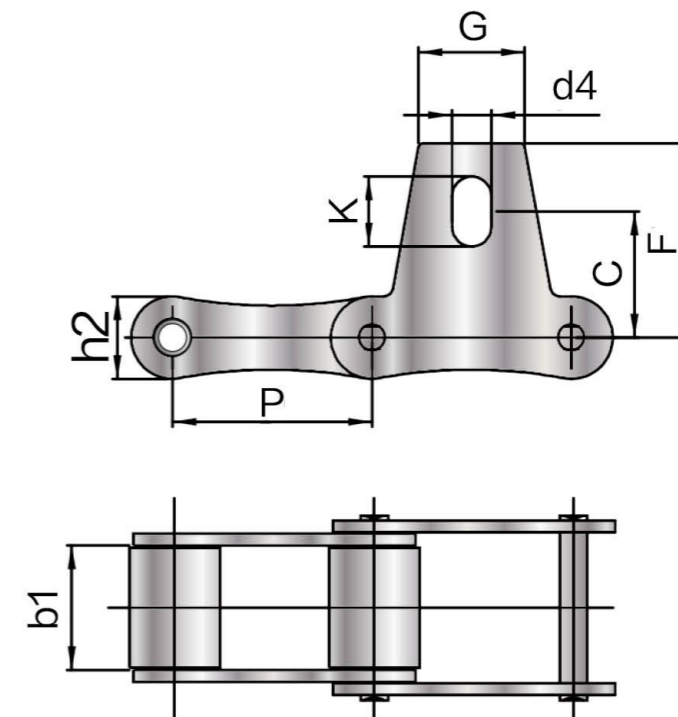


S 型农机链
S type agricultural chain

FULONG Chain No.	Pitch	Roller Diameter	Width Between Inner Plates	Pin Diameter	Pin Length		Inner Plate Height	Plate Thickness	Ultimate Tensile Strength	Weight Per Meter
富龙链号	节距	滚子直径	内节内宽	销轴直径	销轴长度		内链板高度	链板厚度	极限拉伸载荷	每米重量
	P	d1	b1	d2	L	Lc	h2	T	Q	q.
	mm	mm	mm	mm	mm	mm	mm	mm	KN	Kg/m
SSS88	66.27	22.86	28.58	8.90	49.8	53.0	26.2	4.0	31.50	3.25
SSCA642	41.40	15.88	19.00	8.28	36.1	39.1	21.2	3.0	35.00	1.98
SSCA650	50.80	25.00	18.90	9.53	40.4	44.7	25.0	4.0	63.00	3.49
SSCA650F2	50.80	20.00	18.90	9.53	40.40	44.7	25.0	4.0	63.00	2.98
SSS42F2	34.93	14.27	19.05	7.00	34.30	37.0	19.8	2.5/3.0	18.90	1.82
SSS52F10	38.10	14.00	22.00	6.92	36.50	39.1	18.2	2.5	16.45	1.60
SSS62F10	41.91	19.05	25.40	5.72	39.40	42.2	17.3	2.5	18.69	2.04
SSS62F8	41.91	19.05	27.90	10.00	44.90	49.3	25.0	3.0	31.50	2.96
SSCA650F4	50.80	19.05	19.05	5.93	40.40	44.7	25.0	4.0	63.00	2.85
SSCA620F4	42.01	19.05	27.90	10.19	44.90	46.5	25.0	3.0	31.50	2.95

链条材质: 300,400,600 系列不锈钢
Material: 300,400,600 series stainless steel

SK1



S 型带附件农机链
S type agricultural chain with attachment

FULONG Chain No.	P	b1	h2	G	C	F	d4	K
富龙链号	mm	mm	mm	mm	mm	mm	mm	mm
SSS32SK1	29.21	15.88	13.2	1.8	17.3	26.2	5.3	6.9
SSS42SK1	34.93	19.05	19.8	2.8	23.6	34.3	8.3	11.5
SSS45SK1	41.40	22.23	17.3	2.8	19.8	30.2	8.3	11.5
SSS52SK1	38.10	22.23	17.3	2.8	22.1	31.8	8.3	9.9
SSS55SK1	41.40	22.23	17.3	2.8	19.8	30.2	8.3	11.5
SSS62SK1	41.91	26.2	17.3	2.5	24.6	38.6	8.3	14.7
SSS77SK1	58.34	22.23	26.2	4.0	36.3	50.0	8.3	11.5
SSS88SK1	66.27	28.58	26.2	4.0	43.7	55.6	8.3	9.9
SSS32SK1F1	29.21	15.88	13.20	1.80	16.70	25.68	6.50	8.10
SSS55RHSK1	41.40	22.23	22.40	4.00	19.80	30.20	8.30	11.50

链条材质: 300,400,600 系列不锈钢
Material: 300,400,600 series stainless steel

传动链
Driving chain

输送带
Conveyor chain

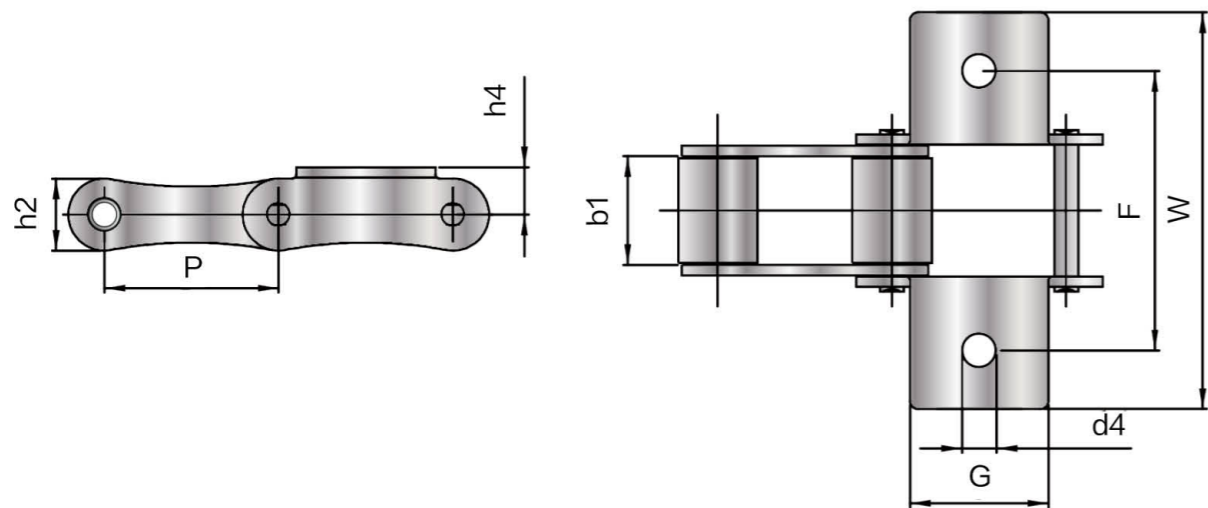
板式链
Leaf chain

农机链
Agricultural chain

焊接链
Welded chain

特殊链
Special chain

K1



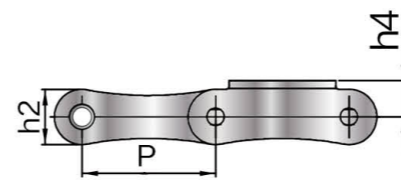
S型带附件农机链

S type agricultural chain with attachment

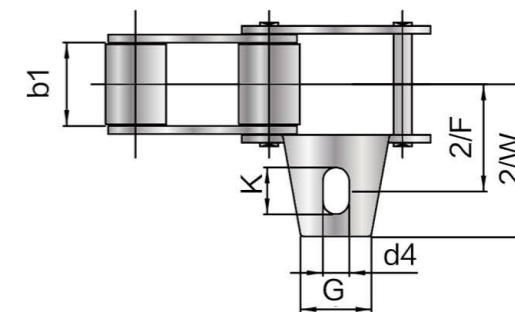
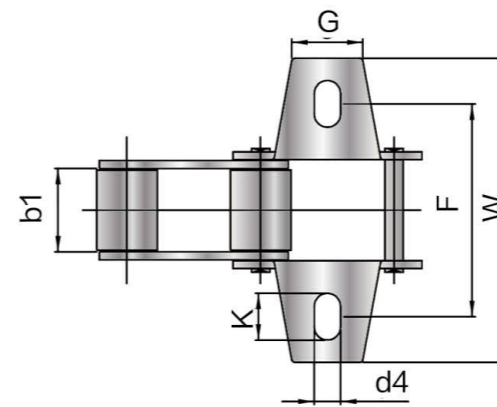
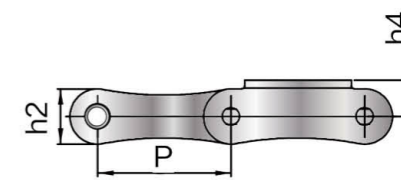
FULONG Chain No.	P	b1	G	F	W	h4	d4	h2
富龙链号	mm	mm	mm	mm	mm	mm	mm	mm
SSS52LK1	38.10	16.40	26.00	50.00	74.00	14.00	9.00	16.50
SS55VK1	41.40	22.23	30.00	58.00	76.00	16.00	9.00	20.00
SSS42F2K1F1	34.93	19.05	45.00	54.80	75.20	14.00	8.30	19.80
SSS52LF1K1	38.10	16.00	26.00	50.00	74.00	16.00	9.00	16.50

链条材质: 300,400,600 系列不锈钢
Material: 300,400,600 series stainless steel

K1



A1



S型带附件农机链

S type agricultural chain with attachment

FULONG Chain No.	P	b1	G	F	W	h4	d4	K	h2
富龙链号	mm	mm	mm	mm	mm	mm	mm	mm	mm
SSS32K1	29.21	15.88	15.0	42.9	61.0	8.6	5.3	6.9	13.2
SSS32K1F1	29.21	15.88	15.0	42.9	61.0	8.6	6.5	8.1	13.2
SSS42K1	34.93	19.05	17.5	54.0	74.9	14.0	8.3	11.5	19.8
SSS45K1	41.40	22.23	22.0	54.0	75.0	11.4	8.5	11.7	17.3
SSS51K1	38.10	16.00	19.0	49.8	71.5	11.4	8.3	9.9	17.3
SSS52K1	38.10	22.23	19.0	58.8	78.0	11.4	8.3	9.9	17.3
SSS52K1F1	38.10	22.23	19.0	58.8	78.0	11.4	6.6	8.2	17.3
SSS55K1	41.40	22.23	22.0	54.0	75.0	11.4	8.5	11.7	17.3
SSS55K1F1	41.40	22.23	22.0	54.0	75.0	11.4	6.5	9.5	17.3
SSS55HK1	41.40	22.23	34.0	52.7	82.0	13.4	8.4	11.4	20.4
SSS62K1	41.91	26.20	22.0	66.8	95.4	11.4	8.3	14.7	17.3
SSS62A2K1	41.91	26.20	22.0	66.7	95.5	12.6	8.3	14.7	17.3
SSS62F2K1	41.91	26.20	22.0	66.8	95.4	11.4	6.5	13.0	17.3
SSS62F5A2K1	41.91	26.20	22.0	66.7	95.5	12.6	8.3	14.7	16.7
SSS77K1	58.34	22.23	25.0	76.2	102.0	20.8	8.3	11.5	26.2
SSS88K1	66.27	28.58	22.0	97.0	119.4	20.8	8.3	9.9	26.2

链条材质: 300,400,600 系列不锈钢
Material: 300,400,600 series stainless steel

传动链
Driving chain

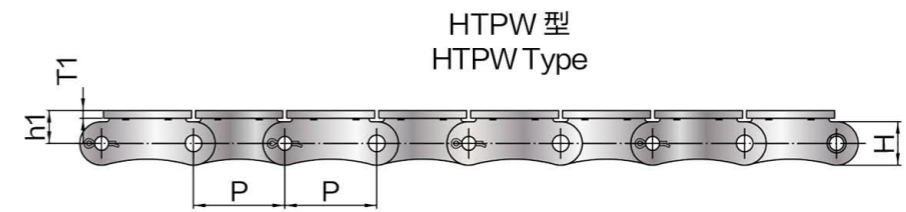
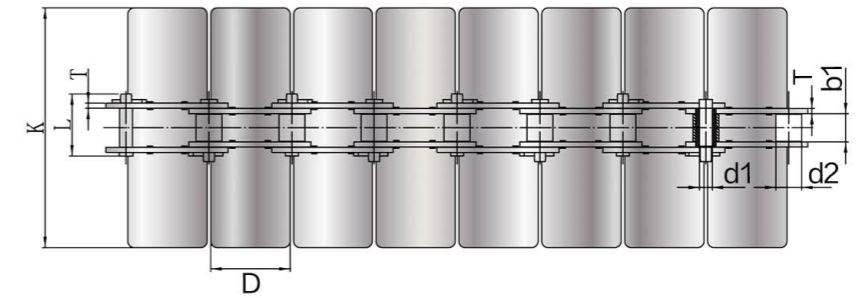
输送链
Conveyor chain

板式链
Leaf chain

农机链
Agricultural chain

焊接链
Welded chain

特殊链
Special chain



HTPW 型
HTPW Type

焊接顶板链
Welded flat top chain

FULONG Chain No.	Pitch	Pin length	Pin Diameter	Roller Diameter	Plate Thickness	Top Plate Length	Top Plate Thickness	Width Between Inner Plates	Plate Height	Distance Between Top Plate and Chain Center
富龙链号	P	L	d1	d2	T	D	T1	b1	H	h1
	mm	mm	mm	mm	mm	mm	mm	mm	mm	mm

SSTPW P38.1	38.10	28.10	5.94	11.91	2.40	36.50	3.20	12.57	18.08	13.60
-------------	-------	-------	------	-------	------	-------	------	-------	-------	-------

Top Plate Width 顶板宽度																	
K																	
mm	mm	mm	mm	mm	mm	mm	mm	mm	mm	mm	mm	mm	mm	mm	mm	mm	
36.0	55.0	63.5	69.9	76.2	82.6	88.9	95.0	95.3	101.6	114.3	120.7	125.6	127.0	152.4	155.6	165.1	190.5

链条材质: 300,400,600 系列不锈钢
Material: 300,400,600 series stainless steel

传动链
Driving chain

输送链
Conveyor chain

板式链
Leaf chain

农机链
Agricultural chain

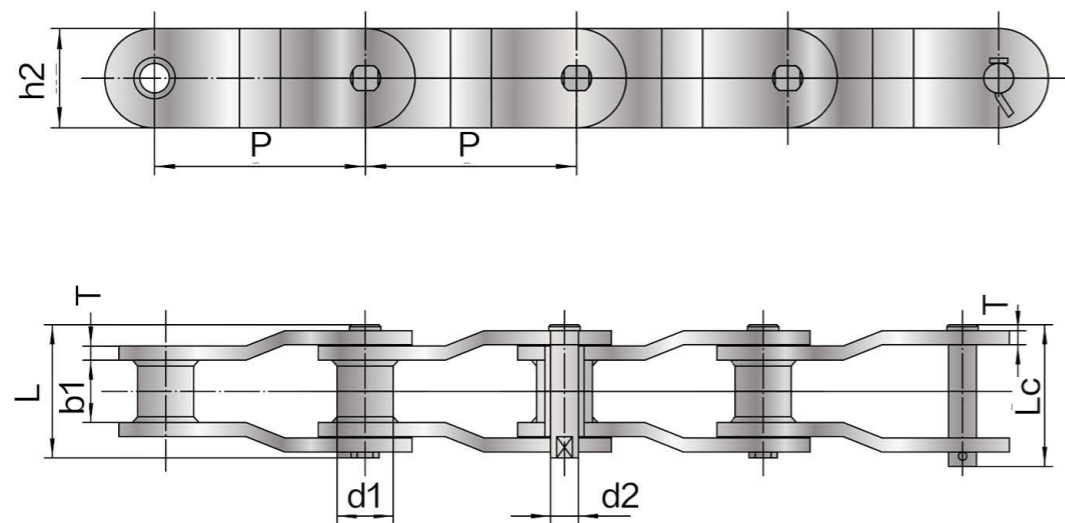
焊接链
Welded chain

特殊链
Special chain



焊接链

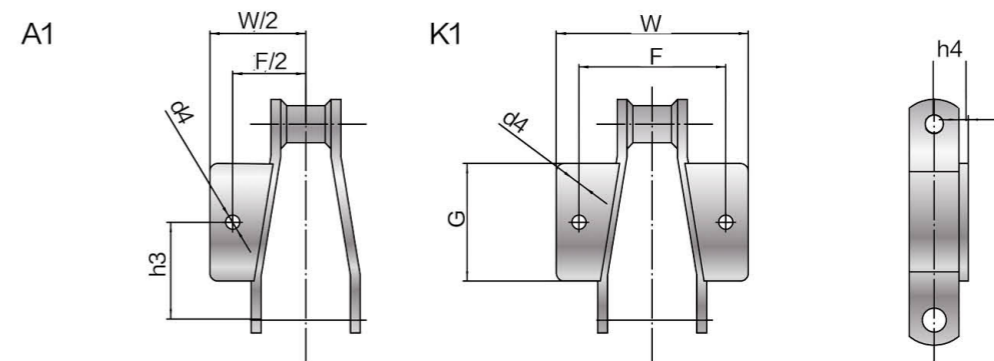
WELDED CHAIN



焊接弯板链
Welded offset chain

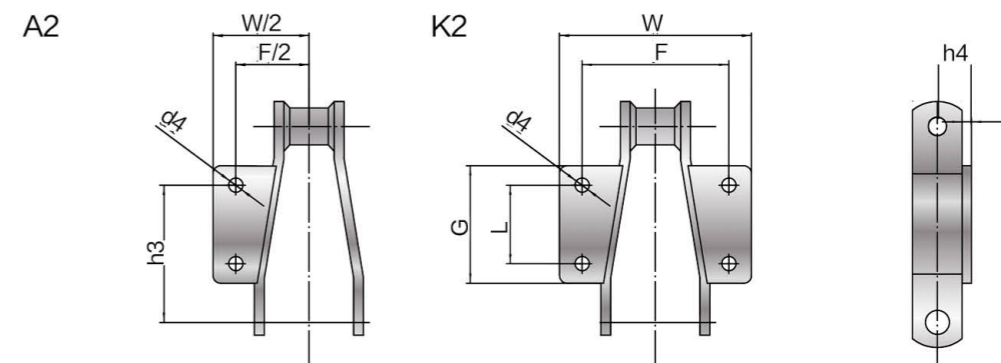
FULONG Chain No.	Pitch	Roller Diameter	Width Between Inner Plates	Pin Diameter	Pin Length		Inner Plate Height	Plate Thickness	Ultimate Tensile Strength	Weight Per Meter
富龙链号	节距	滚子直径	内节内宽	销轴直径	销轴长度		内链板高度	链板厚度	极限拉伸载荷	每米重量
	P	d1	b1	d2	L	Lc	h2	T	Q	q
	mm	mm	mm	mm	mm	mm	mm	mm	KN	Kg/m
SSWR78	66.27	22.9	28.4	12.78	73.0	79.3	28.4	6.4	65.38	6.20
SSWR82	78.10	31.5	31.8	14.35	80.0	86.0	31.8	6.4	70.07	7.98
SSWR106	152.40	37.1	41.2	19.13	103.0	111.0	38.1	9.7	118.30	10.56
SSWR110	152.40	32.0	46.7	19.13	107.7	115.5	38.1	9.7	118.30	10.40
SSWR111	120.90	37.1	57.2	19.13	116.8	124.5	38.1	9.7	118.30	12.72
SSWR124	101.60	37.1	41.2	19.13	103.0	110.0	38.1	9.7	118.30	12.38
SSWR124H	103.2	41.7	41.2	22.30	131.6	133.0	50.8	12.7	193.06	19.68
SSWR132	153.67	44.7	76.2	25.48	151.0	162.2	50.8	12.7	193.06	20.00
SSWR150	153.67	44.45	73.0	25.40	151.0	162.2	63.5	12.7	434.00	20.50
SSWR155	153.67	44.45	73.0	28.57	164.0	176.0	63.5	12.7	574.00	20.70
SSWR157	153.67	44.45	76.2	28.57	164.0	176.0	63.5	15.9	574.00	20.80

链条材质: 300,400,600 系列不锈钢
Material: 300,400,600 series stainless steel



带附件焊接弯板链
Welded offset chain with attachment

FULONG Chain No.	h3	G	F	W	h4	d4	T
富龙链号	mm	mm	mm	mm	mm	mm	mm
SSWR78	31.80	36.60	101.60	130.00	22.40	9.70	6.40
SSWR82	38.10	46.00	106.70	142.70	23.90	9.70	6.40



FULONG Chain No.	h3	G	F	W	h4	d4	T	L
富龙链号	mm	mm	mm	mm	mm	mm	mm	mm
SSWR78	38.90	52.30	101.60	130.00	22.40	9.70	6.40	28.400
SSWR82	52.30	62.00	108.20	142.70	23.90	9.70	6.40	33.300
SSWR110	98.60	84.1	135.1	168.1	30	9.7	9.4	44.4
SSWR124H	73.20	90.80	133.60	165.60	39.60	12.70	12.70	49.300
SSWR132	106.20	80.80	190.50	234.70	39.60	12.70	12.70	69.800

链条材质: 300,400,600 系列不锈钢
Material: 300,400,600 series stainless steel

传动链
Driving chain

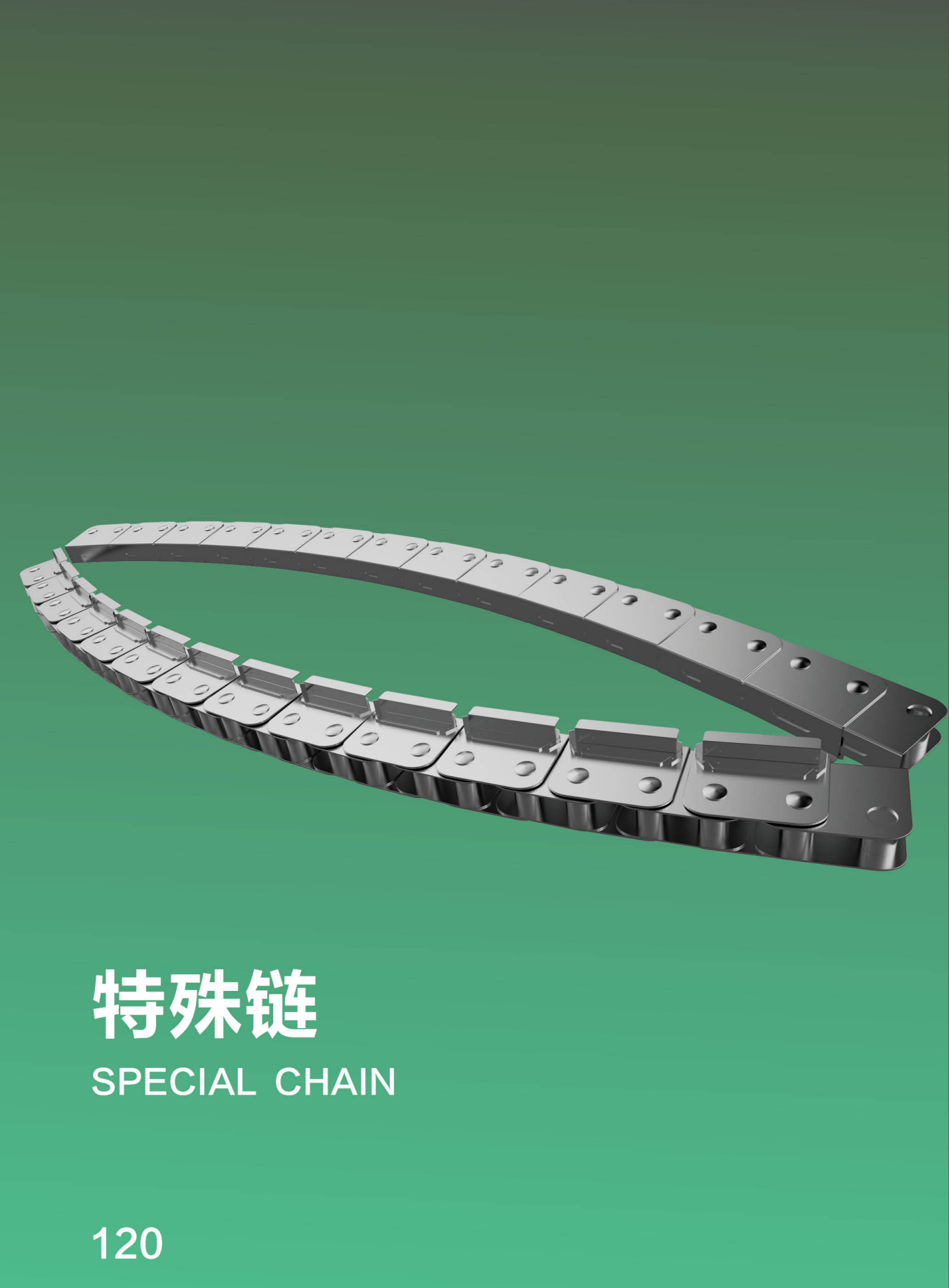
输送带
Conveyor chain

板式链
Leaf chain

农机链
Agricultural chain

焊接链
Welded chain

特殊链
Special chain



特殊链

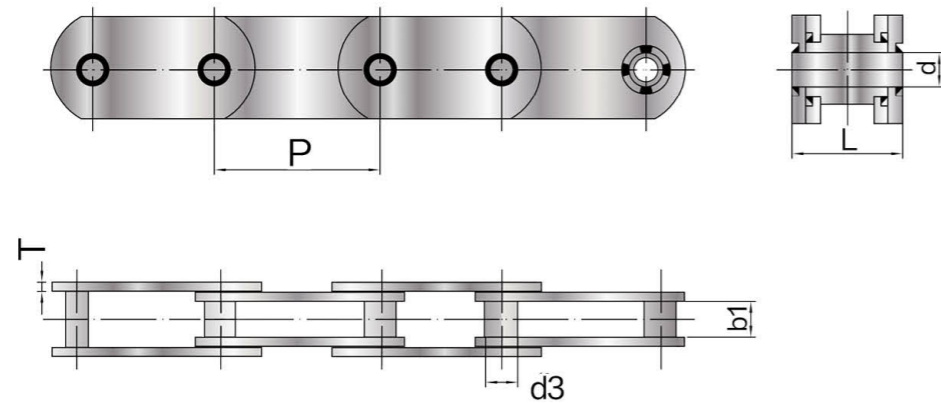
SPECIAL CHAIN



01

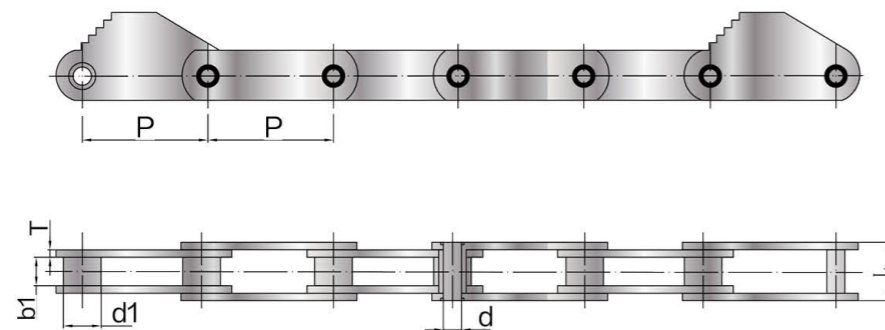
冶金行业用链条

Metallurgy Chain



水槽链条 - 圆盘浇筑机
Water slot chain

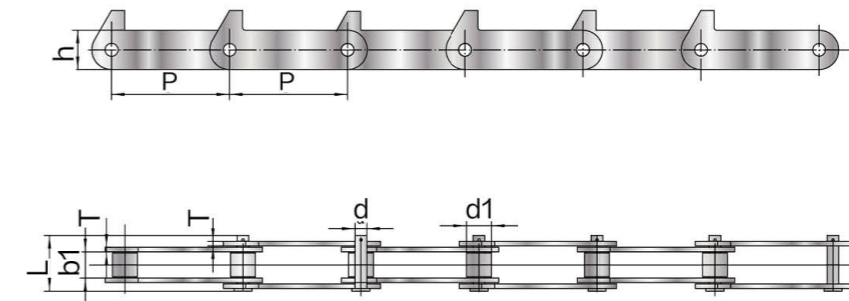
FULONG Chain No.	Pitch	Pin Length	Pin Diameter	Bush Diameter	Plate Thickness	Width Between Inner Plates
富龙链号	节距	销轴长度	销轴直径	套筒直径	链板厚度	内节内宽
	P	L	d	d3	T	b1
	mm	mm	mm	mm	mm	mm
SSP125	125.00	67.00	16.90	34.00	10.00	25.00



提升运输机链条
Lift chain

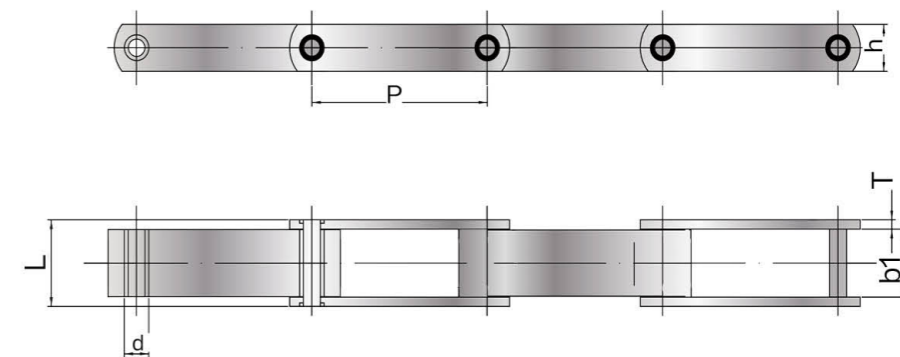
FULONG Chain No.	Pitch	Pin Length	Pin Diameter	Plate Thickness	Roller Diameter	Width Between Inner Plates
富龙链号	节距	销轴长度	销轴直径	链板厚度	滚子直径	内节内宽
	P	L	d	T	d1	b1
	mm	mm	mm	mm	mm	mm
SSLP100	100.00	48.30	14.50	6.00	30.00	22.60

链条材质: 300,400,600 系列不锈钢
Material: 300,400,600 series stainless steel



阳极接受运输链
Anode scrap conveyor chain

FULONG Chain No.	Pitch	Pin Length	Pin Diameter	Roller Diameter	Plate Thickness	Plate Height	Width Between Inner Plates
富龙链号	节距	销轴长度	销轴直径	滚子直径	链板厚度	链板高度	内节内宽
	P	L	d	d1	T	h	b1
	mm	mm	mm	mm	mm	mm	mm
SSP100B	100.00	51.60	10.00	21.00	5.00	41.00	33.60



废板链条
Waste material conveyor chain

FULONG Chain No.	Pitch	Pin Length	Bush Diameter	Plate Thickness	Plate Height	Width Between Inner Plates
富龙链号	节距	销轴长度	套筒直径	链板厚度	链板高度	内节内宽
	P	L	d	T	h	b1
	mm	mm	mm	mm	mm	mm
SSWM100	100.00	35.50	18.00	7.00	50.00	21.50

链条材质: 300,400,600 系列不锈钢
Material: 300,400,600 series stainless steel

传动链
Driving chain

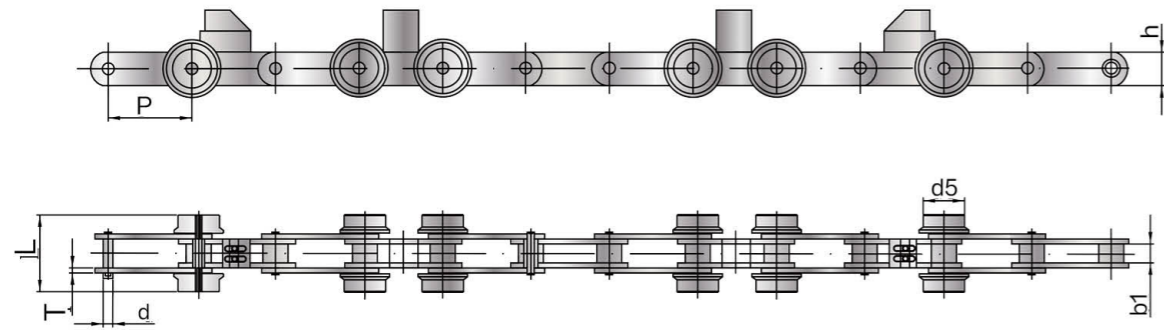
输送带链
Conveyor chain

板式链
Leaf chain

农机链
Agricultural chain

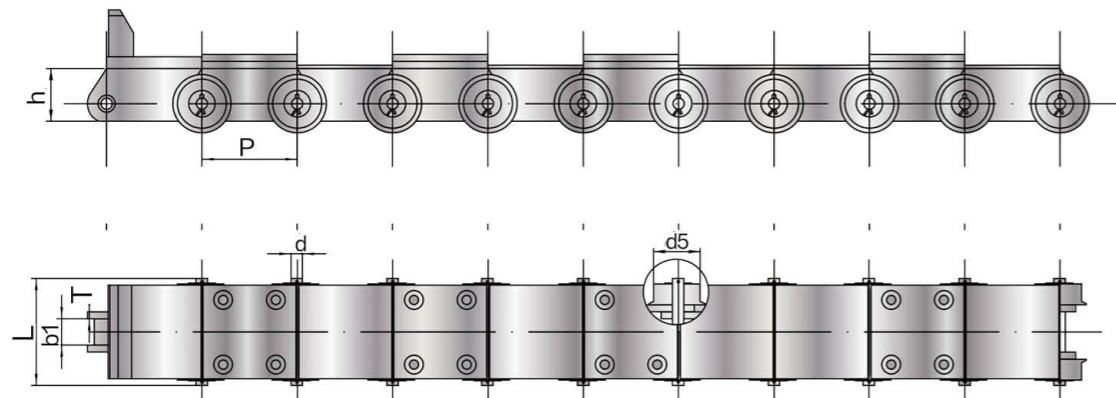
焊接链
Welded chain

特殊链
Special chain



横送输送机链条 - 阳极机组
Electrolysis anode chain

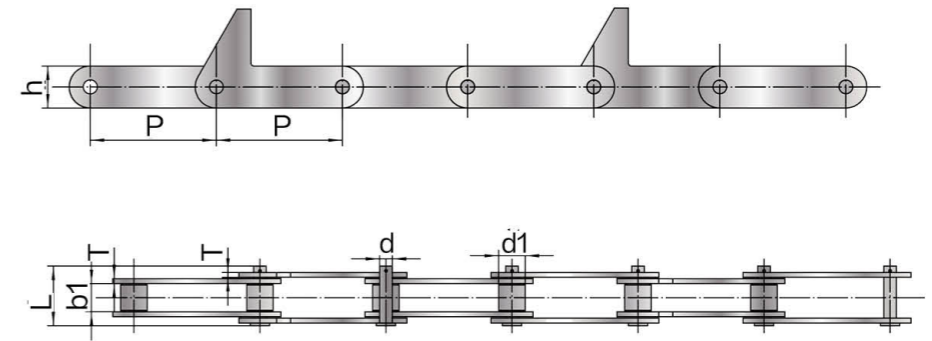
FULONG Chain No.	Pitch	Pin Length	Pin Diameter	Roller Diameter	Plate Height	Width Between Inner Plates
富龙链号	节距	销轴长度	销轴直径	滚子直径	链板高度	内节内宽
	P	L	d	d5	h	b1
	mm	mm	mm	mm	mm	mm
SSEA125	125.00	183.00	20.00	60.00	60.00	33.60



横送输送机链条 - 阴极剥片机组
Electrolysis cathode chain

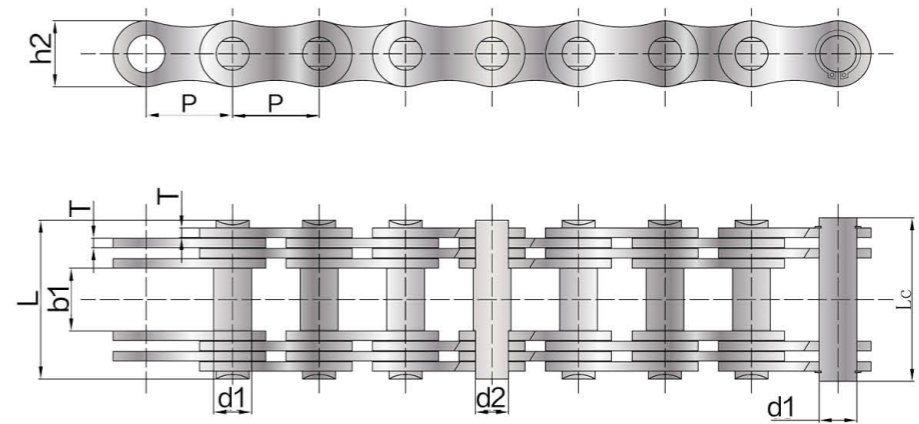
FULONG Chain No.	Pitch	Pin Length	Pin Diameter	Plate Thickness	Width Between Inner Plates
富龙链号	节距	销轴长度	销轴直径	链板厚度	内节内宽
	P	L	d	T	b1
	mm	mm	mm	mm	mm
SSEC81.5	81.50	105.00	11.00	6.35	23.00

链条材质: 300,400,600 系列不锈钢
Material: 300,400,600 series stainless steel



洗涤输送机链条
Washing chain

FULONG Chain No.	Pitch	Pin length	Pin Diameter	Roller Diameter	Plate Thickness	Width Between Inner Plates
富龙链号	节距	销轴长度	销轴直径	滚子直径	链板厚度	内节内宽
	P	L	d	d1	T	b1
	mm	mm	mm	mm	mm	mm
SSWC100	100.00	53.50	11.10	21.00	5.00	22.2



5544 板轴链
5544 Pin & Plate chain

FULONG Chain No.	Pitch	Pin Diameter	Width Between Inner Plates	Pin length	Plate Height	Plate Thickness	Ultimate Tensile Strength
富龙链号	节距	销轴直径	内节内宽	销轴长度	链板高度	链板厚度	极限拉伸载荷
	P	d1	b1	L	h2	T	
		max	min	max	max	max	min
SSWC100	55.00	24.00	40.00	101.00	104.00	42.00	263.5KN

链条材质: 300,400,600 系列不锈钢
Material: 300,400,600 series stainless steel

传动链
Driving chain

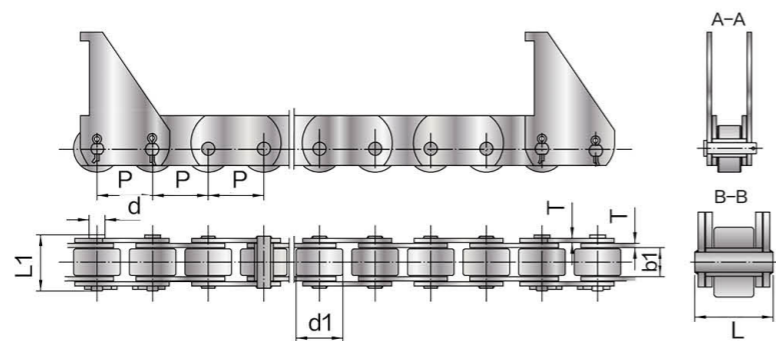
输送机链
Conveyor chain

板式链
Leaf chain

农机链
Agricultural chain

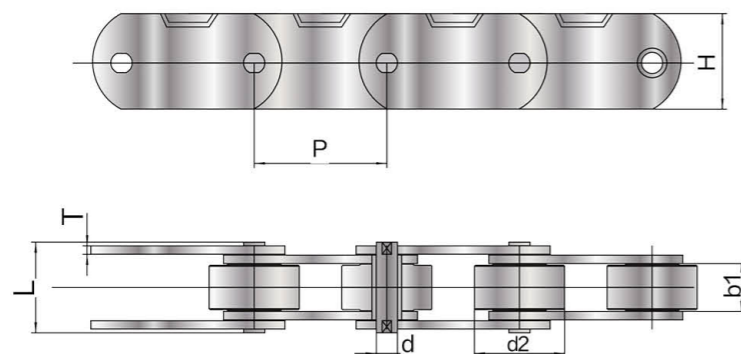
焊接链
Welded chain

特殊链
Special chain



阴极铜输送链
Cathode copper conveyor chain

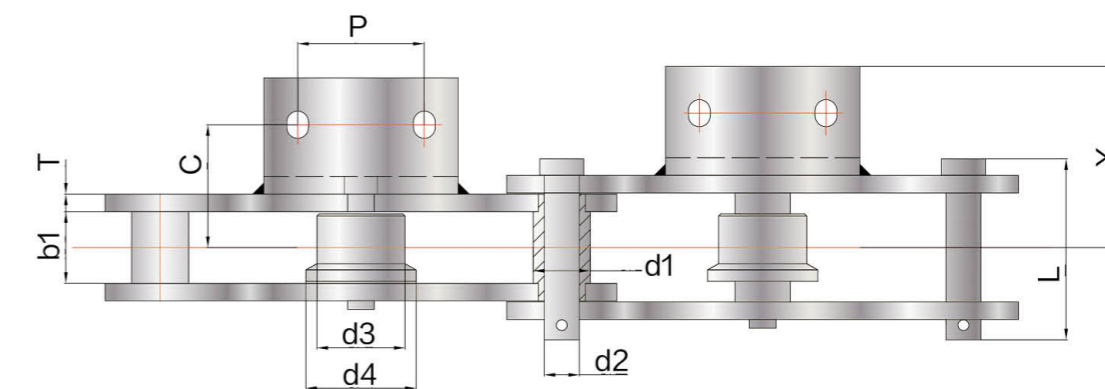
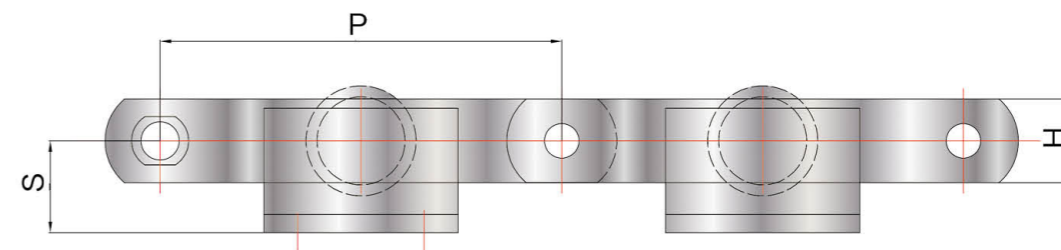
FULONG Chain No.	Pitch	Pin Length	Connecting Pin Length	Pin Diameter	Roller Diameter	Plate Thickness	Width Between Inner Plates
富龙链号	节距	销轴长度	连接销轴长度	销轴直径	滚子直径	链板厚度	内节内宽
	P	L	L1	d	d1	T	b1
	mm	mm	mm	mm	mm	mm	mm
SSP50	50.00	47.00	50.00	10.00	42.00	4.00	26.00



阳极铜输送链
Anode copper conveyor chain

FULONG Chain No.	Pitch	Pin Length	Pin Diameter	Roller Diameter	Plate Thickness	Plate Height	Width Between Inner Plates
富龙链号	节距	销轴长度	销轴直径	滚子直径	链板厚度	链板高度	内节内宽
	P	L	d	d2	T	H	b1
	mm	mm	mm	mm	mm	mm	mm
SSP100A	100.00	52.70	15.00	50.00	5.00	65.00	28.00

链条材质: 300,400,600 系列不锈钢
Material: 300,400,600 series stainless steel



矿渣输送链
Slag conveyor chain

Pitch	Width Between Inner Plates	Bush Diameter	Pin 销轴		Plate 链板		Attachment Dimension 附件尺寸						Ultimate Tensile Strength 极限拉伸载荷	
			Diameter 直径	Length 长度	Height 高度	Thickness 厚度	X	c	g	s	d3	d4		
P	b1 min	d1 max	d2 max	L max	H max	T	mm	mm	mm	mm	mm	mm	mm	mm
mm	mm	mm	mm	mm	mm	mm								KN
365	65	52	31.6	162	76.2	16	160	120	115	72	80	100		450.00

传动链
Driving chain

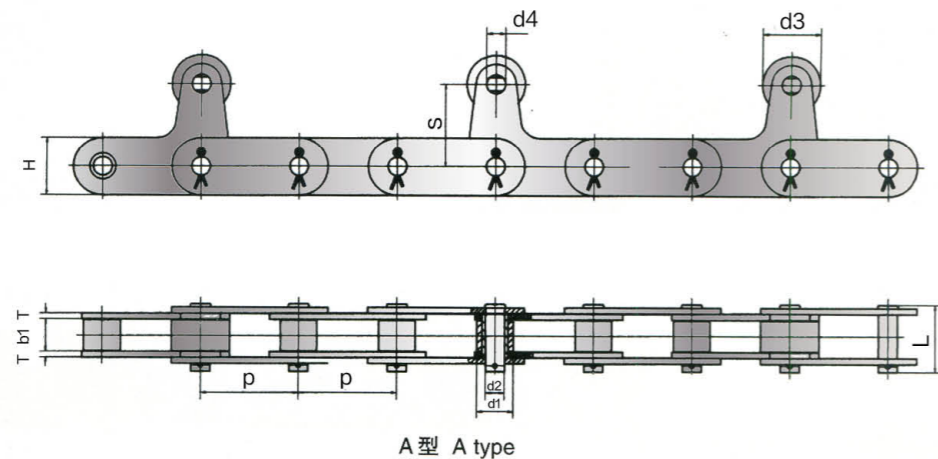
输送链
Conveyor chain

板式链
Leaf chain

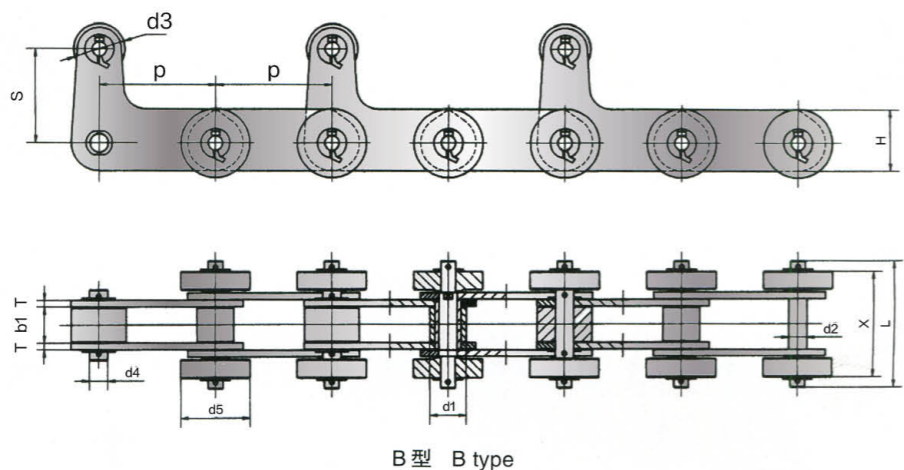
农机链
Agricultural chain

焊接链
Welded chain

特殊链
Special chain



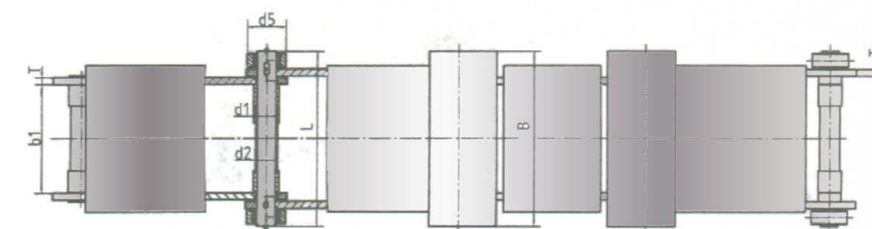
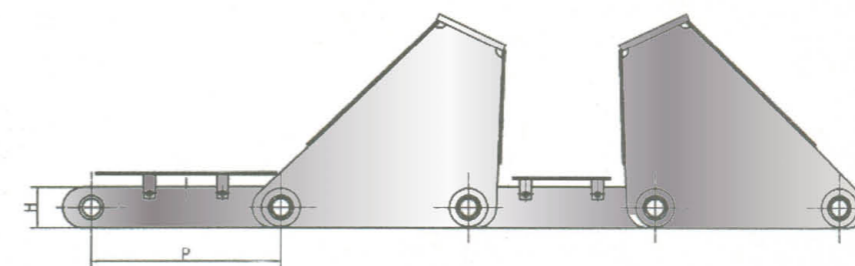
A型 A type



B型 B type

钢管运输链
Steel tube conveyor chain

Pitch 节距	Width Between Inner Plates 内节内宽	Roller Diameter 滚子直径	Pin 销轴		Plate 链板		Attachment Dimension 附件尺寸					Type 型式	Ultimate Tensile Strength 极限拉伸 载荷
			d2	L	H	T	d3	S	d4	X	d5		
P	b1 min	d1 max	d2	L	H	T	d3	S	d4	X	d5		min
mm	mm	mm	mm	mm	mm	mm	m	mm	mm				KN
135.0	135.0	50.0	26.0	95.5	80.0	8.0	80.0	115.0	26.0	/	/	A	320.0
135.0	135.0	50.0	26.0	95.5	80.0	8.0	80.0	140.0	26.0	/	/	A	320.0
135.0	135.0	60.0	30.0	200.0	75.0	12.0	60.0	100.0	20.0	175.0	85.0	B	350.0
160.0	160.0	50.0	25.0	177.0	85.0	9.0	70.0	130.0	25.0	148.0	95.0	B	320.0



钢卷输送链
Steel coil conveyor chain

Pitch 节距	Width Between Inner Plates 内节内宽	Roller Diameter 滚子直径		Pin 销轴		Plate 链板			Ultimate Tensile Strength 极限拉伸 载荷	Weight Per Meter 每米重量
		d1	d5	d2	L	H	T	B		
P	b1	d1	d5	d2	L	H	T	B	min	q
mm	mm	mm	mm	mm	mm	mm	mm	mm	KN	kq/m
830	484	110	170	80	780	180	30	780	3000.00	410
900	463	130	200	100	849	200	36	780	3600.00	770
1000	484	110	170	80	778	180	30	800	3000.00	350

传动链
Driving chain

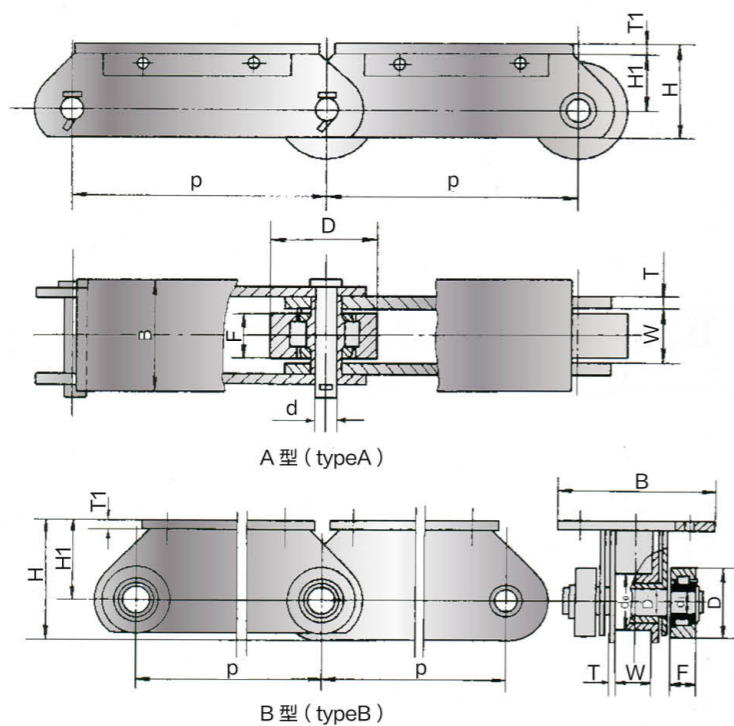
输送链
Conveyor chain

板式链
Leaf chain

农机链
Agricultural chain

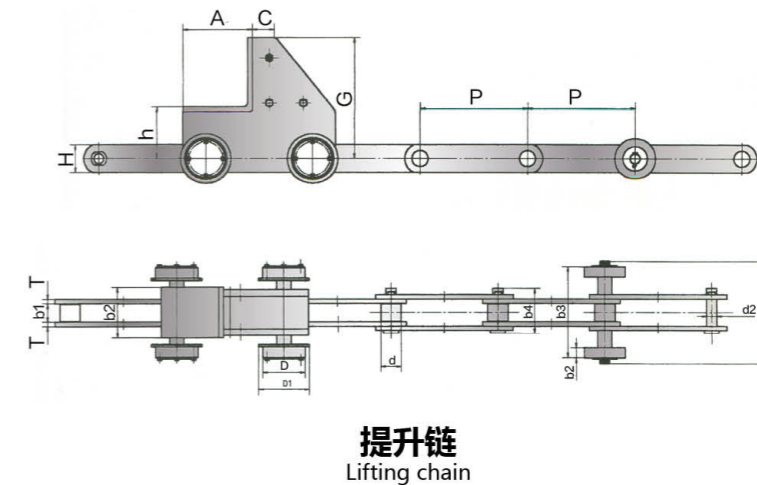
焊接链
Welded chain

特殊链
Special chain



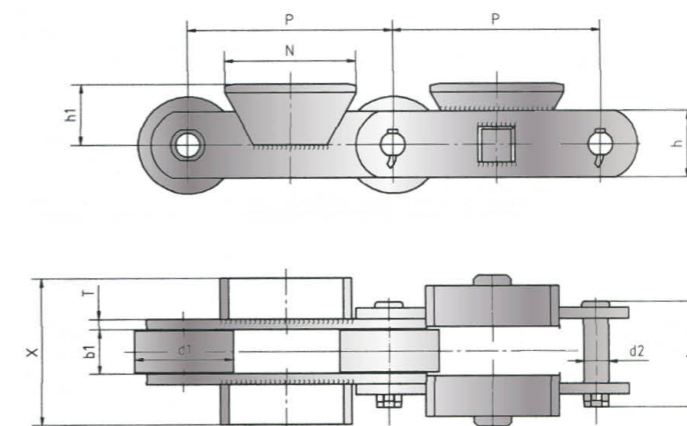
重载平板运输链
Heavy duty flat top conveyor chain

Pitch 节距	Plate 链板			Flat Plate Thickness 平板厚度	Type A A型					Type B B型					Ultimate Tensile Strength 极限拉伸 载荷		
	Height 高度	Thickness 厚度	厚度		W	B	d	D	F	W	B	d0	d1	D		F	D1
P	H	H1	T	T1	W	B	d	D	F	W	B	d0	d1	D	F	D1	min
mm	mm	mm	mm	mm	mm	mm	mm	mm	mm	mm	mm	mm	mm	mm	mm	mm	KN
75	76	45	5	6	35	80	11.1	60	30	28	130	36	17	60	18	18	145.00
150	90	50	6	8	40	90	12.7	70	35	32	140	42	20	65	22	21	175.00
200	95	55	8	9	45	100	15.8	80	40	34	150	50	20	65	25	25	200.00
250	104	64.5	9.5	9	51.4	110	19.1	95	44	36	160	55	25	70	25	30	250.00
350	108	68	9.5	10	64	115	22.2	100	46	40	170	55	30	72	29	32	330.00
450	127	89	10	12	65	145	25.4	105	52	40	180	60	30	72	29	34	400.00
550	150	105	14	15	80	100	28.3	110	60	50	220	70	40	90	40	42	650.00
400	182	140	10	12						75	240	60	26	120	45	30	530.00
300	171	94	16	16	82	210	38.2	150	70								850.00
500	171	94	16	16	82	210	38.2	150	70								850.00
600	208	112	16	16	88	220	45.2	160	75								1200.00



提升链
Lifting chain

Pitch 节距	Width Between Inner Plates 内节内宽	Roller Diameter 滚子直径	Pin Diameter 销轴直径			Plate Thickness 链板厚度		Attachment Dimension 附件尺寸						Ultimate Tensile Strength 极限拉伸 载荷		
			d2	b4	b5	H	T	h	A	C	G	b2	D		D1	b3
315	55	60	30	133	310	82	13	170	205	70	360	180	125	149	274	450.00



焊接板输送链
Welded plate conveyor chain

Pitch 节距	Width Between Inner Plates 内节内宽	Roller Diameter 滚子直径	Pin 销轴		Plate 链板		Attachment Dimension 附件尺寸			Ultimate Tensile Strength 极限拉伸 载荷	Weight Per Meter 每米重量
			d2 max	L.max	h	T	n	h1	x		
P	b1 min	d1 max	d2 max	L.max	h	T	n	h1	x	KN/min	kg/m
315	47	100	25	117	72	11	200	65	170	315.00	36.5
250	55	120	30	133	82	13	160	75	181	450.00	51.2

传动链
Driving chain

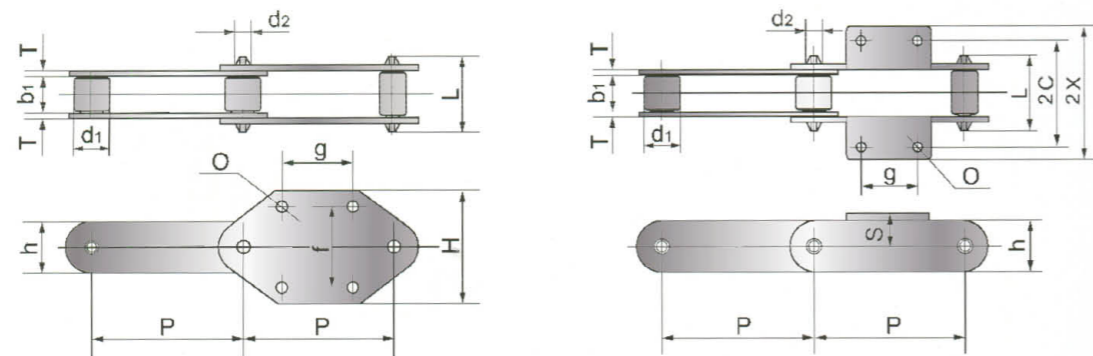
输送带
Conveyor chain

板式链
Leaf chain

农机链
Agricultural chain

焊接链
Welded chain

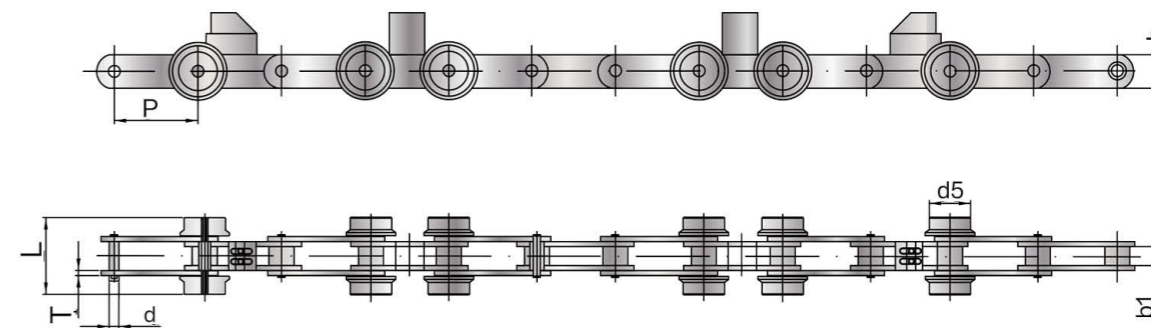
特殊链
Special chain



斗式提升链
Bucket elevator chain

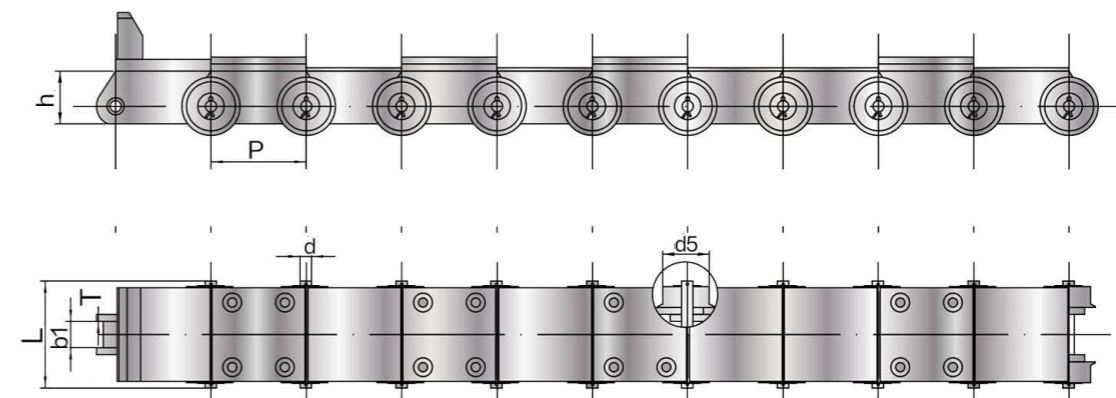
Pitch 节距	Width Between Inner Plates 内节内宽	Roller Diameter 滚子直径	Pin 销轴		Plate 链板		G attachment G型附件				Ultimate Tensile Strength 极限拉伸载荷
			Diameter 直径	Length 长度	Height 高度	Thickness 厚度	H	f	g	o	
P	b1 min	d1 max	d2 max	l max	h max	T	H	f	g	o	min
mm	mm	mm	mm	mm	mm	mm	mm	mm	mm	mm	KN
152.4	36.5	35	15.5	90	50	8	110	70	75	14	200.00
200	51.8	42	19.1	120	60	10	125	80	100	14	320.00
200	58	50	20	126	75	10	125	80	100	14	420.00
250	67.4	63.5	31.75	146	90	12	150	110	150	17	800.00

Pitch 节距	Width Between Inner Plates 内节内宽	Roller diameter 滚子直径	Pin 销轴		Plate 链板		G attachment G型附件					Ultimate Tensile Strength 极限拉伸 载荷
			Diameter 直径	Length 长度	Height 高度	Thickness 厚度	2X	2C	s	g	o	
P	b1 min	d1 max	d2 max	l max	h max	T	2X	2C	s	g	o	min
mm	mm	mm	mm	mm	mm	mm	mm	mm	mm	mm	mm	KN
100	37	36	16	80	40	6	130	96	36	30	13	160.00
101.6	54	25.4(套)	16	110	40	10	164	134	36	44	12	280.00
101.6	27	26.5	11.5	70	35	6	120	80	35	35	10	120.00
152.4	36.5	35	15.5	90	50	8	150	110	80	80	10	200.00
200	57.6	48.5	19.1	120	75	10	200	160	125	125	12	380.00
315	68	70	36	147	100	14	250	200	85	85	24	1250.00



横送运输机链条 - 阳极机组
Electrolysis anode chain

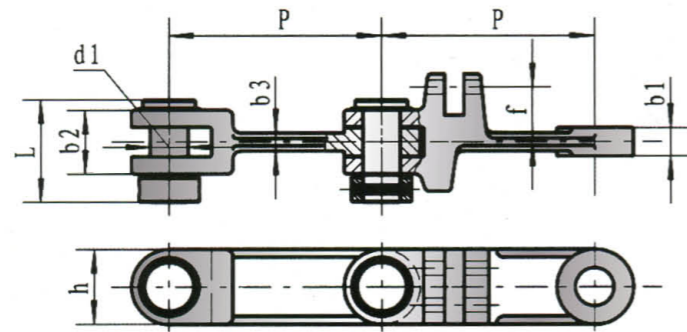
FULONG Chain No.	Pitch 节距	Pin Length 销轴长度	Pin Diameter 销轴直径	Roller Diameter 滚子直径	Plate Thickness 链板厚度	Plate Depth 链板高度	Width Between Inner Plates 内节内宽
富龙链号	P	L	d	d5	T	h	b1
	mm	mm	mm	mm	mm	mm	mm
SSEA125	125.00	183.00	20.00	60.00	8.20	60.00	33.60



横送运输机链条 - 阴极剥片机组
Electrolysis cathode chain

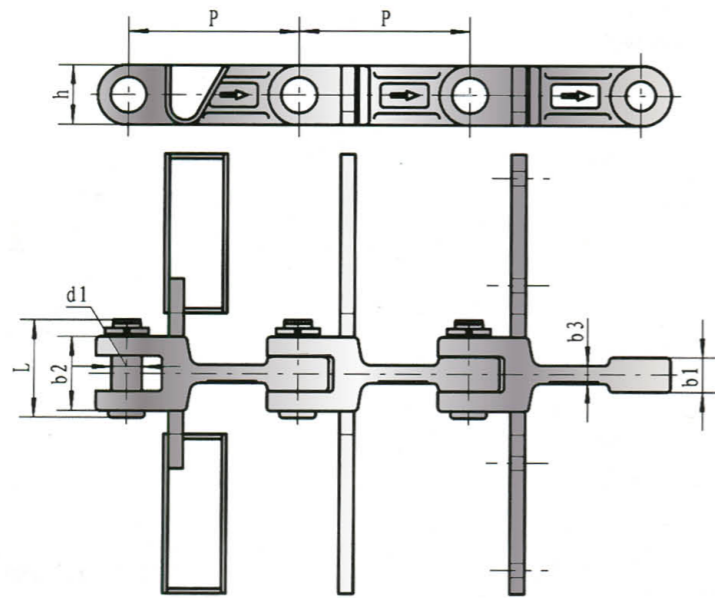
FULONG Chain No.	Pitch 节距	Pin Length 销轴长度	Pin Diameter 销轴直径	Plate Thickness 链板厚度	Width Between Inner Plates 内节内宽
富龙链号	P	L	d	T	b1
	mm	mm	mm	mm	mm
SSEC81.5	81.50	105.00	11.00	6.35	23.00

链条材质: 300,400,600 系列不锈钢
Material: 300,400,600 series stainless steel



刮板链
Scraper Chain

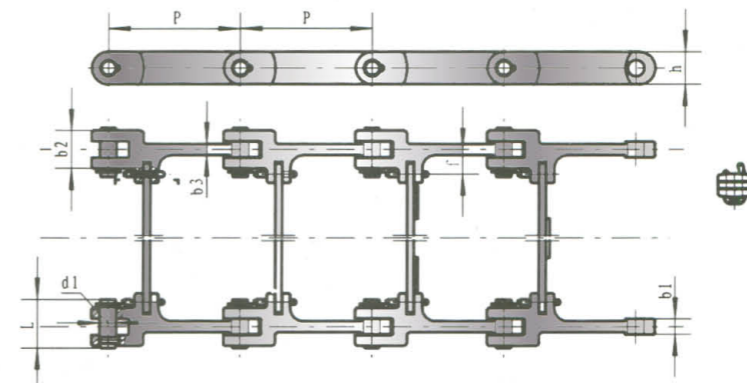
P	d1(mm)	b1(mm)	b2(mm)	b3(mm)	f(mm)	L(mm)
142	25	19	43	12.2	35	69



P	d1(mm)	b1(mm)	b2(mm)	b3(mm)	L(mm)
142	25	29	62	15	82



传动链
Driving chain



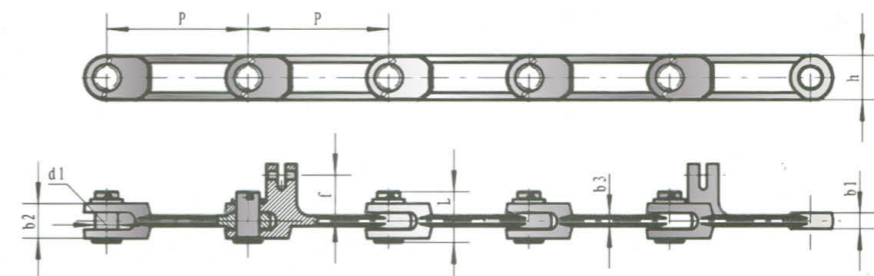
输送带链
Conveyor chain

刮板链
Scraper Chain

P	d1(mm)	h(mm)	b1(mm)	b2(mm)	b3(mm)	f(mm)	L(mm)
200	25	50	24	58	17	38	75

板式链
Leaf chain

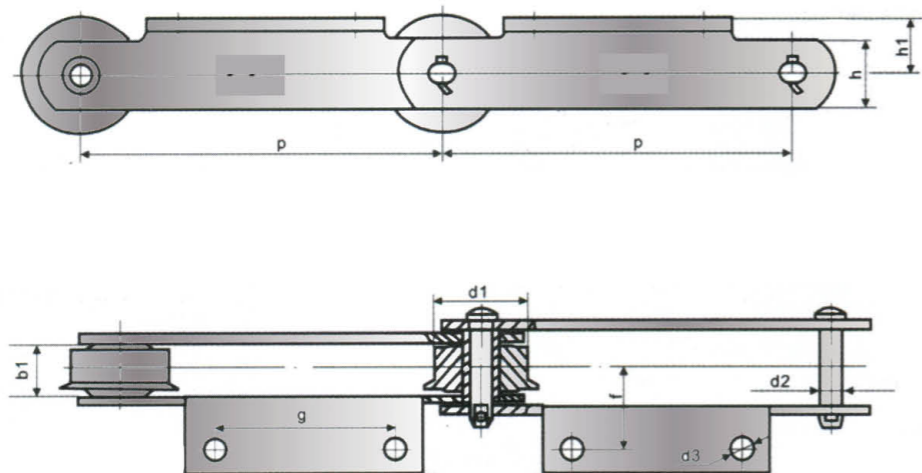
农机链
Agricultural chain



焊接链
Welded chain

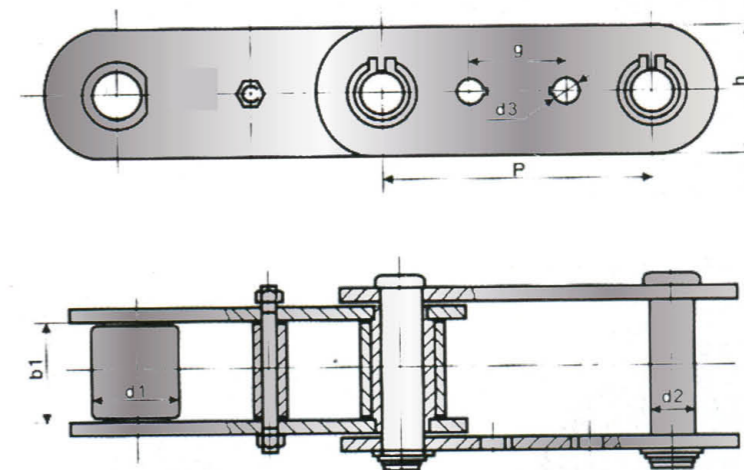
P	d1(mm)	h(mm)	b1(mm)	b2(mm)	b3(mm)	f(mm)	L(mm)
200	32	64	23	50	15	66	69

特殊链
Special chain



输送机链
Conveyor machine chain

Pitch 节距	Width Between Inner Plates 内节内宽	Roller Diameter 滚子直径	Pin Diameter 销轴直径	Plate Height 链板高度	Bending Height 平台高度	Attachment Dimension			Weight Per Meter 每米重量	Ultimate Tensile Strength 极限拉伸 载荷	Note 备注
						横向距离	附件孔心距	附件孔径			
P	b1	d1	d2	h	h1	f	g	d3	kg/m	Q	Note
mm	mm	mm	mm	mm	mm	mm	mm	mm		KN/min	
150	36	70/85	18	51	51	61	40	9	17.9	160.00	BTL800
150	45.5	67/75	15	41	40	50	55	12	11.3	160.00	1000T/H
250	51.4	80/110	19.5	50.8	45	75	125	15	23.2	250.00	2111
250	37.1	65/80	15.88	44.5	38	60	125	15	14.3	190.00	2139
250	62	100/125	28	65	60	111	单孔	22	33.9	240.00	21.01
300	108	136/160	50	120	100	150	140	27	87	720.00	1.03
300	77	125/150	36	80	70	131	单孔	27	53.9	370.00	4.02,14.03



斗提机链
Bucket lifting chain

Pitch 节距	Width Between Inner Plates 内节内宽	Roller Diameter 滚子直径	Pin Diameter 销轴直径	Plate Height 链板高度	Attachment Dimension			Weight Per Meter 每米重量	Ultimate Tensile Strength 极限拉伸 载荷	Note 备注
					横向距离	附件孔心距	附件孔径			
P	b1	d1	d2	h	f	g	d3	kg/m	Q	Note
mm	mm	mm	mm	mm	mm	mm	mm		KN/min	
75	30	29	14.5	38.1	75	75	14	11.03	200.00	/
100	37.1	34.9	16	44.5	100	100	16	14.14	250.00	/
100	66.3	52	27	80	100	100	18	35.38	650.00	/
125	57.2	50.8	24	63.5	110	125	22	25.53	650.00	/
125	66.7	57.2	28	76.2	110	125	18	42.8	800.00	/
125	70	62	33	90	110	125	18	46.24	1000.00	/
150	66.7	57.2	28	76.2	140	150	22	37.75	800.00	/
150	30	31.8	14.5	38.1	75	75	14	8.2	200.00	/
160	37.1	34.9	16	44.5	75	75	14	11.91	285.00	/
160	56	60	30	82	100	80	14	40	740.00	TB500
200	37.1	34.9	16	44.5	100	100	16	11.8	250.00	/
200	52	44.5	19	60	80	100	18	19.55	380.00	NE100
200	60	50	25	75	100	100	22	26	456.00	NE100 加强
200	58	48.5	22	74	80 (100)	100	18	224	500.00	NE150
200	57.2	50.8	24	65	100	100	16	20.84	456.00	/
250	67.4	63.5	31.75	90	80	100	18	/	750.00	NE200
250	57.5	50	24	64	110	125	18	/	456.00	NBC600H
250	66.7	57.2	28	76.2	110	125	18	29.88	800.00	/
300	55	60	30	82	160	120	17	35.73	750.00	NE400.5a

传动链
Driving chain

输送机链
Conveyor chain

板式链
Leaf chain

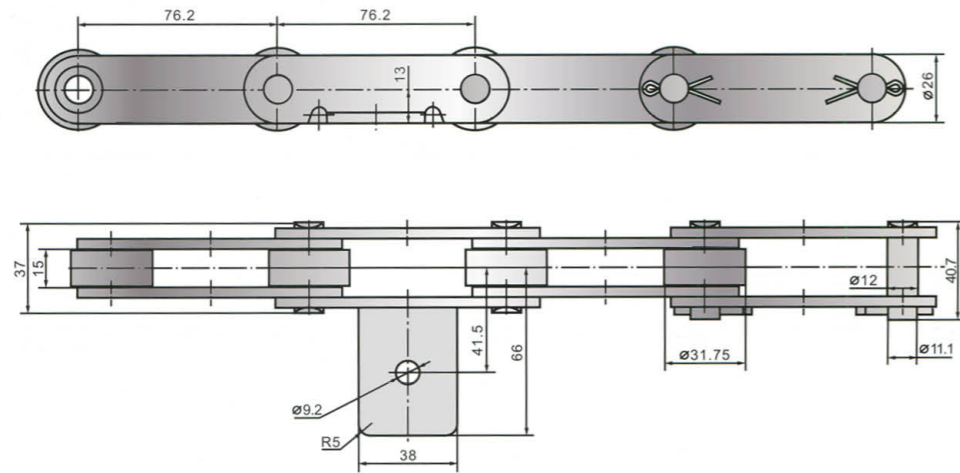
农机链
Agricultural chain

焊接链
Welded chain

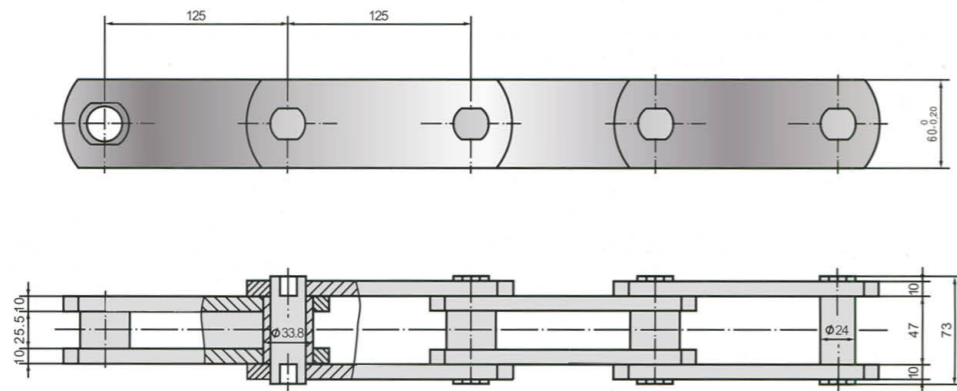
特殊链
Special chain

专业应用配套有色冶炼行业

Specialized chain for nonferrous metals melting industry



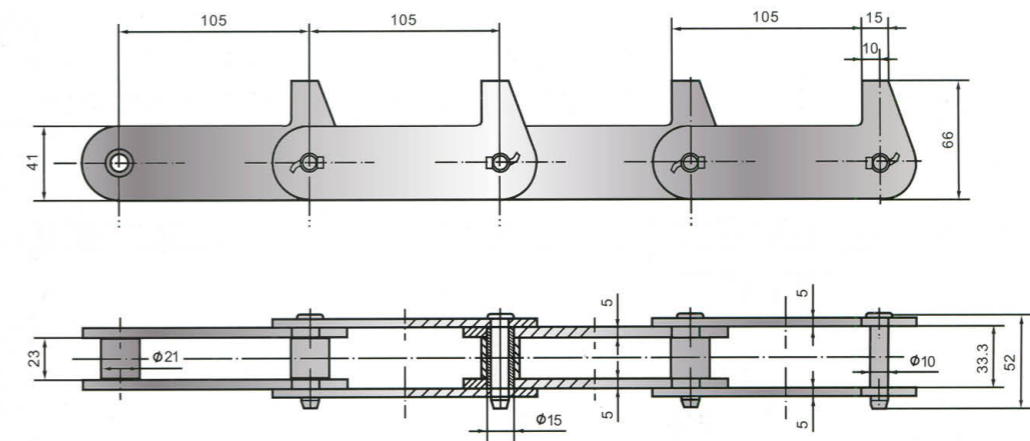
板式喂料机链
Plate-feeding machine chain



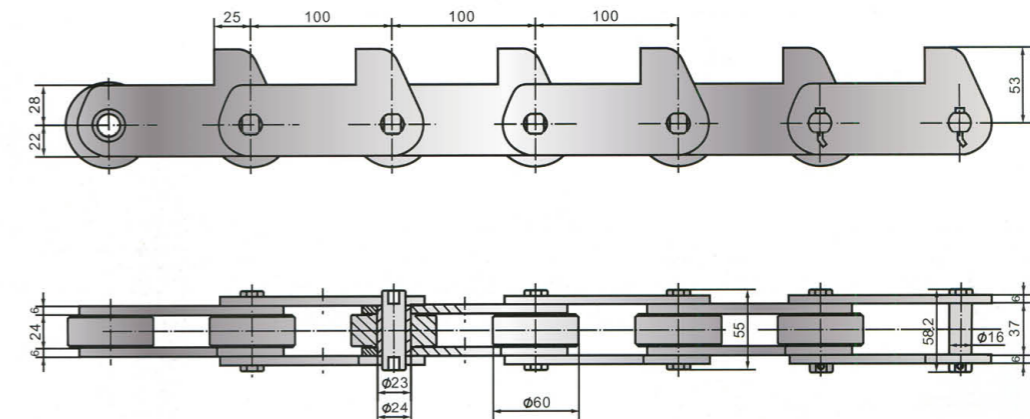
不锈钢链
SS chain

专业应用配套有色冶炼行业

Specialized chain for nonferrous metals melting industry



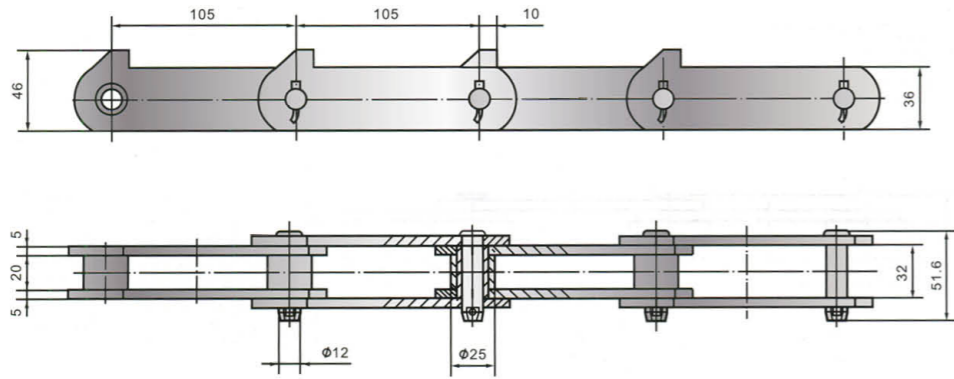
不锈钢洗涤链
Stainless steel washing chain



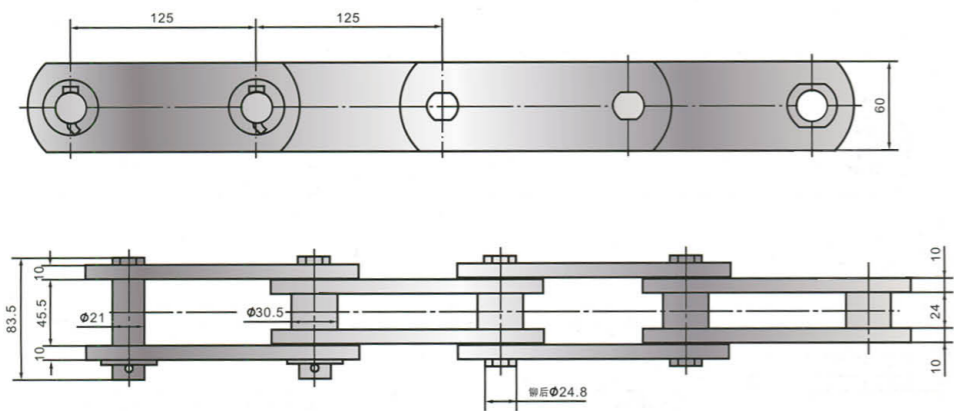
不锈钢导入链
SS guide chain

专业应用配套有色冶炼行业

Specialized chain for nonferrous metals melting industry



不锈钢受板链
Stainless steel Plate washing chain

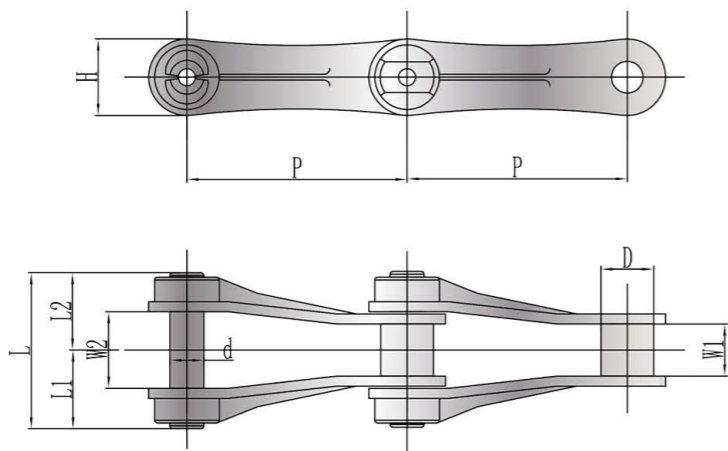


不锈钢水槽链
SS water tank chain



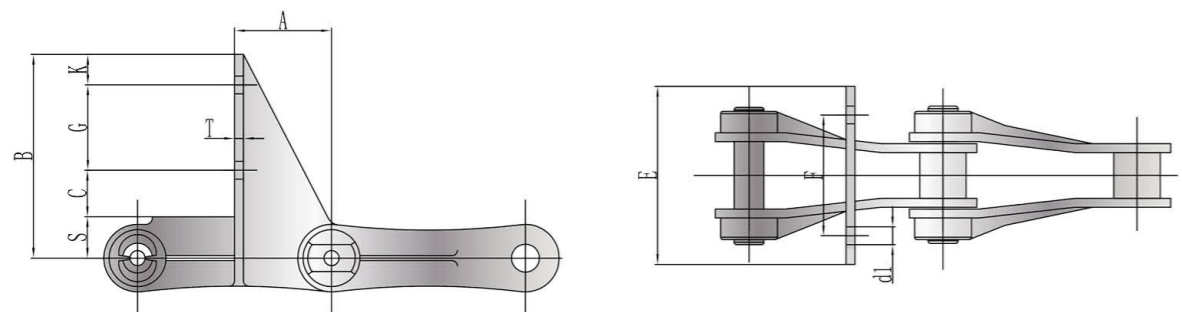
02

污水处理用链条
Sewage Treatment Chain



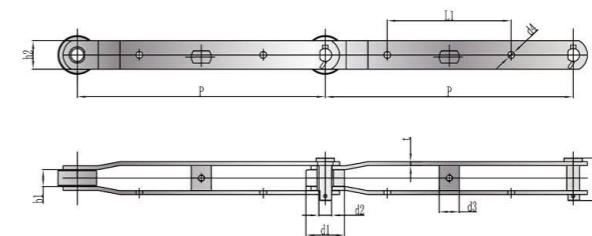
HEP 型非金属链
Nonmetallic chain (HEP type)

FULONG Chain No.	Pitch	Weight	Dimension								Average Tensile Strength
	节距	每米重量	尺寸 (mm)								平均极限载荷
富龙链号	P	kg/m	D	W1	W2	d	L	L1	L2	H	KN
HEP 720S	152.40	2.30	36.50	36.00	53.00	23.50	108.00	54.50	53.50	53.00	18.00
HEP 730	152.40	2.60	38.10	35.00	53.00	23.50	108.00	54.50	53.50	53.00	18.00



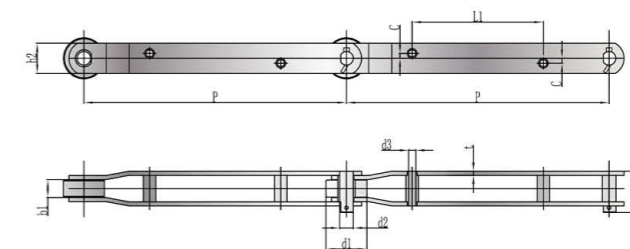
HEP 型非金属链
Nonmetallic chain (HEP type)

FULONG Chain No.	Weight of Attachment	Dimension									
		尺寸 (mm)									
富龙链号	附件重量	A	B	C	E	F	G	K	S	T	d1
HEP 720S	0.34	76.20	160	36.5	140	95	67	24	32.5	7	14
HEP 730	0.45	76.2	160	36.5	140.00	95.00	67	24.00	32.50	9.00	14.00

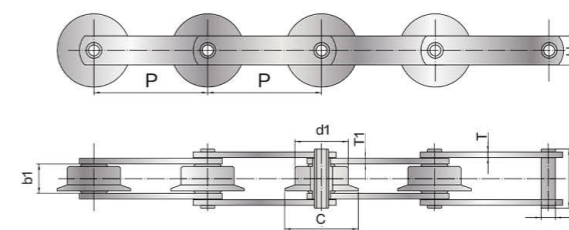


污水处理链
Sewage chain

FULONG Chain No.	Pitch	Ultimate Tensile Strength	Weight Per Meter	Roller Diameter	Width Between Inner Plates	Pin Diameter		Pin Length	Plate Height	Plate Thickness	Hole Distance	
	节距	极限拉伸载荷	每米重量	滚子直径	内节内宽	销轴直径	销轴长度	链板高度	链板厚度	链板附孔		
富龙链号	P	Q	kg/m	d1	b1	d2	d3	L	h2	t	L1	d4
P610F1	610	230	16.77	95.25	41.65	31.75	49.2	107.8	69.85	9.5	304.8	16.66



FULONG Chain No.	Pitch	Ultimate Tensile Strength	Weight Per Meter	Roller Diameter	Width Between Inner Plates	Pin Diameter		Pin Length	Plate Height	Plate Thickness	Hole Distance	
	节距	极限拉伸载荷	每米重量	滚子直径	内节内宽	销轴直径	销轴长度	链板高度	链板厚度	链板附孔		
富龙链号	P	Q	kg/m	d1	b1	d2	d3	L	h2	t	L1	c
P610F2	610	80	17.35	101.6	39.69	30.73	30.64	84	76.2	9.5	292.1	12.7



FULONG Chain No.	Pitch	Average Tensile Strength	Ultimate Tensile Strength	Weight Per Meter	Width Between Inner Plates	Roller Diameter	Pin Diameter	Pin Diameter	Plate Height	Plate Thickness			
	节距	平均拉伸载荷	极限拉伸载荷	每米重量	内节内宽	滚子直径	销轴直径	销轴长度	链板高度	链板厚度			
富龙链号	P	KN	KN	Kg/m	b1	d1	C	d2	内孔	L	H	T	T1
SSW152	152.40	85.47	77.0	10.8	25.4	66.7	85.7	27.1	20.0	58.8	50.0	5.0	7.0

链条材质: 300,400,600 系列不锈钢
Material: 300,400,600 series stainless steel

传动链
Driving chain

输送带链
Conveyor chain

板式链
Leaf chain

农机链
Agricultural chain

焊接链
Welded chain

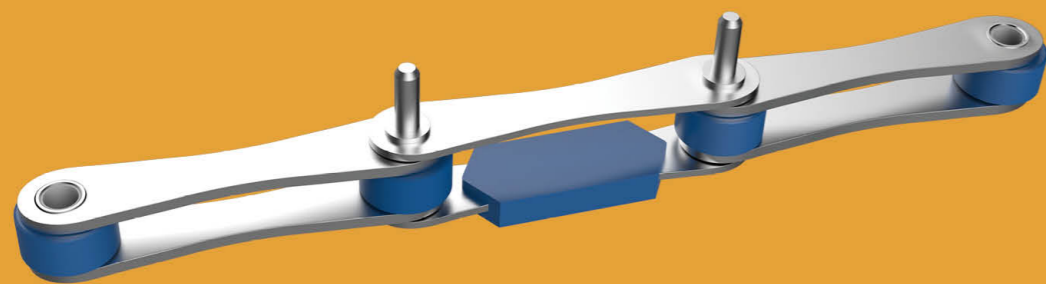
特殊链
Special chain



03

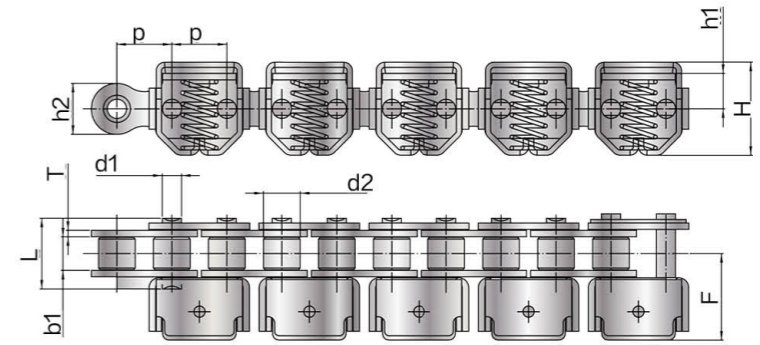
食品机械用链条

Food Industry Chain



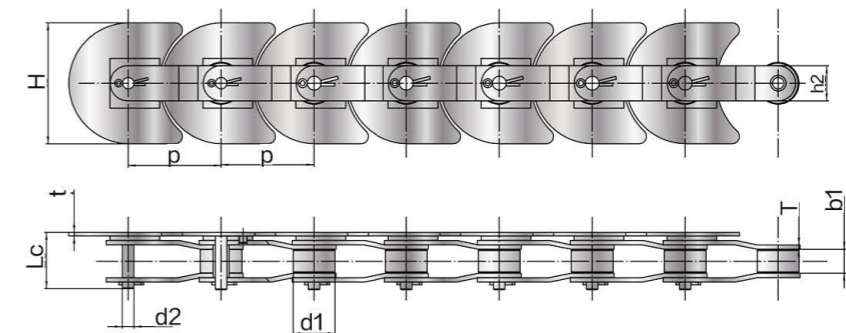
FULONG CHAIN

富龙链条



薄膜链
Film clamp chain

FULONG Chain No.	Pitch	Roller Diameter	Width Between Inner Plates	Pin Diameter	Pin Length	Inner Plate Height	Attachment Dimension				Ultimate Tensile Strength	Weight Per Meter
富龙链号	节距	滚子直径	内节内宽	销轴直径	销轴长度	链板高度	附件尺寸				极限拉伸载荷	每米重量
	P	d2	b1	d1	L	h2	F	h1	H	T	Q	q.
	mm	mm	mm	mm	mm	mm	mm	mm	mm	mm	KN	Kg/m
SSFL100	12.7	8.51	7.75	4.45	16.70	11.80	13.80	8.00	16.50	1.60	8.40	1.14



寿司链
Sushi Chain

FULONG Chain No.	Pitch	Roller Diameter	Width Between Inner Plates	Pin Diameter	Top Plate Width	Inner Plate Height	Plate Thickness	Top Plate Thickness	Chain Width
富龙链号	节距	滚子直径	内节内宽	销轴直径	顶板宽度	链板高度	链板厚度	顶板厚度	链条宽度
	P	d1	b1	d2	H	h2	T	t	Lc
	mm	mm	mm	mm	mm	mm	mm	mm	mm
SSSC76.2A	76.20	49.50	19.00	7.92	175.00	22.00	2.50	3.00	42.50
SSSC76.2B	76.20	49.50	19.00	7.92	112.00	22.00	2.50	2.50	42.00
SSSC100	100.00	49.50	19.00	7.92	140.00	22.00	2.40	2.40	39.50

链条材质: 300,400,600 系列不锈钢
Material: 300,400,600 series stainless steel

传动链
Driving chain

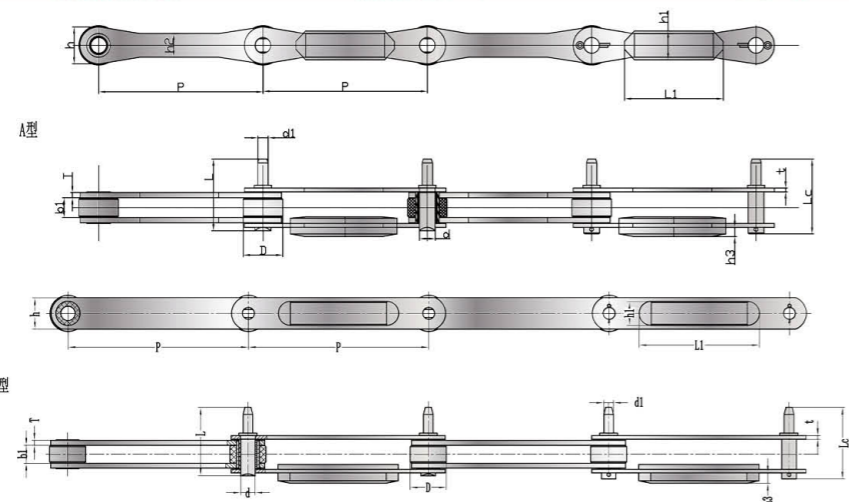
输送带链
Conveyor chain

板式链
Leaf chain

农机链
Agricultural chain

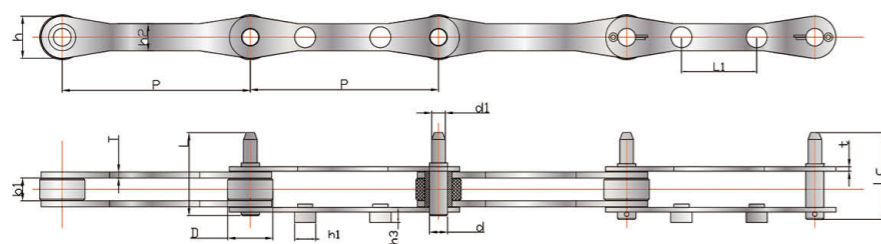
焊接链
Welded chain

特殊链
Special chain



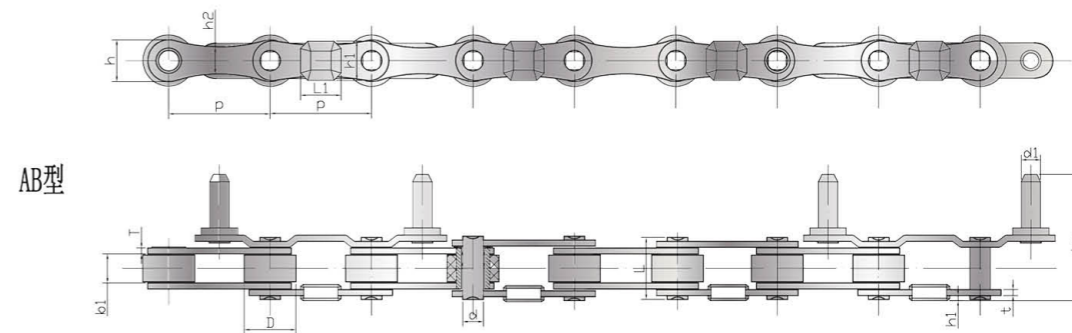
冰淇淋链条
Ice cream chain

FULONG Chain No.	Pitch	Pin Length	Pin Diameter	Roller Diameter	Plate Height	Width Between Inner Plates	Pin length	Plate thickness	Plastic abrasion blocks	Plate Height
富龙链号	节距	销轴长度	销轴直径	滚子直径	链板高度	内节内宽	接销长度	板厚	防磨块尺寸	链板高度
	P	L	d	D	h	b1	Lc	T/t	L1*h1*h3	h2
	mm	mm	mm	mm	mm	mm	mm	mm	mm	mm
C-SSIC150	150.00	57.00	11.80	30.00	26.00	16.00	59.50	4/3	104*20*8	/
A-SSIC125	125.00	55.50	12.00	30.00	28.00	15.00	58.00	4/3	75*22*7	18
A-SSIC150-1	125.00	55.50	12.00	30.00	28.00	15.00	58.00	4/3	75*22*15	18
A-SSIC125-2	125.00	55.50	12.00	30.00	28.00	15.00	58.00	4/3	75*22*15	18
A-SSIC125-3	125.00	57.00	11.20	30.00	28.00	15.60	57.50	4/3	72*20*16.5	18
A-SSIC125-4	125.00	58.00	11.20	30.00	28.00	15.00	60.60	4	73*25*15.2	17
A-SSIC125-5	125.00	67.00	11.20	30.00	28.00	20.00	69.00	4	72*20*14.7	18
A-SSIC125-7	125.00	56.80	11.70	30.00	26.50	16.00	58.80	4/3	75*22*15	18



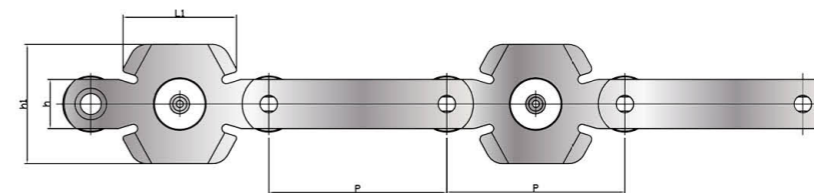
冰淇淋链条
Ice cream chain

FULONG Chain No.	Pitch	Pin Length	Pin Diameter	Roller Diameter	Plate Height	Width Between Inner Plates	Pin length	Plate thickness	Plastic abrasion blocks	Plate Height
富龙链号	节距	销轴长度	销轴直径	滚子直径	链板高度	内节内宽	接销长度	板厚	防磨块尺寸	链板高度
	P	L	d	D	h	b1	Lc	T/t	L1*h1*h3	h2
	mm	mm	mm	mm	mm	mm	mm	mm	mm	mm
A-SSIC125-6	125.00	60.00	12.00	29.80	28.00	15.00	63.00	4	17/10*13	22
A-SSIC125-8	125.00	56.00	11.70	30.00	28.00	15.00	59.00	4/3	17*15	18
A-SSIC125-9	125.00	86.00	10.00	30.00	28.00	15.00	89.00	4/3.1	17*15	18

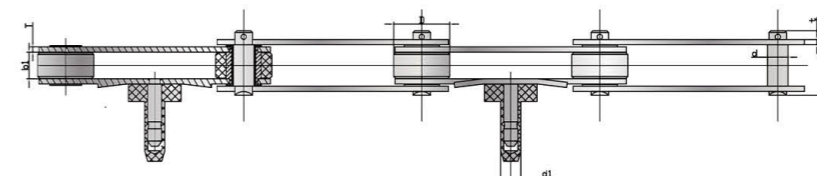


冰淇淋链条
Ice cream chain

FULONG Chain No.	Pitch	Pin Length	Pin Diameter	Roller Diameter	Plate Height	Width Between Inner Plates	Pin Length	Plate Thickness	Plastic Abrasion Blocks	Plate Height
富龙链号	节距	销轴长度	销轴直径	滚子直径	链板高度	内节内宽	接销长度	板厚	防磨块尺寸	链板高度
	P	L	d	D	h	b1	Lc	T/t	L1*h1*h3	h2
	mm	mm	mm	mm	mm	mm	mm	mm	mm	mm
AB-SSIC50.8	50.80	26.50	11.55	30.00	25.80	10.00	57.80	3/3	23*23*5	13.50



CP型



冰淇淋链条
Ice cream chain

FULONG Chain No.	Pitch	Pin Length	Pin Diameter	Roller Diameter	Plate Height	Width Between Inner Plates	Plate Thickness	Plastic Abrasion Blocks	Plate Height
富龙链号	节距	销轴长度	销轴直径	滚子直径	链板高度	内节内宽	板厚	防磨块尺寸	链板高度
	P	L	d	D	h	b1	T/t	L1*h1*h3	d2
	mm	mm	mm	mm	mm	mm	mm	mm	mm
CP-SSIC76.2	76.20	38.50	11.75	32.00	28.00	15.00	3.00	68*65	11.50
CP-SSIC101.6	101.60	38.50	11.75	32.00	28.00	15.00	3.00	68*65	11.50

传动链
Driving chain

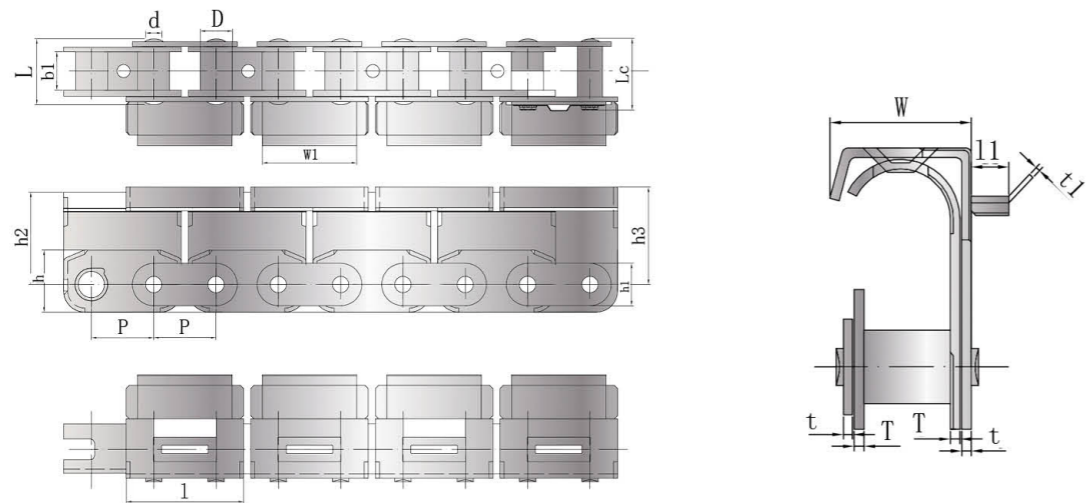
输送带链
Conveyor chain

板式链
Leaf chain

农机链
Agricultural chain

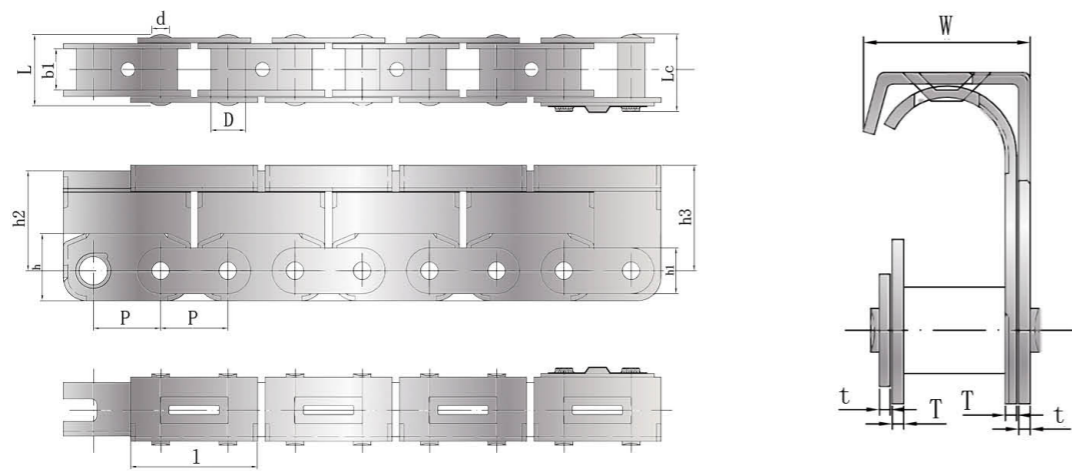
焊接链
Welded chain

特殊链
Special chain



堆积式冷冻食品链
Stored frozen food chain

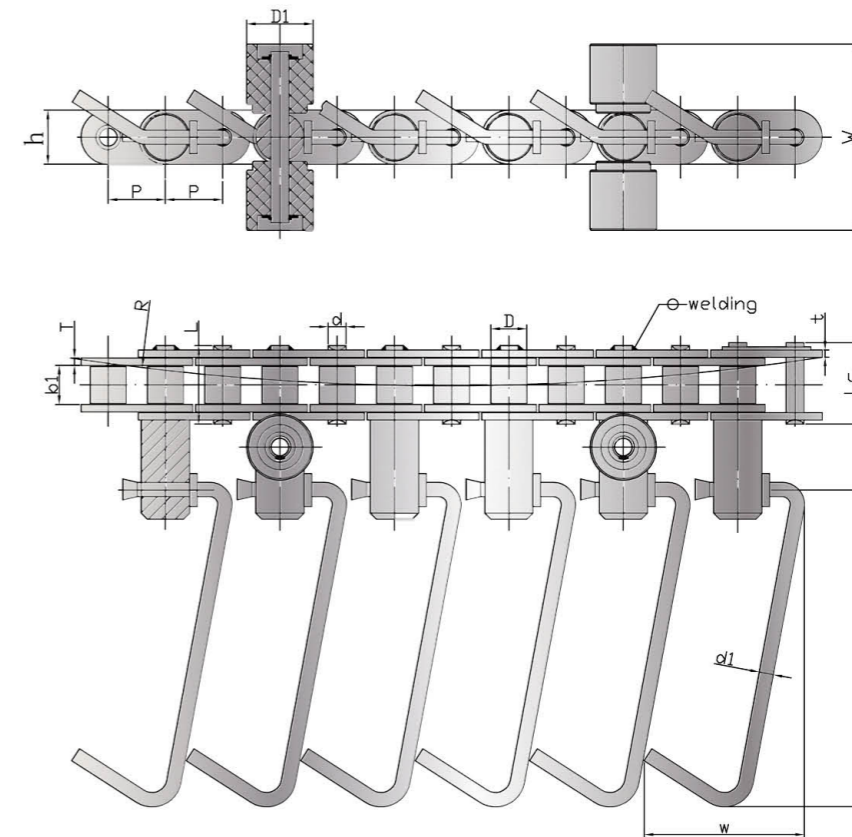
FULONG Chain No. 富龙链号	Pitch 节距	Pin Length 销轴长度	Pin Diameter 销轴直径	Roller Diameter 滚子直径	Plate Depth 链板高度	Width Between Inner Plates 内节内宽	Pin Length 销轴长度	Plate Thickness 板厚	Shell Size 壳体尺寸	Accessories Size 附件尺寸
	P	L	d	D	h*h1*h2*h3	b1	Lc	T/t	l*w	l1*w1*t1
	mm	mm	mm	mm	mm	mm	mm	mm	mm	mm
SFF-SS38.1 (Inner Ring)	38.10	40.00	10.00	20.00	38*26*56*59	23.50	47.00	2.5	72*38	11*59*1.5



热狗生产线输送链
Conveyor chain of hot dog

FULONG Chain No. 富龙链号	Pitch 节距	Pin Length 销轴长度	Pin Diameter 销轴直径	Roller Diameter 滚子直径	Plate Height 链板高度	Width Between Inner Plates 内节内宽	Pin Length 销轴长度	Plate Thickness 链板厚度	Roller Size 滚轮尺寸	Side Bow Radius 侧弯半径	Hook Size 挂钩尺寸
	P	L	d	D	h	b1	Lc	T/t	W*D1	≤ R	d1*w*l
	mm	mm	mm	mm	mm	mm	mm	mm	mm	mm	mm
ST-SSC60SB	19.05	25.60	5.94	11.91	18.00	12.57	27.50	2.42	62	1500.00	4.7*53*108

FULONG Chain No. 富龙链号	Pitch 节距	Pin Length 销轴长度	Pin Diameter 销轴直径	Roller Diameter 滚子直径	Plate Height 链板高度	Width Between Inner Plates 内节内宽	Pin Length 销轴长度	Plate Thickness 板厚	Shell Size 壳体尺寸	Accessories Size 附件尺寸
	P	L	d	D	h*h1*h2*h3	b1	Lc	T/t	l*w	l1*w1*t1
	mm	mm	mm	mm	mm	mm	mm	mm	mm	mm
SFF-SS38.1 (outer Ring)	38.10	40.00	10.00	20.00	38*26*56*59	23.50	47.00	2.5	72*38	/



传动链
Driving chain

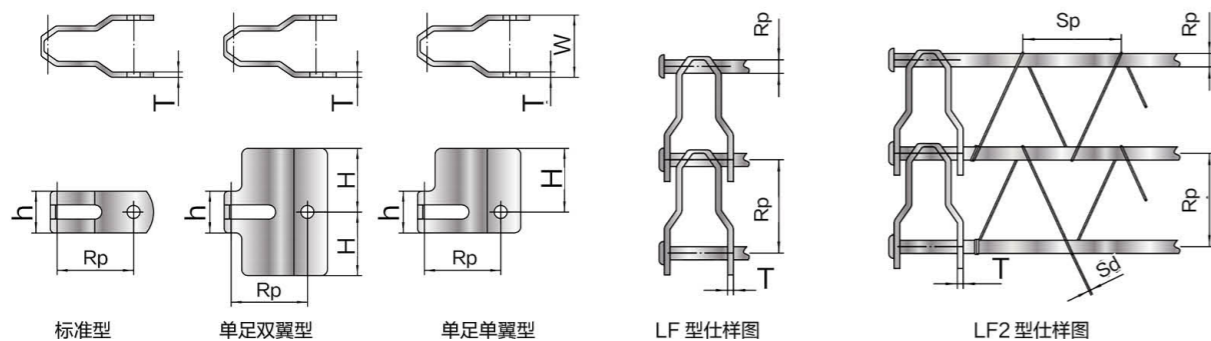
输送带链
Conveyor chain

板式链
Leaf chain

农机链
Agricultural chain

焊接链
Welded chain

特殊链
Special chain



马蹄链
Hoof chain

FULONG Chain No.	零件号	Rod Pitch	Plate Thickness	Plate Height	Link Outer Width	Side Plate Height	Rod Diameter
富龙链号	Part No.	Rp	T	h	W	H	Rd
		mm	mm	mm	mm	mm	mm
新 1 号标准马蹄	1#S	19.05	2.00	12.00	23.50	-	5.30
新 1 号 H20 马蹄	1#H20	19.05	2.00	12.00	23.50	20.00	5.30
3 号标准马蹄	3#S	27.40	2.00	12.00	23.70	-	5.30
3 号 HT 马蹄	3#HT	27.40	2.60	12.00	26.80	-	5.30
3 号 H40 马蹄	3#H40	27.40	2.00	12.00	24.60	40.00	5.30
3 号 H20 马蹄	3#H20	27.40	2.00	12.00	24.60	20.00	5.30
4 号标准马蹄	4#S	25.40	2.00	12.00	24.00	-	5.30
4 号 H20 马蹄	4#H20	25.40	2.00	12.00	24.00	20.00	5.30
5 号标准马蹄	5#S	26.50	2.00	12.00	24.00	-	5.30
5 号 H20 马蹄	5#H20	26.50	2.00	12.00	24.00	20.00	5.30
6 号标准马蹄	6#S	30.50	2.50	12.00	26.00	-	5.30
6 号 H20 马蹄	6#H20	30.50	2.50	12.00	26.00	20.00	5.30
7 号标准马蹄	7#S	38.10	2.50	12.00	30.00	-	5.30
7 号 H20 马蹄	7#H20	38.10	2.50	12.00	30.00	20.00	5.30
8 号标准马蹄	8#S	31.75	2.00	12.00	26.00	-	5.30
8 号 H20 马蹄	8#H20	31.75	2.00	12.00	26.00	20.00	5.30
9 号标准马蹄	9#S	30.50	2.00	12.00	25.00	-	5.30
9 号 H20 马蹄	9#H20	30.50	2.00	12.00	25.00	20.00	5.30
10 号标准马蹄	10#S	38.10	2.00	12.00	29.00	-	5.30
10 号 H20 马蹄	10#H20	38.10	2.00	12.00	29.00	20.00	5.30
11 号标准马蹄	11#S	30.00	2.50	12.00	28.00	20.00	5.30

链条材质: 300,400,600 系列不锈钢
Material: 300,400,600 series stainless steel

网带标示方式 Designation

RR-20-18-3.2-3.2
① ② ③ ④

RR-10-10-2.0-2.0
① ② ③ ④

- ① 螺距 Spiral Pitch
- ② 力骨距 Rod Pitch
- ③ 力骨线径 Rod Dia.

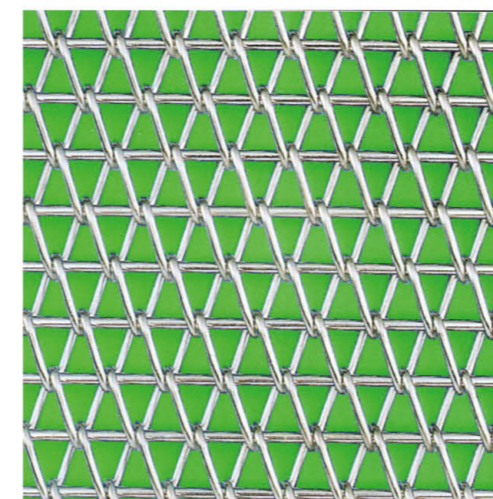
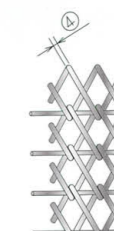


网带标示方式 Designation

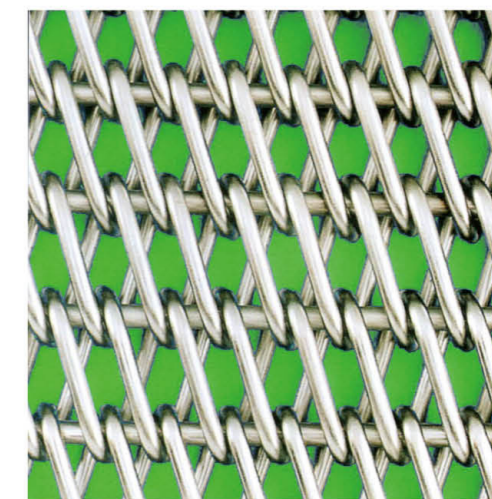
RRW-6-10-5.0-4.0
① ② ③ ④

RRW-7-12-2.6-2.6
① ② ③ ④

- ① 螺距 Spiral Pitch
- ② 力骨距 Rod Pitch
- ③ 力骨线径 Rod Dia.



RR-12-12-2.0-2.0



RRW-12.5-25-5.0-4.0

直心式网带
Rod reinforced belt

RR 一般规格表现方式
Typical specification of RR (nominal size)

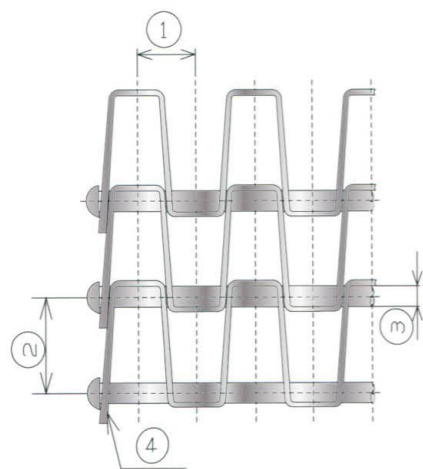
规格 Specification	重量 Weight (kg/m ²)
RR-27-25-4.0-4.0	13.5
RR-25-23-4.0-3.2	17.1
RR-20-18-3.2-3.2	13.9
RR-16-13-3.2-3.2	19.5
RR-13-10-2.6-2.6	16.3
RR-12-12-2.0-2.0	8.7
RR-10-10-2.0-2.0	10.8
RR-12-12-1.6-1.6	5.3
RR-8-6-1.6-1.6	10.3

RRW 一般规格表现方式
Typical specification of RRW (nominal size)

规格 Specification	重量 Weight (kg/m ²)
RRW-12.5-25-5.0-4.0	31.7
RRW-4-12-2.6-2.6	39.1

板式网带
Flat wire belt

■ 网带标示方式 Designation



FW-24.0-27.3-3.0-(1.2X9.5)-H

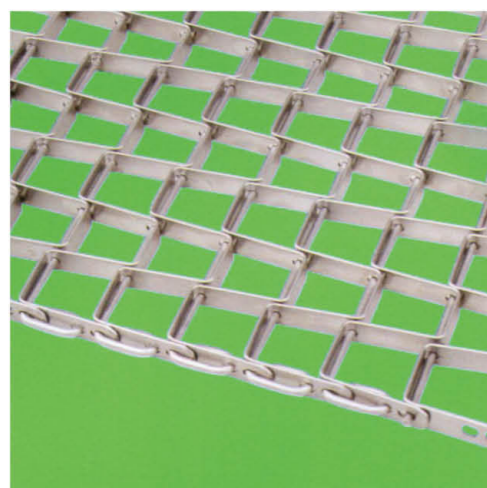
- ① 平板间距 Flat Wire Pitch
- ② 力骨距 Rod Pitch
- ③ 力骨线径 Rod Dia.
- ④ 平板尺寸 Flat Wire Size

■ FW 一般规格表现方式
Typical specifition of FW (nominal size)

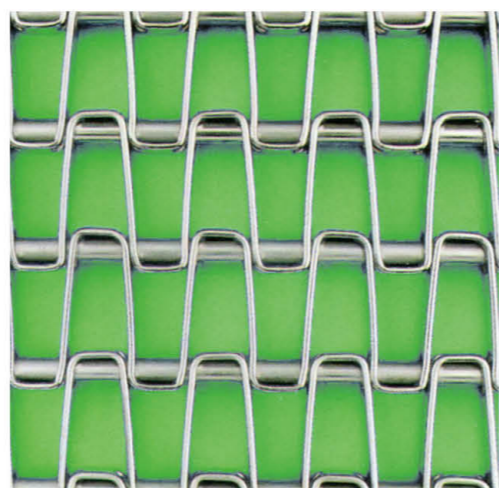
规格 Specification	重量 Weight (kg/m ²)
FW-24.0-27.3-3.0- (1.2x9.5) -H	17.59
FW-18.0-27.4-5.0- (1.5x12.7) -H	22.61
FW-12.7-25.4-3.0- (1.42x9.4) -H	23.89
FW-25.4-25.4-3.0- (1.42x9.4) -H	16.96
FW-26.25-31.75-5.0- (2x15) -H	24.17
FW-32-50-5.0- (1.5x12.7) -H	12.16

■ FW 和 CFW 一般规格表现方式
Typical specifition of FW and CFW (nominal size)

规格 Specification	重量 Weight (kg/m ²)
FW-24.0-27.3-3.0- (1.2x9.5) -C	9.06
FW-16.0-27.4-3.0- (1.2x9.5) -H	11.03
FW-12.7-12.7-3.0- (1.42x9.4) -PH	24.28
FW-24.0-27.3-5.0- (1.5x12.7) -H	16.01
CFW-24.0-27.3-5.0- (1.5x12.7) -H	16.01
CFW-18.0-27.4-5.0- (1.5x12.7) -H	16.95



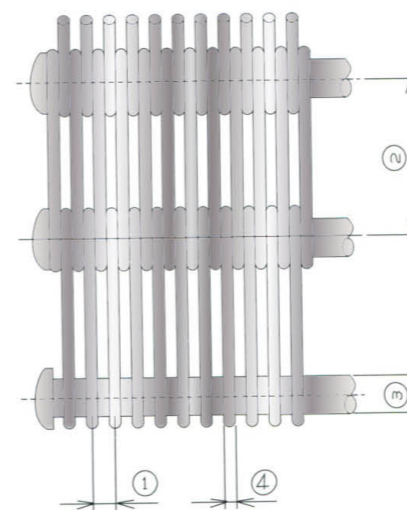
FW-24-27.3-3.0-(1.2x9.5)



FW-16-27.5-5.0-(1.2x12.7)

线圈式网带
Wire ring belt

■ 网带标示方式 Designation



R2 - 4 - 25.4 - 6 - 2.0

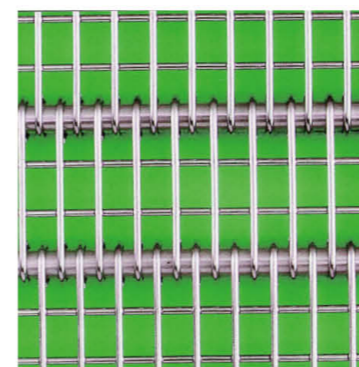
- ① 螺距 Eyelink Pitch
- ② 力骨距 Rod Pitch
- ③ 力骨线径 Rod Dia.
- ④ 线径 Eyelink Dia.

■ R2 一般规格表现方式
Typical specifition of R2 (nominal size)

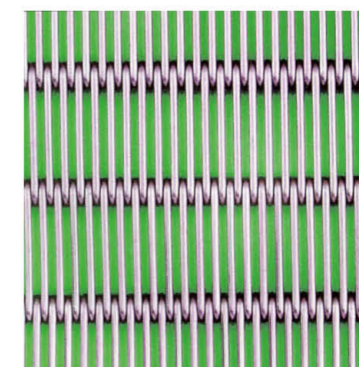
规格 Specification	重量 Weight (kg/m ²)
R2-6-63.5-13.8-3.0	17.59
R2-5.2-63.5-12.0-2.6	22.61
R2-4.6-50.8-8.0-2.3	23.89
R2-4.0-50.8-10.0-2.0	16.96
R2-3.2-50.8-8.0-1.6	24.17
R2-5.2-50-6.0-2.6	12.16
R2-4-50-6.0-2.0	18.0
R2-5.2-50-5.0-2.6	18.8

■ R2 一般规格表现方式
Typical specifition of R2 (nominal size)

规格 Specification	重量 Weight (kg/m ²)
R2-5.2-38.1-7.0-2.6	29.2
R2-4-38.1-8.0-2.0	26.9
R2-3.2-38.1-6.0-1.6	17.4
R2-2.4-38.1-8.0-1.2	18.3
R2-4-31.75-7.0-2.0	27.7
R2-2.4-31.75-5.0-1.2	13.2
R2-2.4-25.4-6.0-2.0	25.5
R2-2.4-25.4-5.0-1.2	15.6
R2-4-25.0-5.0-2.0	22.2



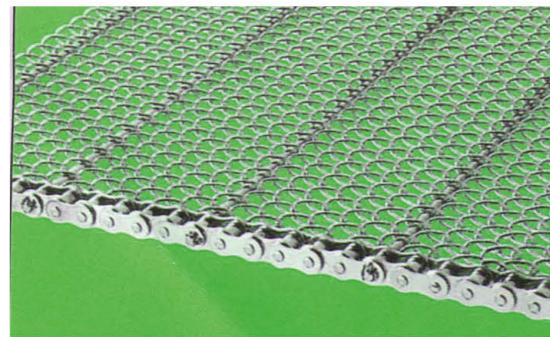
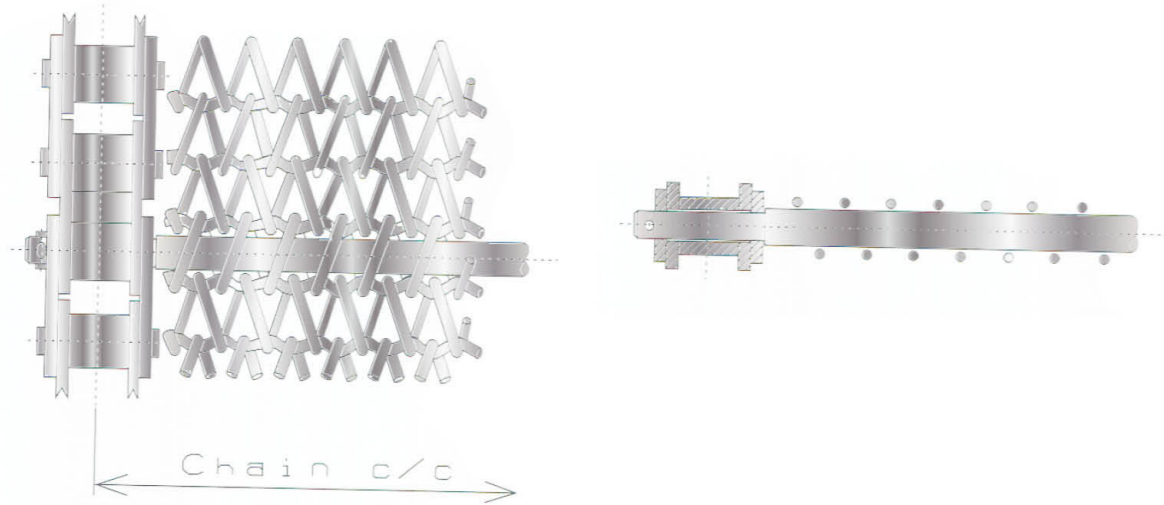
R2-10-38.1-6.0-2.0 (with support wire)



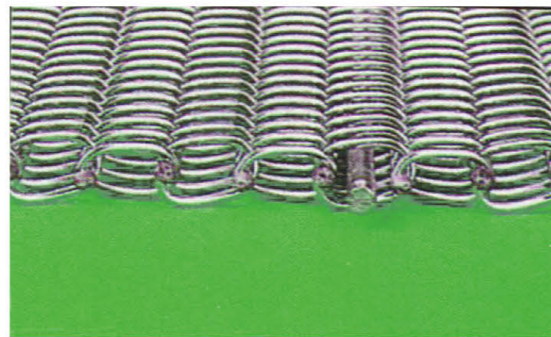
R2-4-31.75-7.0-2.0

链条式网带
Chain driven belt

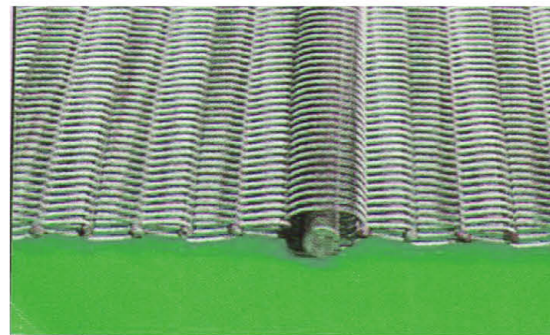
K2 Stay pin type



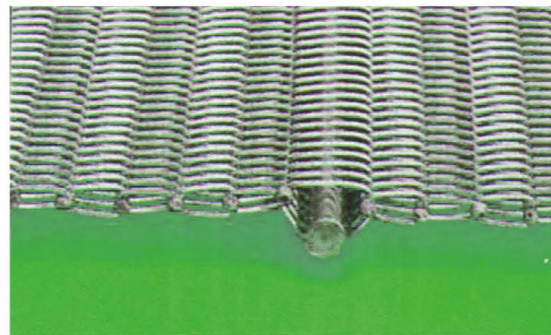
圆钢棒 Stay pin type



一定厚度 Constant thickness pin type

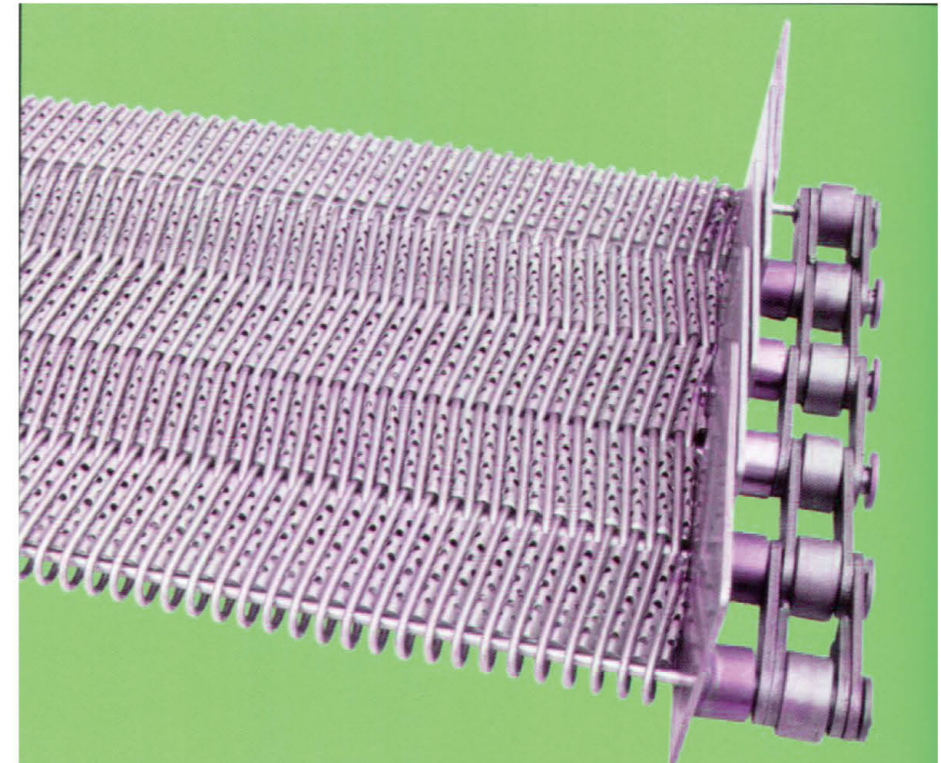


大螺线 With large spiral

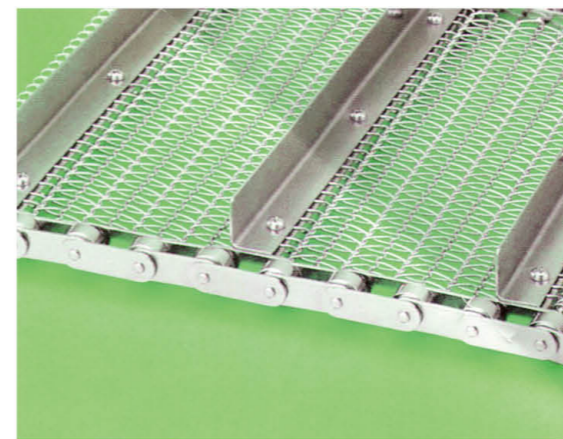


三角形螺线 With triangular spiral

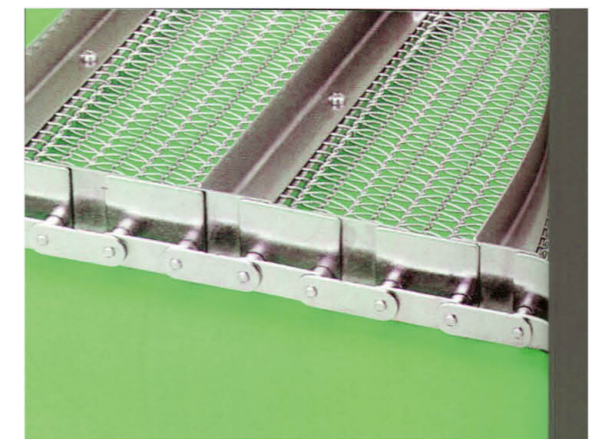
链条式网带
Chain driven belt



波纹板链条网式样



带止动板 With angle product stopper



带挡板、止动板 With side guard and angle product stopper

传动链
Driving chain

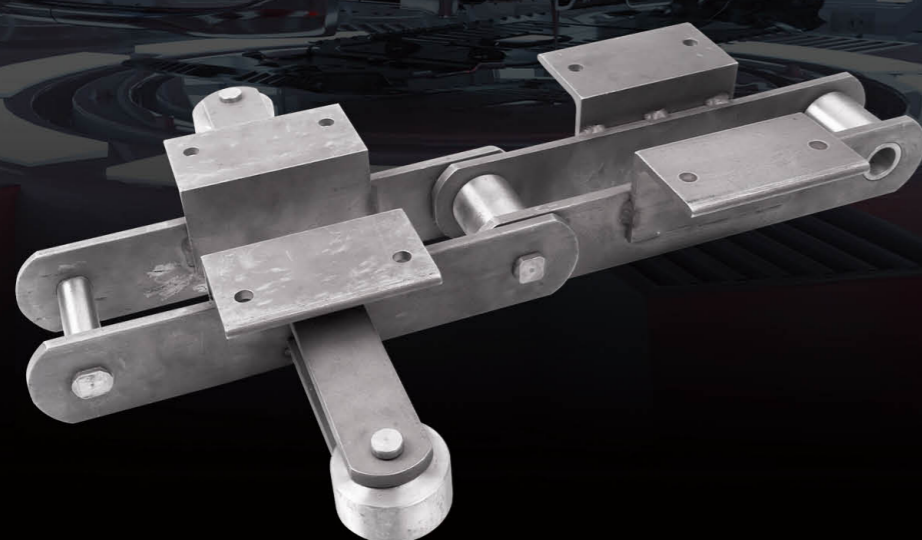
输送带链
Conveyor chain

板式链
Leaf chain

农机链
Agricultural chain

焊接链
Welded chain

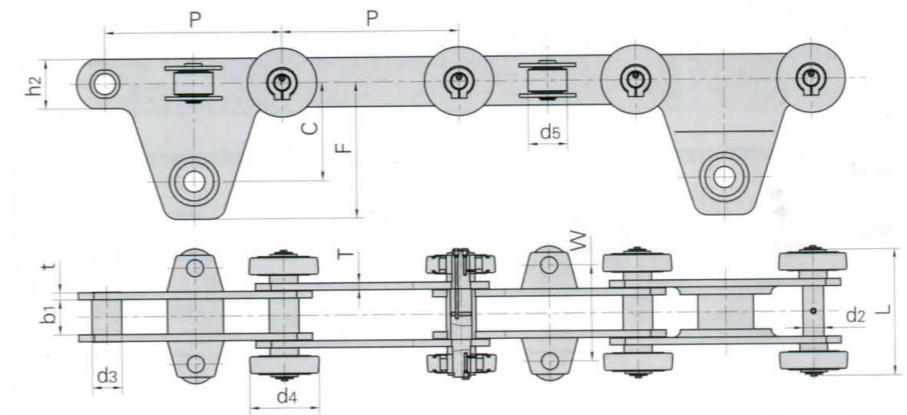
特殊链
Special chain



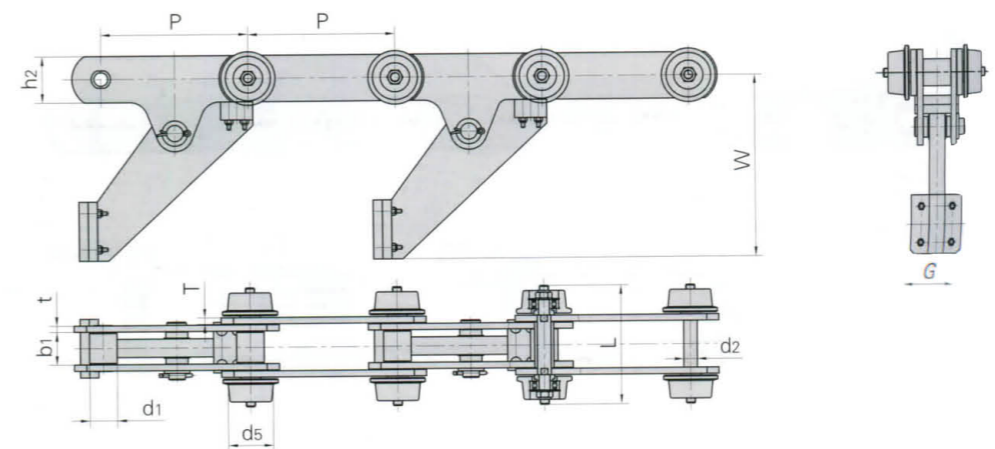
04

汽车生产线链条

Conveyor Chain For Automobile Production Line



Pitch 节距	Bush Diameter 套筒直径	Width Between Inner Plates 内节内宽	Pin Diameter 销轴直径	Pin Length 销轴长度	Inner Plate Height 内链板高度	Plate Thickness 链板厚度	Attachment Dimension 附件尺寸					Ultimate Tensile Strength 极限拉伸载荷
P	d3 max	b1 min	d2 max	L max	h2	t/T	C	F	W	d4	d5	Q min
250.0	42.0	55.0	30.0	182.0	70.0	10.0	140.0	194.0	145.0	98.0	50.0	370.0
250.0	42.0	50.0	30.0	180.0	70.0	10.0	140.0	194.0	137.0	98.0	55.0	500.0
250.0	42.0	55.0	30.0	178.0	70.0	10.0	140.0	194.0	145.0	98.0	42.0	480.0



Pitch 节距	Roller Diameter 滚子直径	Width Between Inner Plates 内节内宽	Pin Diameter 销轴直径	Pin Length 销轴长度	Inner Plate Height 内链板高度	Plate Thickness 链板厚度	Attachment Dimension 附件尺寸			Ultimate Tensile Strength 极限拉伸载荷
P	d1 max	b1 min	d2 max	L max	h2	t/T	G	W	d5	Q min
160.00	30.00	36.00	15.00	131.00	51.00	7.00	65.0	200.0	49.0	160.0

传动链
Driving chain

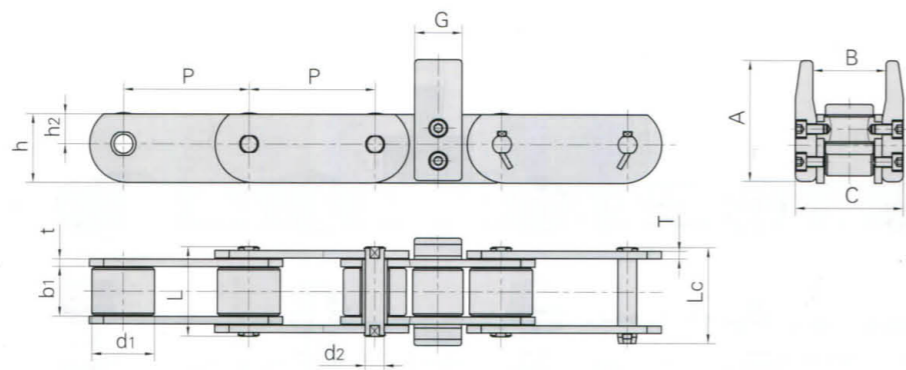
输送带链
Conveyor chain

板式链
Leaf chain

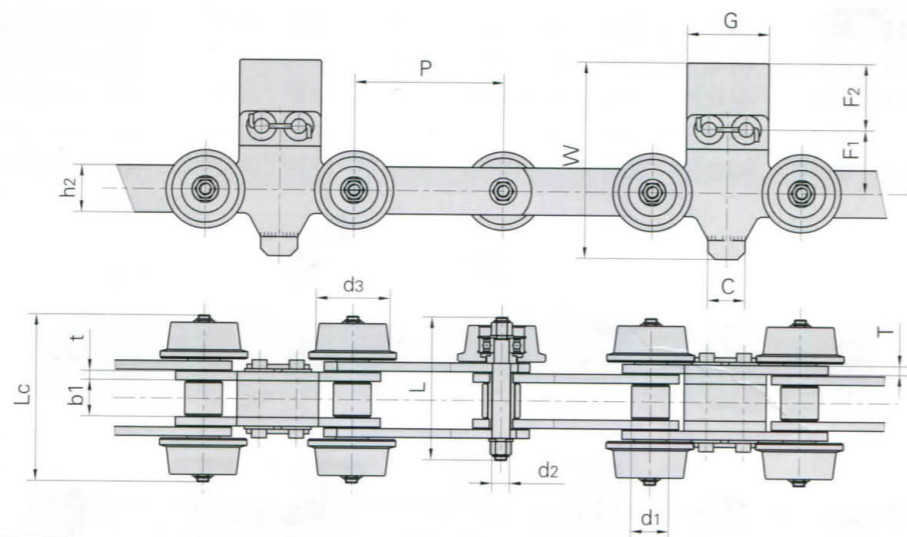
农机链
Agricultural chain

焊接链
Welded chain

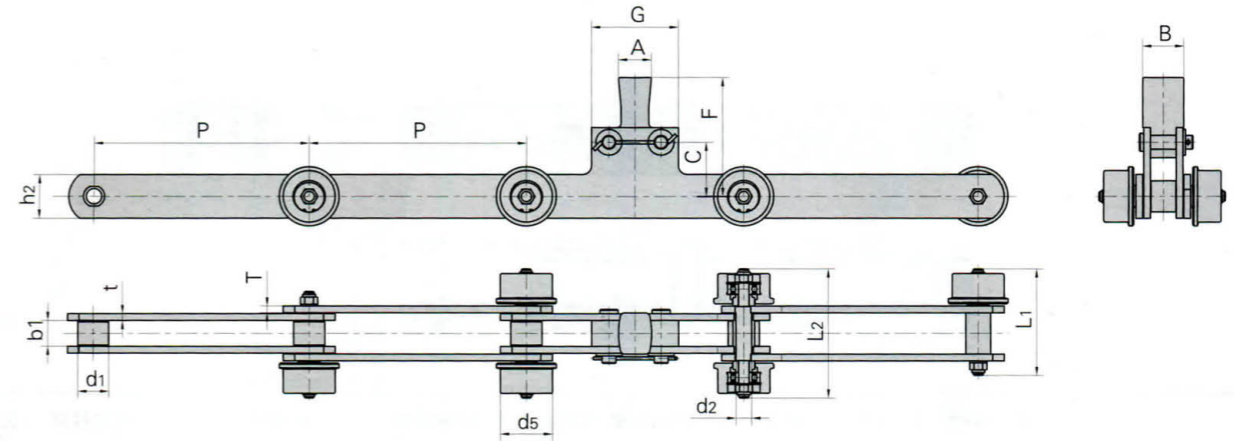
特殊链
Special chain



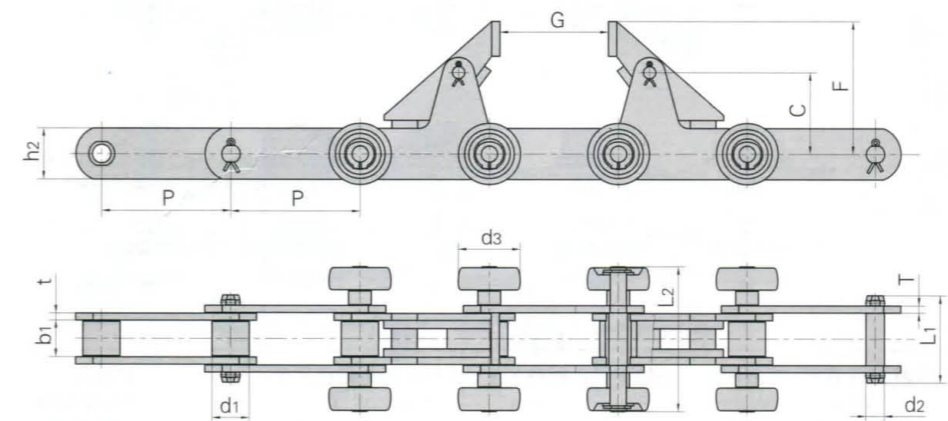
Pitch 节距	Roller Diameter 滚子直径	Width Between Inner Plates 内节内宽	Pin Diameter 销轴直径	Pin Length 销轴长度		Inner Plate Height 内链板高度		Plate Thickness 链板厚度		Attachment Dimension 附件尺寸				Ultimate Tensile Strength 极限拉伸载荷	Weight Per Meter 每米重量
				L max	Lc max	h2	h	t/T	A	B	C	G			
P	d1 max	b1 min	d2 max	L max	Lc max	h2	h	t/T	A	B	C	G	Q min	q	
mm	mm	mm	mm	mm	mm	mm	mm	mm	mm	mm	mm	mm	KN	kg/m	
100.0	50.0	40.0	15.0	79.8	84.9	24.0	55.0	8.0	87.0	70.0	90.0	37.5	200.0	16.0	
100.0	50.0	40.0	12.0	71.0	76.5	24.0	55.0	6.0	87.0	60.0	86.0	40.0	120.0	37.0	
100.0	50.0	40.0	15.0	71.8	76.9	24.0	55.0	6.0	97.0	58.0	86.0	40.0	120.0	14.0	
125.0	50.0	40.0	18.0	71.8	76.9	24.0	55.0	6.0	97.0	58.0	86.0	40.0	120.0	13.8	



Pitch 节距	Roller Diameter 滚子直径	Width Between Inner Plates 内节内宽	Pin Diameter 销轴直径	Pin Length 销轴长度		Inner Plate Height 内链板高度	Plate Thickness 链板厚度	Attachment Dimension 附件尺寸						Ultimate Tensile Strength 极限拉伸载荷
				L max	LC max			C	F1	F2	G	W	d3	
P	d1 max	b1 min	d2 max	L max	LC max	h2	t/T	C	F1	F2	G	W	d3	Q min
mm	mm	mm	mm	mm	mm	mm	mm	mm	mm	mm	mm	mm	mm	KN
100.0	25.4	24.5	12.0	-	113.0	32.0	6.0	25.0	36.0	27.5	46.0	106.0	45.0	126.0
100.0	25.4	24.5	12.0	97.0	113.0	32.0	6.0	25.0	43.0	30.0	55.0	118.0	45.0	80.0
100.0	25.4	24.5	12.0	93.5	113.0	32.0	6.0	25.0	36.0	34.0	45.0	112.5	45.0	126.0
100.0	25.4	24.5	12.0	93.5	113.0	32.0	6.0	25.0	36.0	28.0	34.0	106.5	45.0	126.0
100.0	25.4	25.0	12.0	97.0	113.0	32.0	6.0	25.0	43.0	45.0	55.0	133.0	49.7	80.0



Pitch 节距	Roller Diameter 滚子直径	Width Between Inner Plates 内节内宽	Pin Diameter 销轴直径	Pin Length 销轴长度		Inner Plate Height 内链板高度	Plate Thickness 链板厚度	Attachment Dimension 附件尺寸						Ultimate Tensile Strength 极限拉伸载荷
				L1 max	L2 max			A	B	C	F	G	d5	
P	d1 max	b1 min	d2 max	L1 max	L2 max	h2	t/T	A	B	C	F	G	d5	Q min
mm	mm	mm	mm	mm	mm	mm	mm	mm	mm	mm	mm	mm	mm	KN
200.0	36.0	30.00	18.0	123.0	152.0	51.0	8.0	38.0	48.0	63.0	138.0	100.0	59.5	160.0
250.0	36.0	30.0	18.0	124.0	150.0	51.0	8.0	38.0	48.0	63.0	138.0	100.0	60.0	160.0
250.0	36.0	30.0	18.0	126.0	150.0	51.0	8.0	38.0	48.0	63.0	138.0	100.0	65.0	160.0
200.0	60.0	44.0	30.0	162.5	190.0	82.0	12.0	38.0	55.0	65.0	140.0	140.0	84.7	450.0
200.0	60.0	44.0	30.0	165.5	190.0	82.0	12.0	38.0	55.0	65.0	140.0	140.0	84.7	450.0
250.0	60.0	44.0	30.0	162.5	190.0	82.0	12.0	38.0	55.0	65.0	140.0	140.0	80.0	450.0
250.0	60.0	40.0	30.0	-	180.0	82.0	12.0	38.0	55.0	65.0	140.0	140.0	84.0	450.0



Pitch 节距	Roller Diameter 滚子直径	Width Between Inner Plates 内节内宽	Pin Diameter 销轴直径	Pin Length 销轴长度		Inner Plate Height 内链板高度	Plate Thickness 链板厚度	Attachment Dimension 附件尺寸				Ultimate Tensile Strength 极限拉伸载荷
				L1 max	L2 max			C	F	G	d3	
P	d1 max	b1 min	d2 max	L1 max	L2 max	h2	t/T	C	F	G	d3	Q min
mm	mm	mm	mm	mm	mm	mm	mm	mm	mm	mm	mm	KN
125.00	36.00	36.00	18.00	85.50	142.00	50.00	7.00	80.0	130.0	105.0	60.0	160.0

传动链
Driving chain

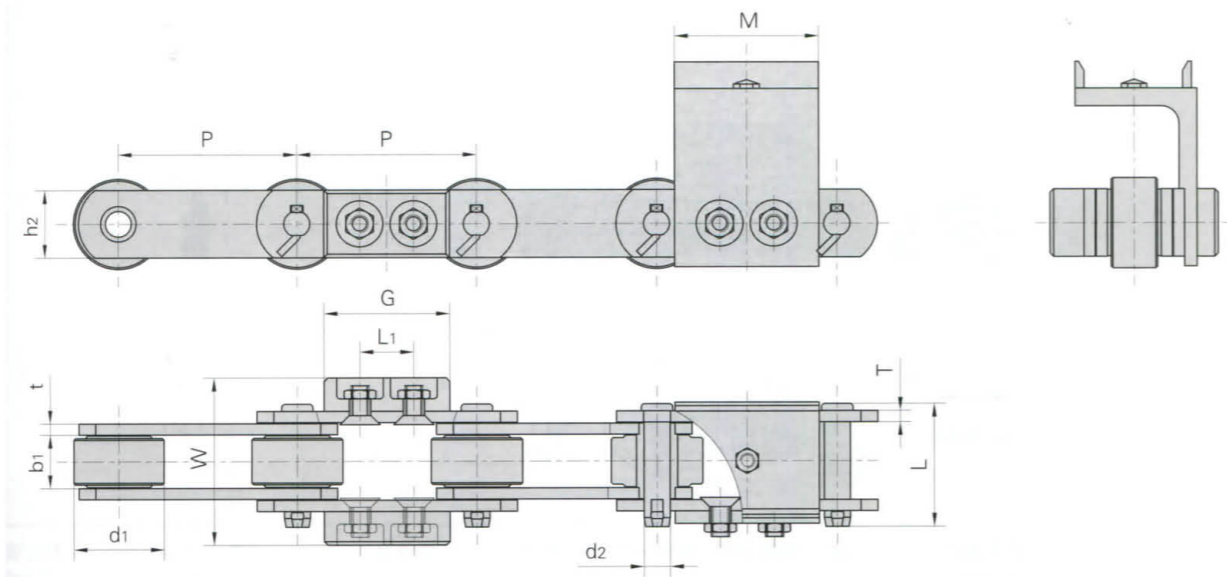
输送带链
Conveyor chain

板式链
Leaf chain

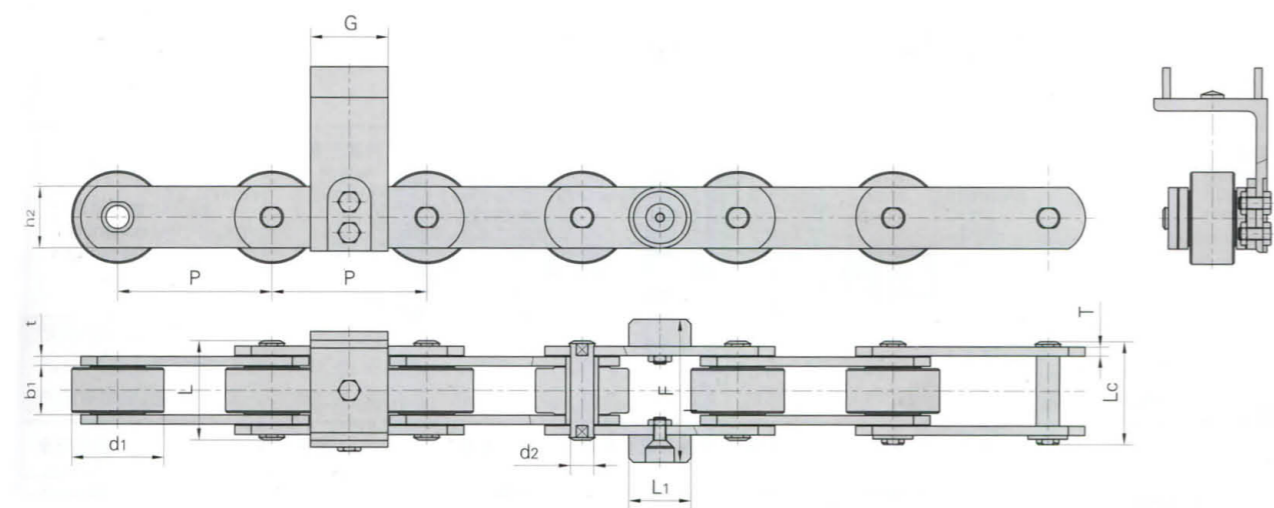
农机链
Agricultural chain

焊接链
Welded chain

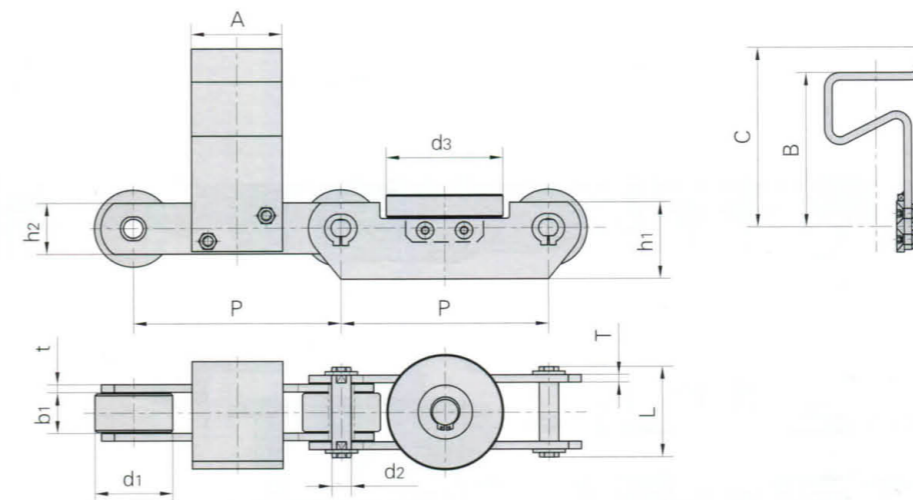
特殊链
Special chain



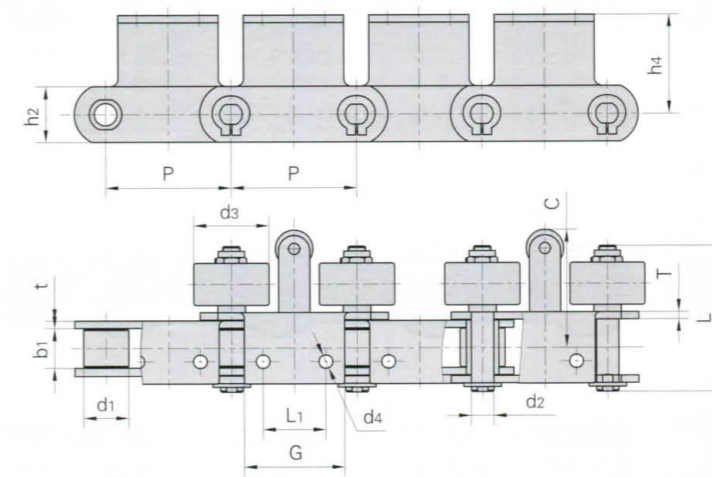
Pitch 节距	Roller Diameter 滚子直径	Width Between Inner Plates 内节内宽	Pin Diameter 销轴直径	Pin Length 销轴长度	Inner Plate Height 内链板高度	Plate Thickness 链板厚度	Attachment Dimension 附件尺寸				Ultimate Tensile Strength 极限拉伸载荷	Weight Per Meter 每米重量
P	d1 max	b1 min	d2 max	L max	h2	t/T	L1	G	W	M	Q min	q
mm	mm	mm	mm	mm	mm	mm	mm	mm	mm	mm	KN/lbf	kg/m
100.0	50.8	30.0	14.5	69.0	38.1	6.3	30.0	70.0	94.0	80.0	100.0/22480	10.3



Pitch 节距	Roller Diameter 滚子直径	Width Between Inner Plates 内节内宽	Pin Diameter 销轴直径	Pin Length 销轴长度	Inner Plate Height 内链板高度	Plate Thickness 链板厚度	Attachment Dimension 附件尺寸				Ultimate Tensile Strength 极限拉伸载荷	Weight Per Meter 每米重量
P	d1 max	b1 min	d2 max	L max	Lc max	h2	t/T	L1	G	F	Q min	q
mm	mm	mm	mm	mm	mm	mm	mm	mm	mm	mm	KN	kg/m
100.0	60.0	32.0	15.0	64.5	68.5	40.0	6.0	40.0	50.0	93.5	112.0/25177	16.6



Pitch 节距	Roller Diameter 滚子直径	Width Between Inner Plates 内节内宽	Pin Diameter 销轴直径	Pin Length 销轴长度	Inner Plate Height 内链板高度	Plate Thickness 链板厚度	Attachment Dimension 附件尺寸				Ultimate Tensile Strength 极限拉伸载荷	
P	d1 max	b1 min	d2 max	L max	h1	h2	t/T	A	B	C	d3	Q min
mm	mm	mm	mm	mm	mm	mm	mm	mm	mm	mm	mm	KN
160.0	60.0	32.0	15.0	71.0	60.0	40.0	6.0	70.0	120.0	140.0	90.0	140.0



Pitch 节距	Roller Diameter 滚子直径	Width Between Inner Plates 内节内宽	Pin Diameter 销轴直径	Pin Length 销轴长度	Inner Plate Height 内链板高度	Plate Thickness 链板厚度	Attachment Dimension 附件尺寸						Ultimate Tensile Strength 极限拉伸载荷
P	d1 max	b1 min	d2 max	L max	h2	t/T	C	L1	G	h4	d3	d4	Q min
mm	mm	mm	mm	mm	mm	mm	mm	mm	mm	mm	mm	mm	KN
100.0	36.0	32.0	18.0	119.0	45.0	6.0	95.0	50.0	80.0	80.0	60.0	11.0	112.0
100.0	36.0	32.0	18.0	111.5	45.0	6.0	95.0	50.0	80.0	80.0	60.0	12.0	112.0
100.0	45.0	36.0	25.0	133.2	62.0	8.0	107.5	90.0	140.0	120.0	70.0	11.0	224.0
250.0	43.0	36.0	21.0	135.3	60.0	8.0	101.0	140.0	190.0	80.0	65.0	12.0	224.0

传动链
Driving chain

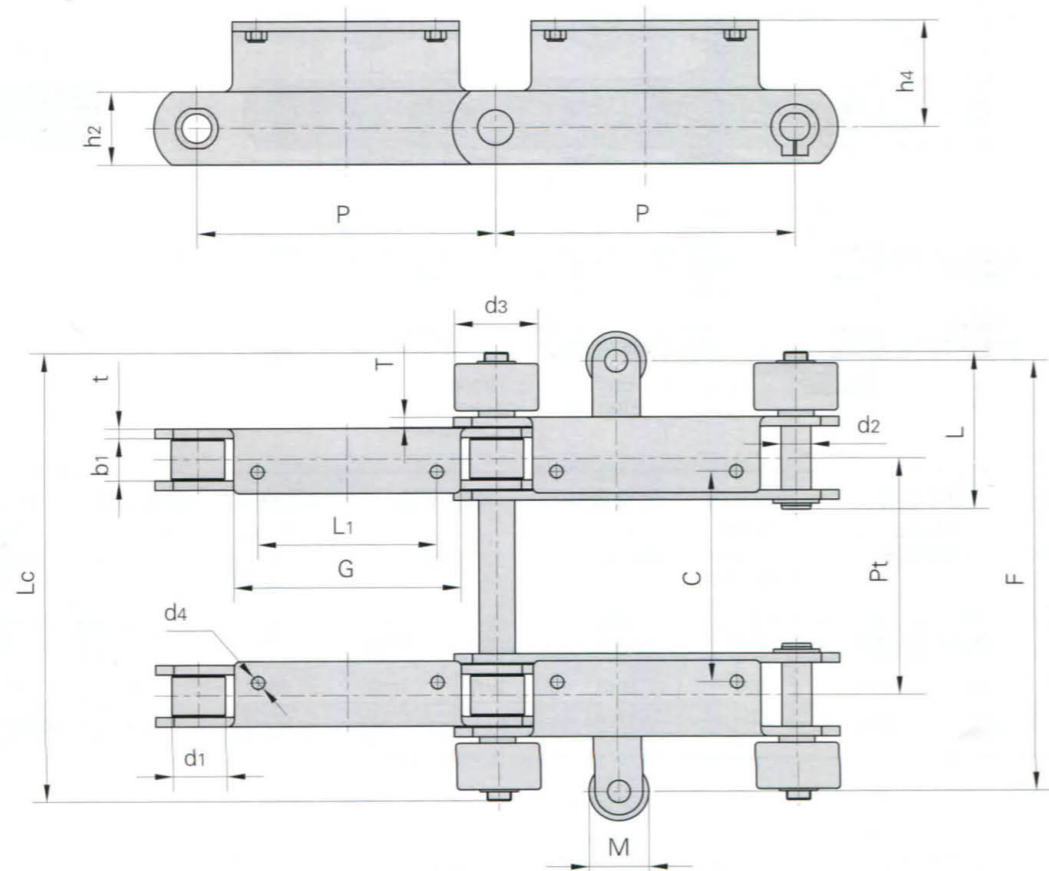
输送带链
Conveyor chain

板式链
Leaf chain

农机链
Agricultural chain

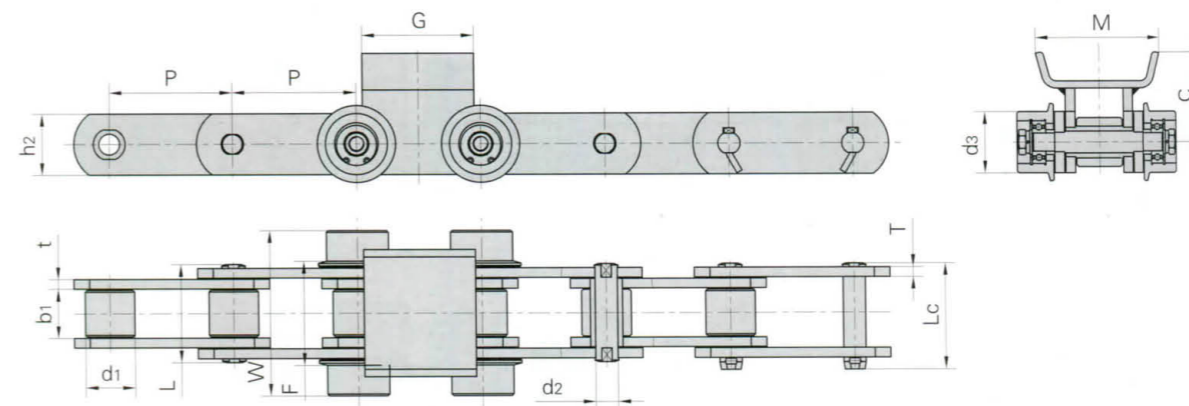
焊接链
Welded chain

特殊链
Special chain



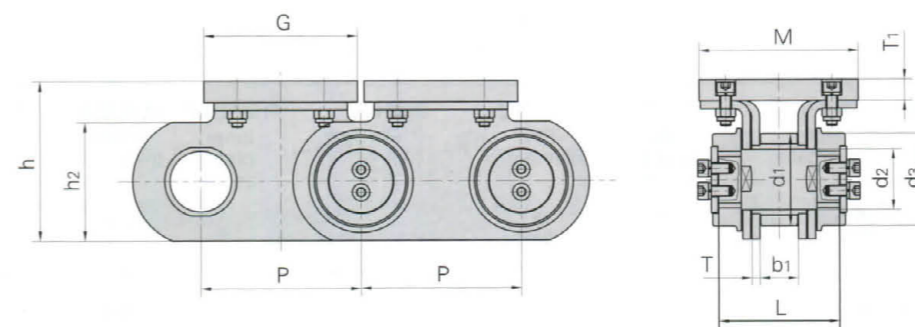
Pitch 节距	Roller Diameter 滚子直径		Width Between Inner Plates 内节内宽		Pin Length 销轴长度		Inner Plate Height 内链板高度	Plate Thickness 链板厚度	Ultimate Tensile Strength 极限拉伸载荷	Weight Per Meter 每米重量
P	d1 max	d3 max	b1 min	d2 max	L max	Lc max	h2	t/T	Q min	q
mm	mm	mm	mm	mm	mm	mm	mm	mm	KN	kg/m
250.0	50.0	80.0	47.0	25.0	152.2	716.8	72.0	10.0	224.0	59.2
250.0	45.0	70.0	36.0	25.0	133.0	380.0	62.0	8.0	224.0	43.4
250.0	50.0	80.0	47.0	25.0	152.2	1016.8	72.0	10.0	224.0	60.0

P	L1	G	C	F	Pt	h4	M	d4
mm	mm	mm	mm	mm	mm	mm	mm	mm
250.0	140.0	180.0	518.0	658.0	518.0	90.0	50.0	11.0
250.0	150.0	190.0	178.0	365.0	200.0	90.0	50.0	12.0
250.0	140.0	180.0	818.0	958.0	818.0	90.0	50.0	11.0



Pitch 节距	Roller Diameter 滚子直径		Width Between Inner Plates 内节内宽		Pin Length 销轴长度		Inner Plate Height 内链板高度	Plate Thickness 链板厚度	Ultimate Tensile Strength 极限拉伸载荷	Weight Per Meter 每米重量
P	d1 max	d3 max	b1 min	d2 max	L max	Lc max	h2	t/T	Q min	q
mm	mm	mm	mm	mm	mm	mm	mm	mm	KN	kg/m
100.0	40.0	50.0	40.0	18.0	80.5	87.5	50.0	8.0	200.0	15.5

C	F	W	G	M
mm	mm	mm	mm	mm
77.0	85.0	135.0	90.0	105.0



Pitch 节距	Roller Diameter 滚子直径	Width Between Inner Plates 内节内宽	Pin Diameter 销轴直径	Pin Length 销轴长度	Inner Plate Height 内链板高度	Plate Thickness 链板厚度	Attachment Dimension 附件尺寸					Ultimate Tensile Strength 极限拉伸载荷	Weight Per Meter 每米重量
P	d1 max	b1 min	d2 max	L max	h2	t/T	C	L1	G	h4	d3	Q min	q
mm	mm	mm	mm	mm	mm	mm	mm	mm	mm	mm	mm	KN	kg/m
100.0	70.0	29.0	46.0	114.0	90.0	6.0	95.0	120.0	115.0	16.0	70.0	400.0	39.6
120.0	70.0	29.0	46.0	91.0	90.0	6.0	115.0	120.0	121.0	16.0	70.0	300.0	50.2
120.0	70.0	29.0	46.0	91.0	90.0	6.0	115.0	120.0	121.0	5.0	70.0	300.0	41.8

传动链
Driving chain

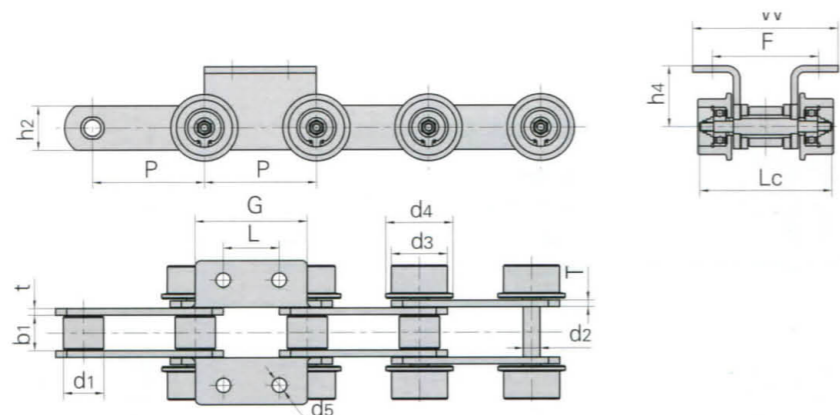
输送带链
Conveyor chain

板式链
Leaf chain

农机链
Agricultural chain

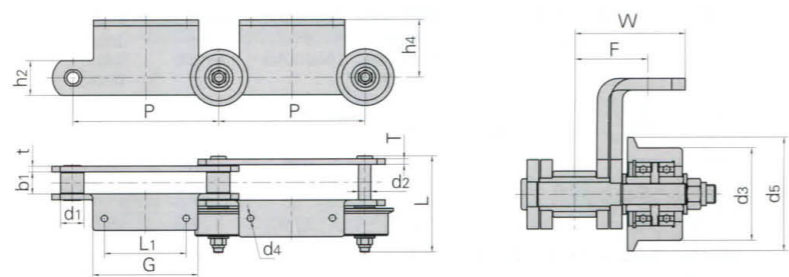
焊接链
Welded chain

特殊链
Special chain



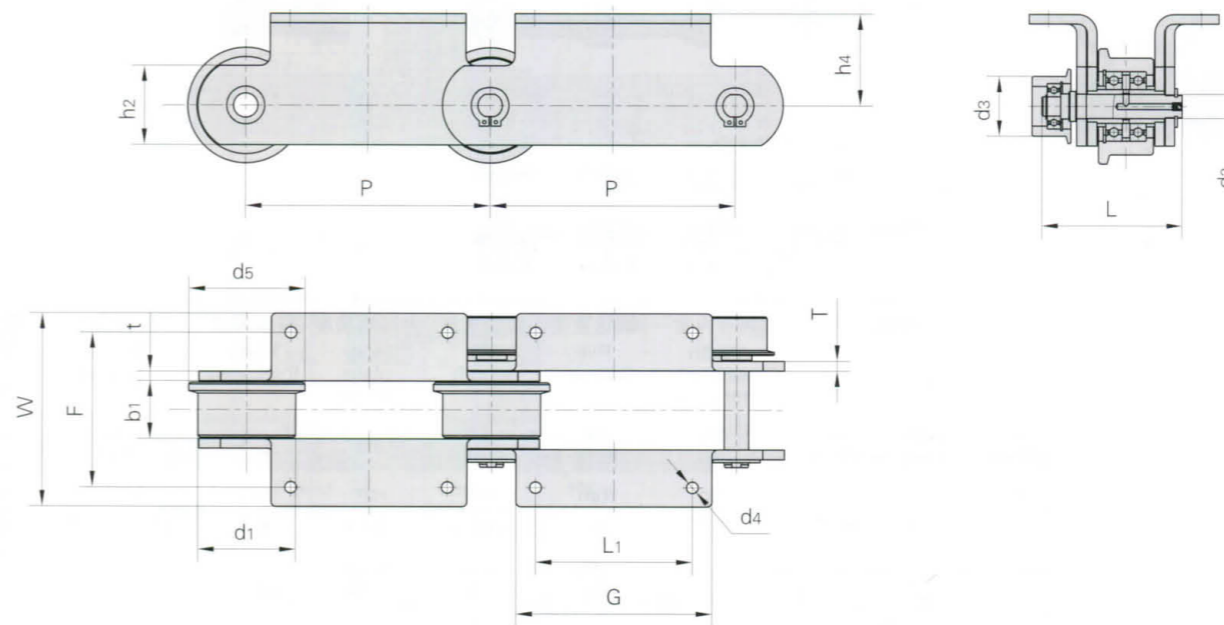
Pitch 节距	Roller Diameter 滚子直径			Width Between Inner Plates 内节内宽		Pin Diameter 销轴直径	Pin Length 销轴长度	Inner Plate Height 内链板高度	Plate Thickness 链板厚度	Ultimate Tensile Strength 极限拉伸载荷	Weight Per Meter 每米重量
P	d1 max	d3 max	d4 max	b1 min	d2 max	Lc max	h2	t/T	Q min	q	
mm	mm	mm	mm	mm	mm	mm	mm	mm	KN/lbf	kg/m	
100.0	36.0	50.0	60.0	32.0	15.0	118.0	40.0	6.0	100.0/22480	14.8	

L	G	F	W	h4	d5
mm	mm	mm	mm	mm	mm
50.0	100.0	95.0	130.0	55.0	13.0



Pitch 节距	Roller Diameter 滚子直径			Width Between Inner Plates 内节内宽		Pin Diameter 销轴直径	Pin Length 销轴长度	Inner Plate Height 内链板高度	Plate Thickness 链板厚度	Ultimate Tensile Strength 极限拉伸载荷	Weight Per Meter 每米重量
P	d1 max	d3 max	d5 max	b1 min	d2 max	L max	h2	t/T	Q min	q	
mm	mm	mm	mm	mm	mm	mm	mm	mm	KN	kg/m	
250.0	40.0	80.0	98.0	38.0	21.0	166.0	60.0	10.0	224.0	27.4	
250.0	45.0	80.0	98.0	38.0	25.0	166.0	80.0	10.0	315.0	30.5	
250.0	50.0	80.0	98.0	38.0	30.0	173.5	90.0	12.0	450.0	37.5	

L1	G	F	W	h4	d4
mm	mm	mm	mm	mm	mm
140.0	180.0	62.0	89.2	100.0	11.0
140.0	180.0	62.0	82.5	100.0	11.0
140.0	180.0	66.0	97.5	100.0	11.5



Pitch 节距	Roller Diameter 滚子直径			Width Between Inner Plates 内节内宽		Pin Diameter 销轴直径	Pin Length 销轴长度	Inner Plate Height 内链板高度	Plate Thickness 链板厚度	Ultimate Tensile Strength 极限拉伸载荷	Weight Per Meter 每米重量
P	d1 max	d3 max	d5 max	b1 min	d2 max	L max	h2	t/T	Q min	q	
mm	mm	mm	mm	mm	mm	mm	mm	mm	KN	kg/m	
250.0	100.0	65.0	120.0	73.0	25.0	180.8	70.0	10.0	315.0	47.6	
250.0	40.0	72.0	-	25.0	25.0	127.0	50.0	8.0	160.0	18.7	
250.0	100.0	65.0	120.0	73.0	25.0	168.0	70.0	8.0	315.0	43.3	
250.0	100.0	65.0	120.0	75.0	25.0	188.0	70.0	11.5	315.0	58.8	
250.0	100.0	62.0	120.0	60.0	25.0	155.0	82.0	10.0	450.0	42.5	
250.0	100.0	62.0	119.0	60.0	25.0	145.8	82.0	10.0	520.0	43.0	

P	L1	G	F	W	h4	d4
mm	mm	mm	mm	mm	mm	mm
250.0	110.0	170.0	180.0	230.0	105.00	11.00
250.0	125.0	180.0	90.0	122.0	54.00	11.00
250.0	110.0	150.0	170.0	210.0	105.00	11.00
250.0	110.0	170.0	180.0	220.0	105.00	12.00
250.0	160.0	200.0	160.0	200.0	95.00	12.00
250.0	160.0	200.0	160.0	200.0	95.00	12.00

传动链
Driving chain

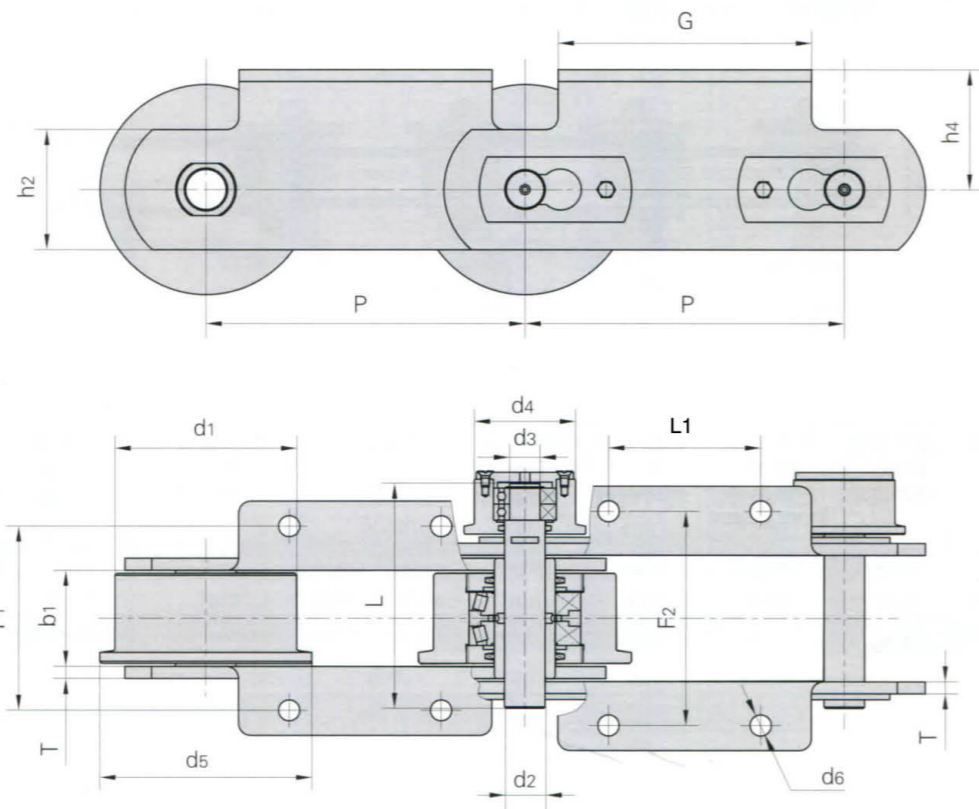
输送带链
Conveyor chain

板式链
Leaf chain

农机链
Agricultural chain

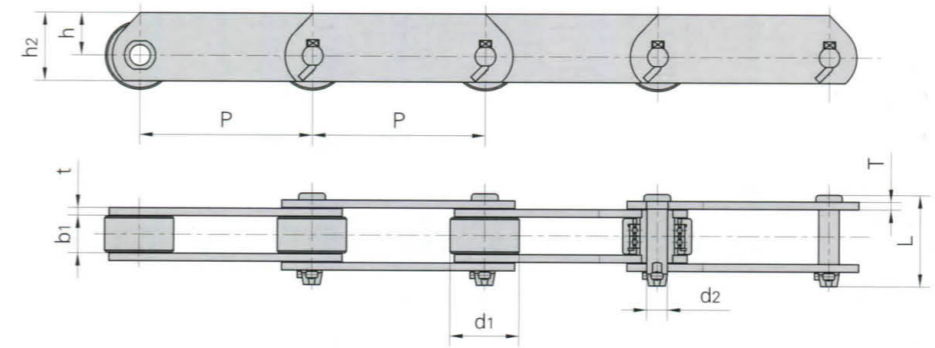
焊接链
Welded chain

特殊链
Special chain

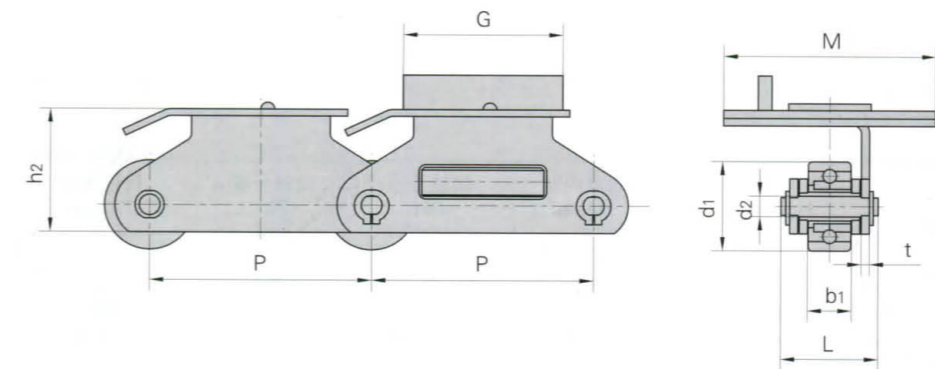


Pitch 节距	Roller Diameter 滚子直径			Width Between Inner Plates 内节内宽		Pin Diameter 销轴直径		Pin Length 销轴长度	Ultimate Tensile Strength 极限拉伸载荷		Weight Per Meter 每米重量
	P	d1 max	d4 max	d5 max	b1 min	d2 max	d3 max		Q min	q	
315	180.0	100.0	210.0	90.0	40.0	30.0	217.0	100.0	110.0		

P	L1	G	F1	F2	h4	h2	d6	T
315	150.0	250.0	180.0	206.0	120.0	120.0	21.0	12.0



Pitch 节距	Roller Diameter 滚子直径	Width Between Inner Plates 内节内宽	Pin Diameter 销轴直径	Pin Length 销轴长度	Plate Height 链板高度		Plate Thickness 链板厚度	Ultimate Tensile Strength 极限拉伸载荷	Average Tensile Strength 平均拉伸载荷	Weight Per Meter 每米重量
P	d1 max	b1 min	d2 max	L max	h	h2	t/T	Q min	Q0	q
100.0	40.0	22.0	12.0	53.5	25.0	40.0	4.5	63.0	68.6	5.1



Pitch 节距	Roller Diameter 滚子直径	Width Between Inner Plates 内节内宽	Pin Diameter 销轴直径	Pin Length 销轴长度	Plate Thickness 链板厚度	Attachment Dimension 附件尺寸			Ultimate Tensile Strength 极限拉伸载荷
P	d1 max	b1 min	d2 max	L max	t/T	G	M	h2	Q min
160.0	65.0	32.0	15.00	71.0	6.0	115.0	154.0	70.0	140.0

传动链
Driving chain

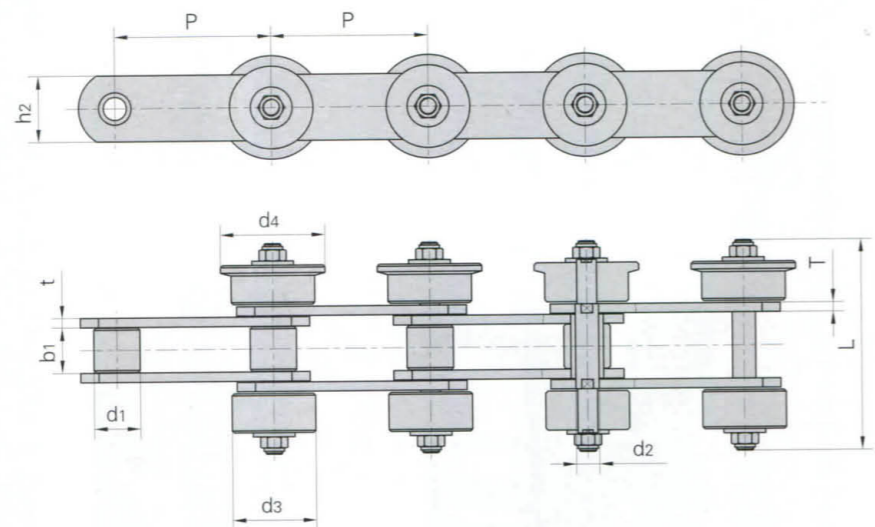
输送带链
Conveyor chain

板式链
Leaf chain

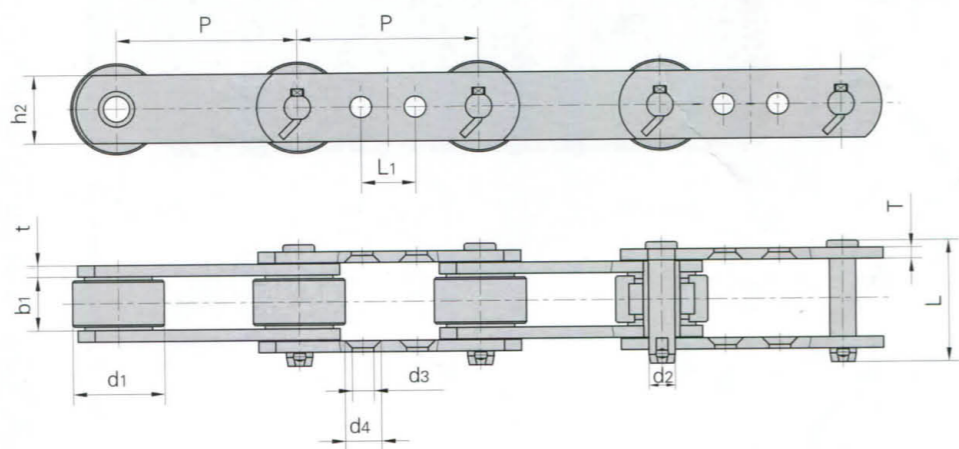
农机链
Agricultural chain

焊接链
Welded chain

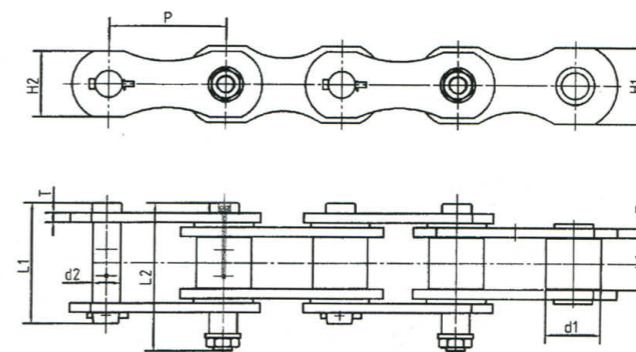
特殊链
Special chain



Pitch 节距	Roller Diameter 滚子直径			Width Between Inner Plates 内节内宽		Pin Diameter 销轴直径	Pin Length 销轴长度	Inner Plate Height 内链板高度	Plate Thickness 链板厚度	Ultimate Tensile Strength 极限拉伸载荷	Weight Per Meter 每米重量
	P	d1 max	d3 max	d4 max	b1 min	d2 max	L max	h2	t/T	Q min	q
75.0	22.2	40.0	49.0	22.0	11.1	102.0	32.0	4.5	58.3	9.3	



Pitch 节距	Roller Diameter 滚子直径	Width Between Inner Plates 内节内宽	Pin Diameter 销轴直径	Pin Length 销轴长度	Inner Plate Height 内链板高度	Plate Thickness 链板厚度	Attachment Dimension 附件尺寸			Ultimate Tensile Strength 极限拉伸载荷	Weight Per Meter 每米重量
	P	d1 max	b1 min	d2 max	L max	h2	t/T	L1	d3	d4	Q min
100	50.8	30.0	14.5	69.0	38.1	6.3	30.0	12.0	20.0	96.0	8.75



港机斗提链
Port bucket elevator chain

Pitch 节距	Width Between Inner Plates 内节内宽	Roller Diameter 滚子直径	Pin 销轴			Plate 链板			Ultimate Tensile Strength 极限拉伸载荷	Weight Per Meter 每米重量
	b1	d1	d2	L1	L2	H1	H2	T	min	q ≈
350	158	165	82	362.5	446	234	199	28	5000	220
300	122	125	62.5	275	336	185	160	19	3850	140
250	130	130	65	320	373	175	150	25	3870	190
325	92	125	62	228	324	195	175	19	3870	130

传动链
Driving chain

输送带链
Conveyor chain

板式链
Leaf chain

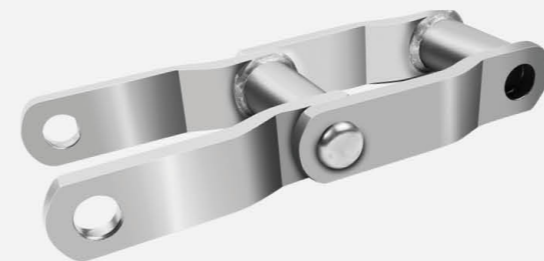
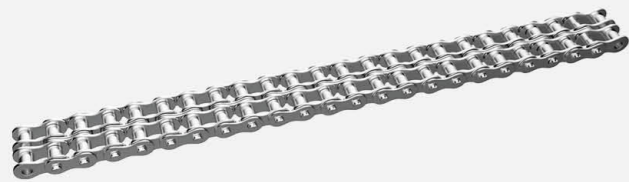
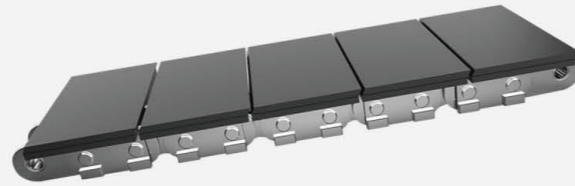
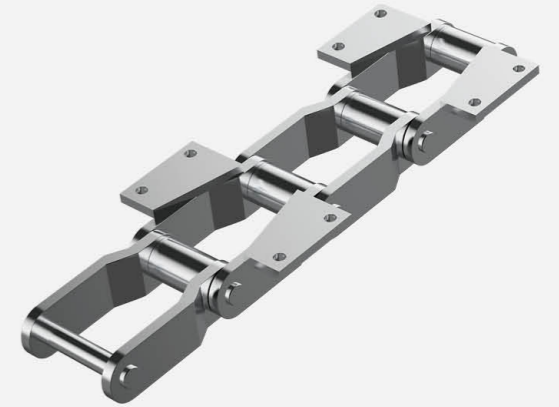
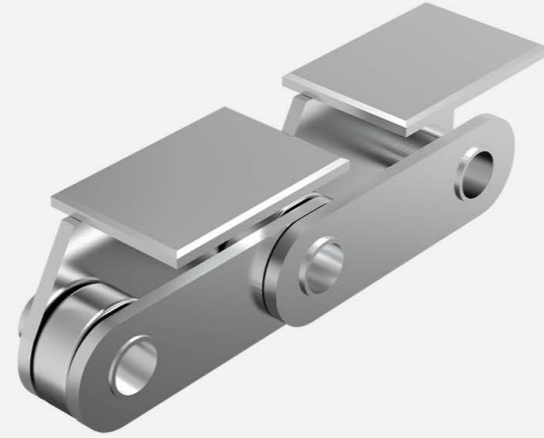
农机链
Agricultural chain

焊接链
Welded chain

特殊链
Special chain

产品展示 (输送链)

Product display (Conveyor chain)



产品展示 (食品链)

Product display (food chain)

